

THINK SAFETY, THINK GODREJ LOCKS.

# Architectural Hardware





THINK SAFETY, THINK GODREJ LOCKS.

We co-create our reality  
with others in unseen ways.

- *Doug Dillon*

You are the creator of your own perceived reality.  
Don't be a creation of circumstances,  
always take full control of your destiny.

- *Steven Redhead*

# index

---

Foreword	04
About Us	06
Patch Fittings	09
Shower Fittings	34
Sliding System	58
Floor Springs	65
Balustrades	73
Spider Fittings	83
Door Closers	100
Automatic Doors	109
Panic Bars	115
Furniture Fittings	121
Door Control Devices	132
Basic Terminologies	134
Standards & Approvals	135

---

## Foreword

Technology is an integral part of our lives today. A part that is constantly evolving as new innovations come in and change our lives for the better. We always seek the new – availing the benefits of technology to add more convenience, more security, more comfort to our lives.

At Godrej Locking Solutions and Systems, we keep a finger on the pulse of our customers. Inspired by their needs, we seek to blend innovation and technology, to offer solutions that perfectly match their needs. This has been our philosophy for the past 120 years, during which we've built a bond of trust, as well as a reputation for quality, technology and aesthetics, with our customers.

Today, we are seeing rapid advancement in the field of infrastructural development. Due to which, there is a growing need for quality architectural hardware and door controls. To meet this, Godrej Locking Solutions and Systems has launched world-class products, the result of in-depth research, innovation and state-of-the-art technology.

Our range has been designed to fit perfectly into today's hi-tech residential and commercial establishments. The creativity of our team comes to the fore, as our products cater to your needs for security, privacy, fire & smoke checks and energy saving with ease. Our devices meet international quality standards like UL Rating, EN Rating, CE Certification and fire-rated. This brochure will give you comprehensive details on our architectural hardware range.

Going forward, we will continue to innovate premium, comprehensive hardware solutions. For us, perfection will always lie in the details, and our solutions will remain extremely secure and robust, easy to install and operate, and flexible to meet the challenges of diverse applications.

Today, we are recognised across the globe for our world-class locking solutions. With our architectural hardware range, we aim to strengthen our reputation of being an organisation dedicated to blending innovation and technology – and creating a better, safer future.

Shyam Motwani  
Executive Vice President & Business Head  
Godrej Locking Solutions and Systems





## About Us

Godrej Locking Solutions and Systems is part of the Godrej Group, one of India's leading organisations.

Godrej was the vision of a man with big dreams – Ardeshir Godrej – who started a small company manufacturing locks in 1897. Today, this company has grown to become a household name across India, touching lives in every corner of the country. It has expanded to become a multi-million dollar conglomerate with well-established brands in diverse industries.

From locks, household appliances, furniture and food to real estate, hi-tech engineering, security and personal care, Godrej's relentless pursuit of excellence has enriched lives across the globe.

Staying true to its core values of fairness, transparency and ethical dealing, the Group has built a strong network of over 50 company-owned retail stores, more than 2,200 wholesale dealers and over 18,000 retail outlets.

Godrej Locking Solutions and Systems follows the same tradition of excellence, and is well-known for its constant innovation blended with cutting edge technology. We offer a comprehensive range of choices in design and strengths of security, to anticipate every need for safety faced by contemporary homes and businesses.











- • Patch Fittings

## Top Patch

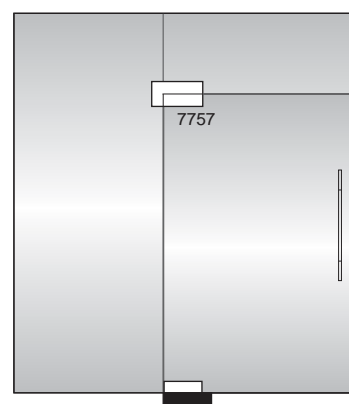
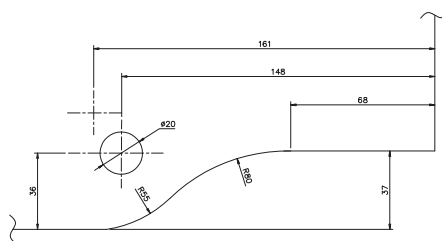
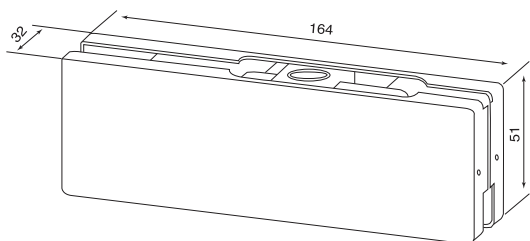


Product code **7757**

Baan code **LKYAPS102**

### Features

- SS 304 cover for high corrosion resistance
- Spring loaded push pins for easy installation and for firm fitting
- Adjustable pivot point of 60 or 65 mm
- Needle bearing in the pivot point for consistent, long lasting and smooth motion
- Pivot hole diameter of 15 mm
- Gaskets provided to accommodate glass from 8-12 mm thickness and avoid glass damage



## Bottom Patch

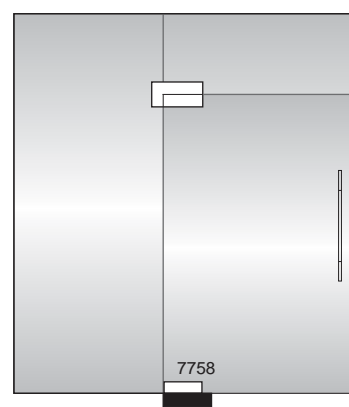
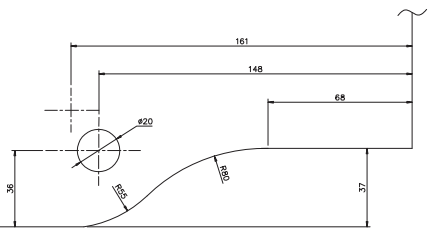
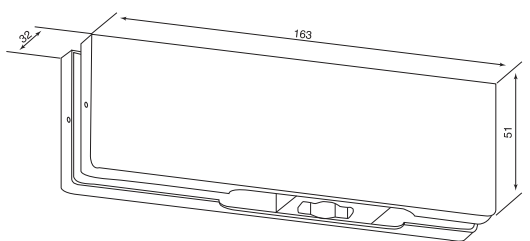


Product code **7758**

Baan code **LKYAPS103**

### Features

- SS 304 cover for high corrosion resistance
- Spring loaded push pins for easy installation and for firm fitting
- Nickel plated pivot hole for long life
- Universal pivot hole dimensions for easy fitment with floor springs
- Gaskets provided to accommodate glass from 8-12 mm thickness and avoid glass damage

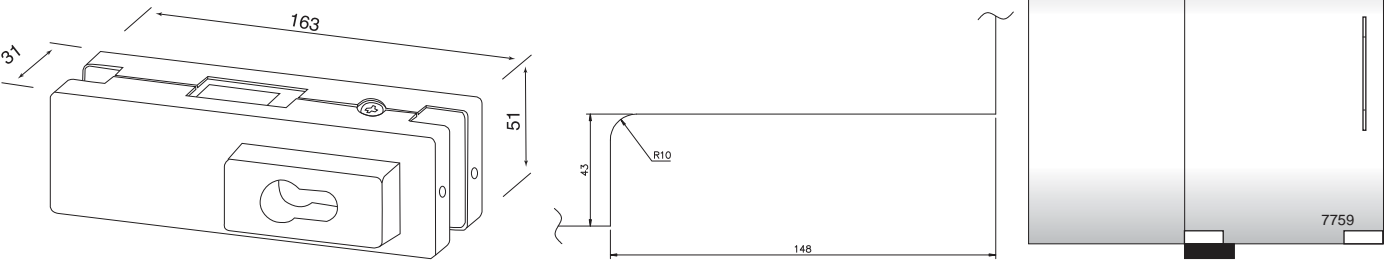


**Bottom Lock Patch**

Product code **7759**  
 Baan code **LKYAPS104**



- Features**
- SS 304 cover for high corrosion resistance
  - Spring loaded push pins for easy installation and for firm fitting
  - Gaskets provided to accommodate glass from 8-12 mm thickness and avoid glass damage
  - Compatible with Godrej Level 3, 4 high security cylinders
  - Bolt throw of 15 mm
  - Master key facility (optional)

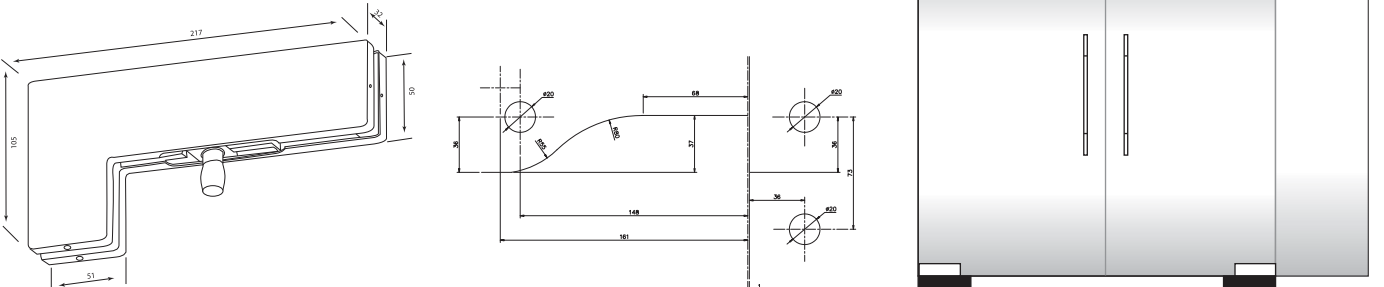


**L-Arm Patch with Pivot**

Product code **7760**  
 Baan code **LKYAPS105**



- Features**
- SS 304 cover for high corrosion resistance
  - Spring loaded push pins for easy installation and for firm fitting
  - Pivot zinc plated for long life
  - Adjustable pivot of 65 or 70 mm
  - Pivot diameter of 15 mm
  - Gaskets provided to accommodate glass from 8-12 mm thickness and avoid glass damage





## Over Panel Patch with Pivot

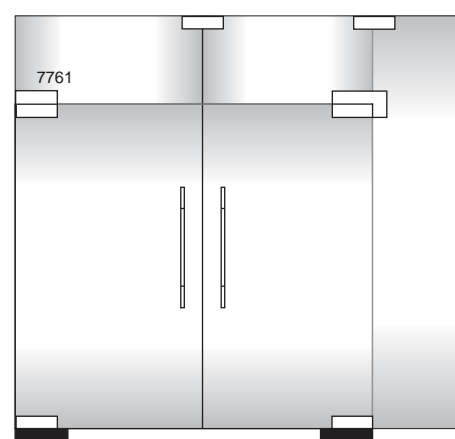
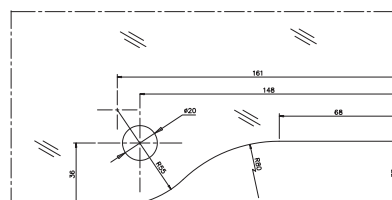
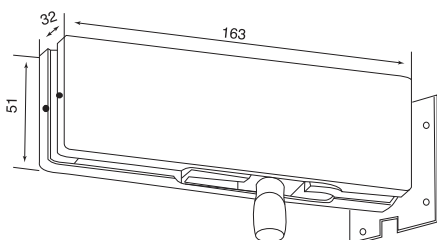
Product code **7761**

Baan code **LKYAPS106**



### Features

- SS 304 cover for high corrosion resistance
- Spring loaded push pins for easy installation and for firm fitting
- Adjustable pivot of 60 to 65 mm
- Pivot zinc plated for long life
- Pivot diameter of 15 mm
- Gaskets provided to accommodate glass from 8-12 mm thickness and avoid glass damage



## Top Patch with Pivot

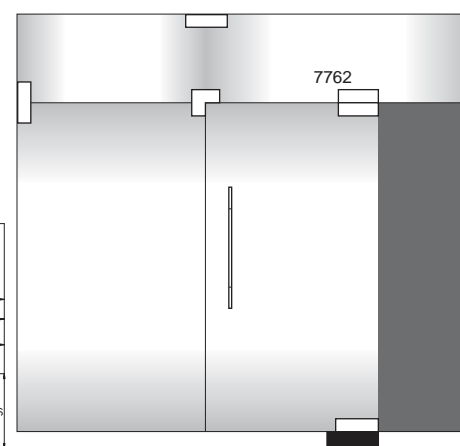
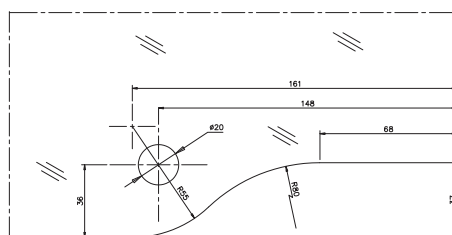
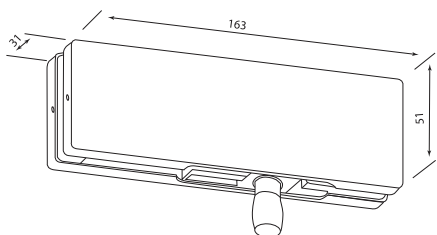
Product code **7762**

Baan code **LKYAPS107**



### Features

- SS 304 cover for high corrosion resistance
- Spring loaded push pins for easy installation and for firm fitting
- Pivot zinc plated for long life
- Adjustable pivot of 60 to 65 mm
- Pivot diameter of 15 mm
- Gaskets provided to accommodate glass from 8-12 mm thickness and avoid glass damage



## L-Connect Patch

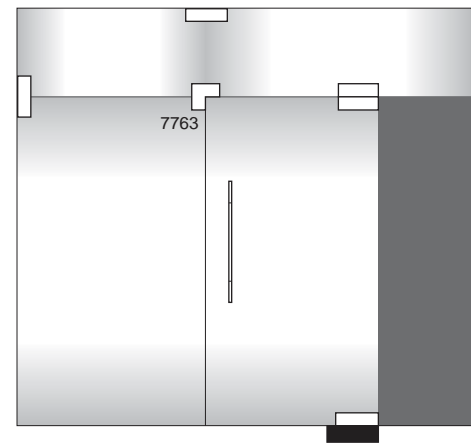
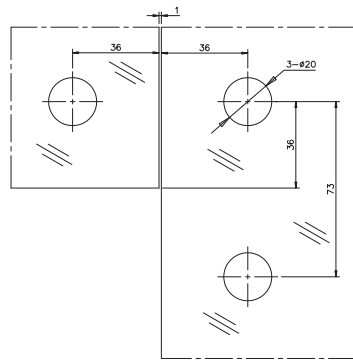
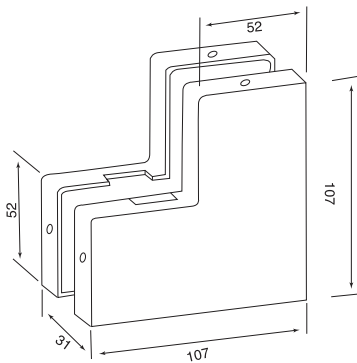
Product code **7763**

Baan code **LKYAPS108**



### Features

- SS 304 cover for high corrosion resistance
- Spring loaded push pins for easy installation and for firm fitting
- Gaskets provided to accommodate glass from 8-12 mm thickness and avoid glass damage



## Side Lock Patch

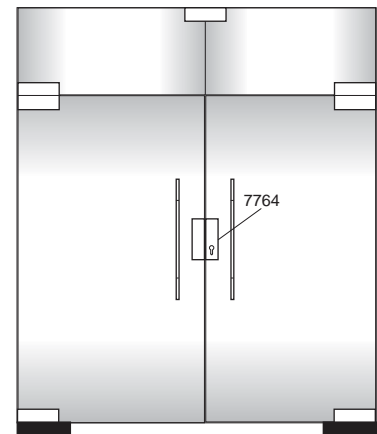
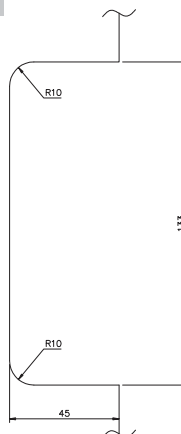
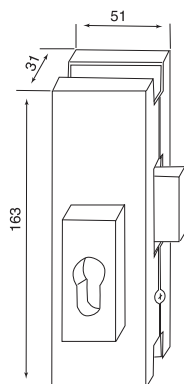
Product code **7764**

Baan code **LKYAPS109**



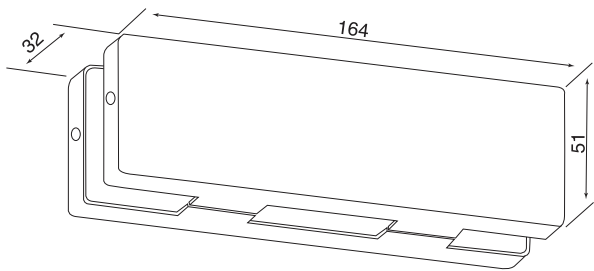
### Features

- SS 304 cover for high corrosion resistance
- Spring loaded push pins for easy installation and for firm fitting
- Gaskets provided to accommodate glass from 8-12 mm thickness and avoid glass damage
- Compatible with Godrej Level 3, 4 high security cylinders
- Bolt throw of 15 mm





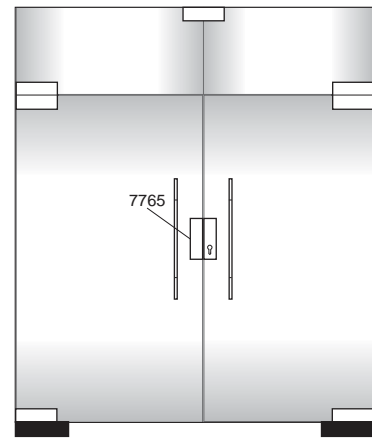
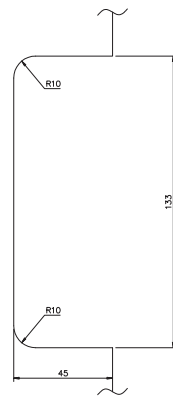
Side Lock Adaptor



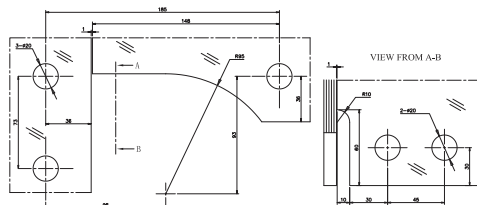
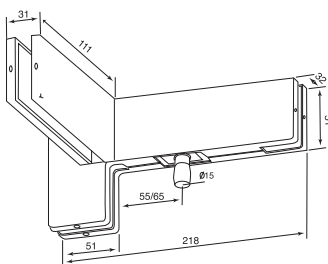
Product code	<b>7765</b>
Baan code	<b>LKYAPS110</b>

Features

- SS 304 cover for high corrosion resistance
- Spring loaded push pins for easy installation and for firm fitting
- Gaskets provided to accommodate glass from 8-12 mm thickness and avoid glass damage



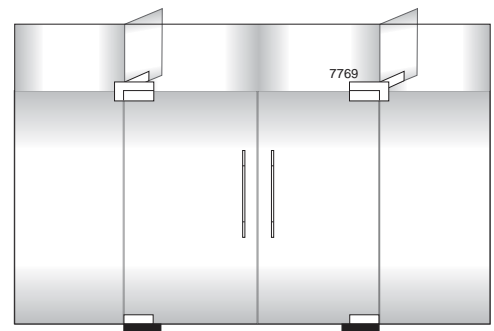
L-Arm Patch with Pivot and Fin-L/R



Product code	<b>7769 / 7768</b>
Baan code	<b>LKYAPS114 / 113</b>

Features

- Connecting over panel, side panel and fin
- Spring loaded pins for easy installation and for firm fitting
- Pivot zinc plated for long life
- SS 304 cover for high corrosion resistance
- Pivot diameter of 15 mm
- For door hinges on left side with fin on the inside
- For door hinges on right side with fin on the inside
- Adjustable pivot from 65 mm to 70 mm
- Gaskets provided to accommodate glass from 8-12 mm thickness and avoid glass damage



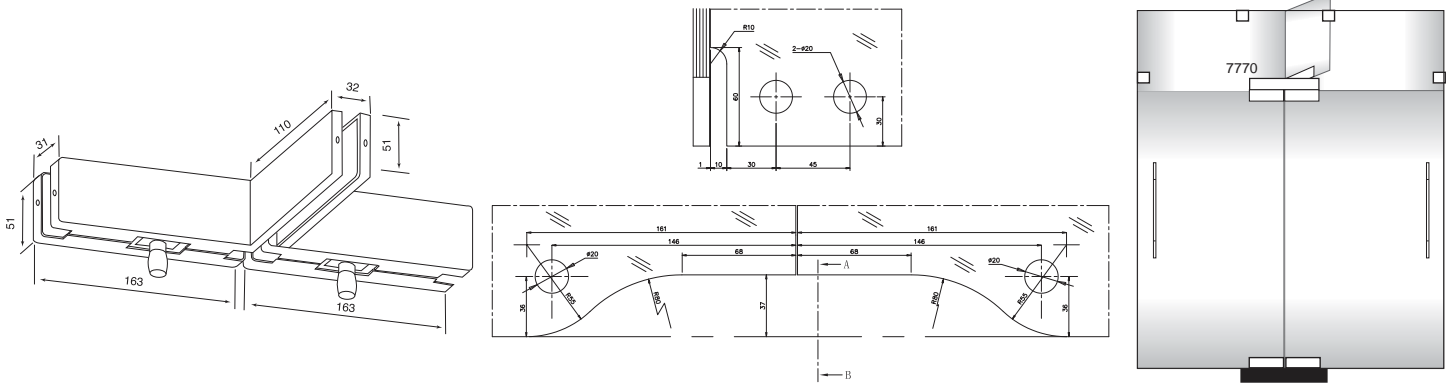
### Double Pivot Patch with Fin

Product code **7770**  
Baan code **LKYAPS115**



#### Features

- Connecting over panel, side panel and fin
- Spring loaded pins for easy installation and for firm fitting
- Pivot zinc plated for long life
- SS 304 cover for high corrosion resistance
- Pivot diameter of 15 mm
- For door hinges on left side with fin on the inside
- Adjustable pivot from 60 mm to 65 mm
- Gaskets provided to accommodate glass from 8-12 mm thickness and avoid glass damage



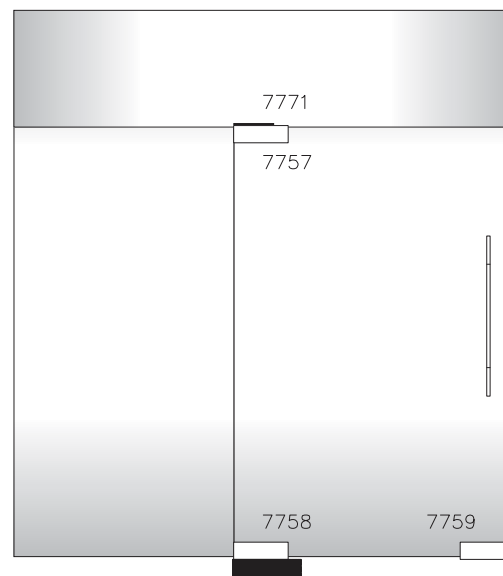
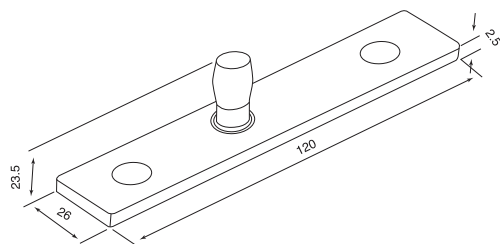
### Pivot Plate

Product code **7771**  
Baan code **LKYAPS116**



#### Features

- SS 304 Pivot Plate for durability and high corrosion resistance
- Universal design
- Most suitable with Godrej Top Patch (PC: 7757)



**Square Connect Patch**

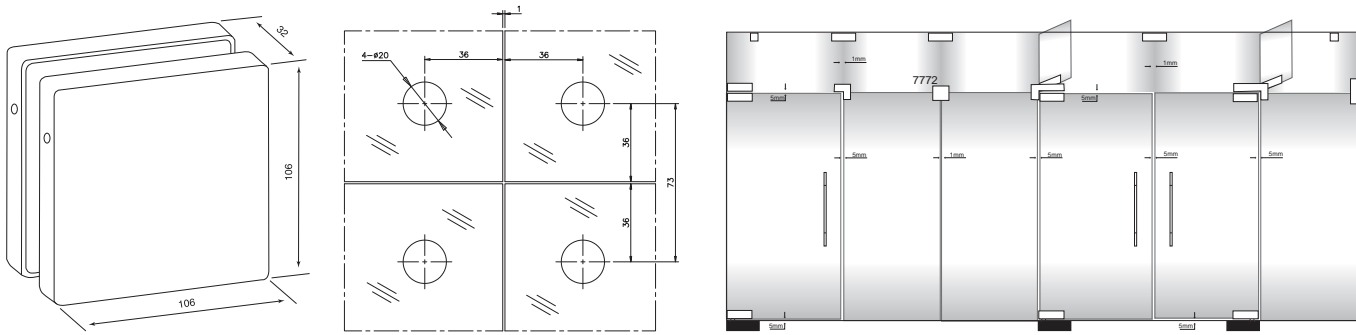
Product code **7772**

Baan code **LKYAPS117**



**Features**

- To connect four numbers of fixed glass together
- Spring loaded pins for easy installation and for firm fitting
- SS 304 cover for high corrosion resistance
- Gaskets provided to accommodate glass from 8-12 mm thickness and avoid glass damage



**Connector Patch GCP 640**

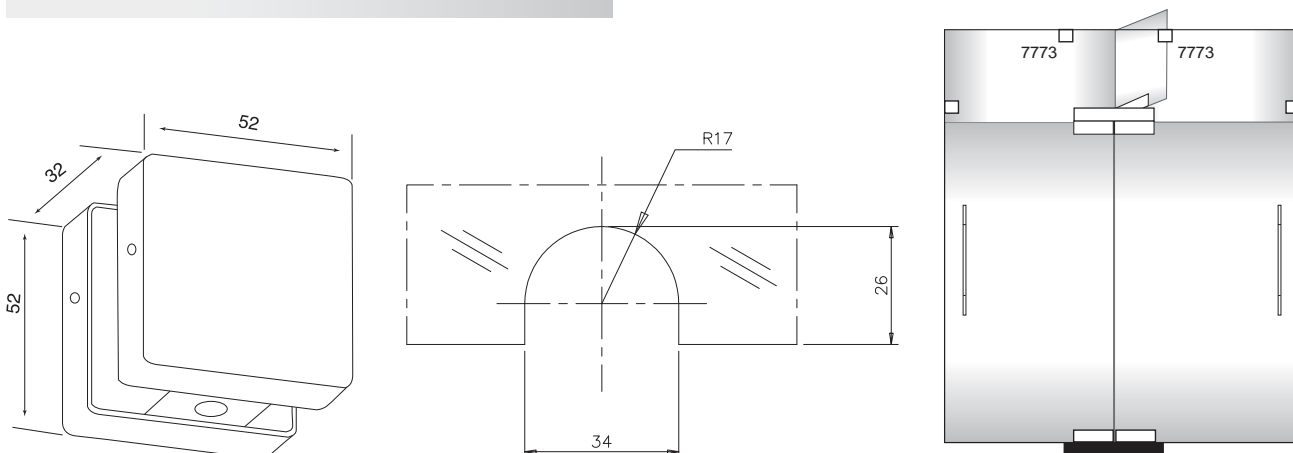
Product code **7773**

Baan code **LKYAPS118**



**Features**

- Fix glass with wall, ceiling or floor
- Spring loaded pins for easy installation and for firm fitting
- SS 304 cover for high corrosion resistance
- Gaskets provided to accommodate glass from 8-12 mm thickness and avoid glass damage



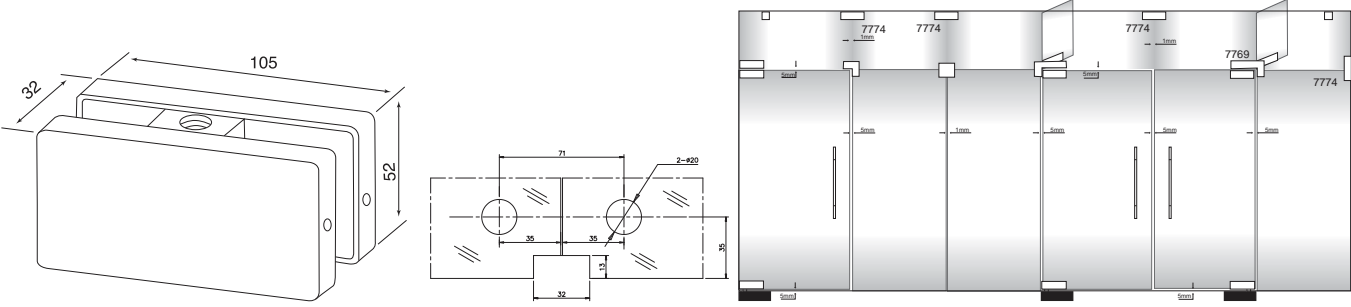
**Side Connector Patch**

Product code **7774**  
 Baan code **LKYAPS119**



**Features**

- Fix two numbers of glass together with wall, ceiling or floor
- Spring loaded pins for easy installation and for firm fitting
- SS 304 cover for high corrosion resistance
- Gaskets provided to accommodate glass from 8-12 mm thickness and avoid glass damage



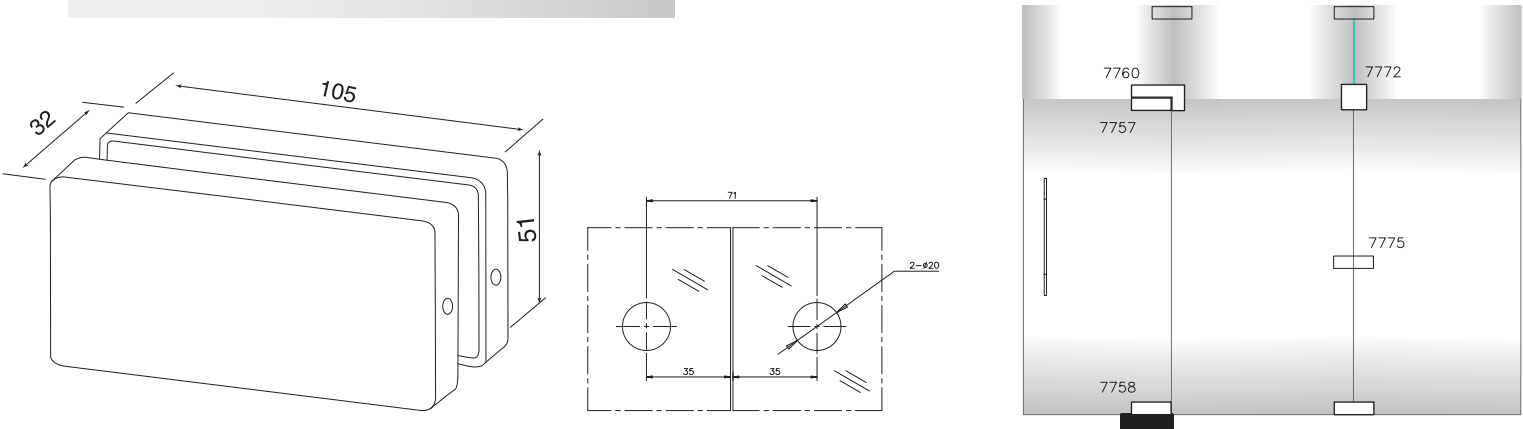
**Rectangular Connect Patch**

Product code **7775**  
 Baan code **LKYAPS120**



**Features**

- To connect two numbers of fixed glass together
- Spring loaded pins for easy installation and for firm fitting
- SS 304 cover for high corrosion resistance
- Gaskets provided to accommodate glass from 8-12 mm thickness and avoid glass damage



### Fin Connect Patch

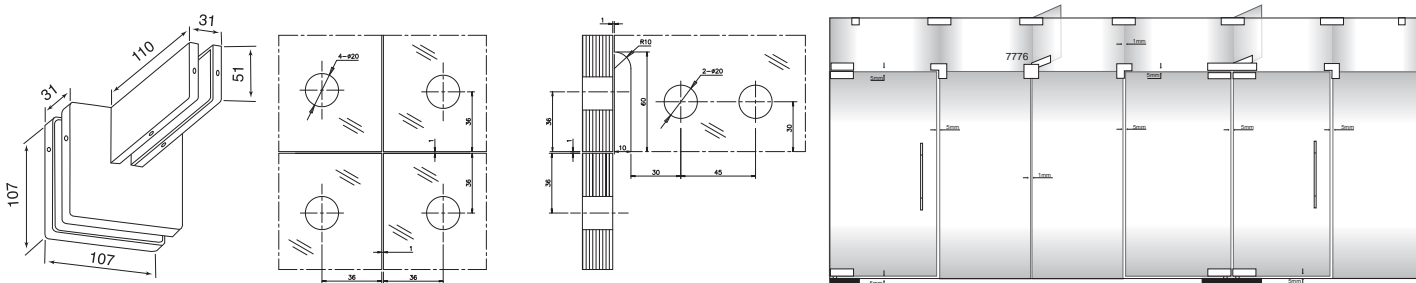
Product code **7776**

Baan code **LKYAPS121**



#### Features

- To connect four numbers of fixed glass together with fin
- Spring loaded pins for easy installation and for firm fitting
- SS 304 cover for high corrosion resistance
- Gaskets provided to accommodate glass from 8-12 mm thickness and avoid glass damage



### Top Rail

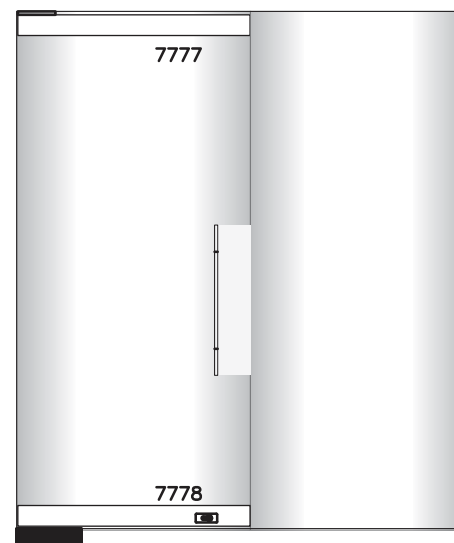
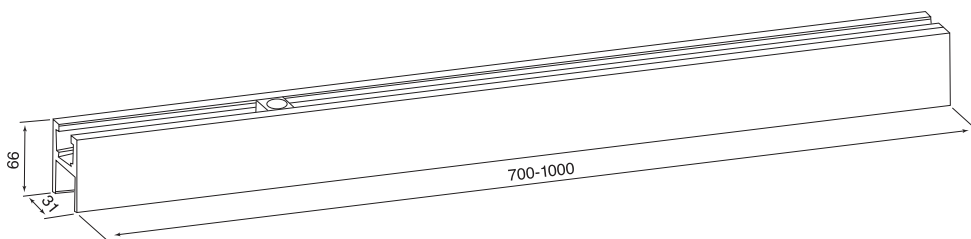
Product code **7777**

Baan code **LKYAPS122**

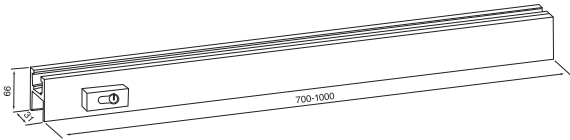


#### Features

- Installed on top of the door
- Provided with clip on covers
- Firm grip for strength and rigidity to the door structure
- SS 304 cover for high corrosion resistance
- Length: 1 metre



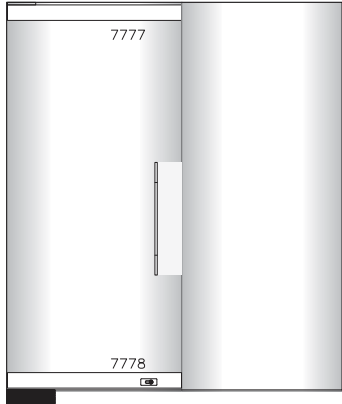
## Bottom Rail



Product code	<b>7778</b>
Baan code	<b>LKYAPS123</b>

### Features

- Installed at the bottom of the door
- Provided with clip on covers
- Firm grip for strength and rigidity to the door structure
- SS 304 cover for high corrosion resistance
- Length: 1 metre
- Compatible with Godrej Security Strengths 1, 3 and 4 high security cylinders
- Master key facility (optional)
- Bolt throw: 17 mm



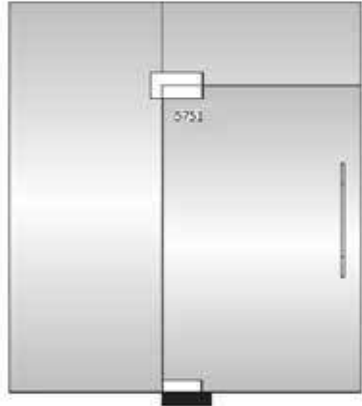
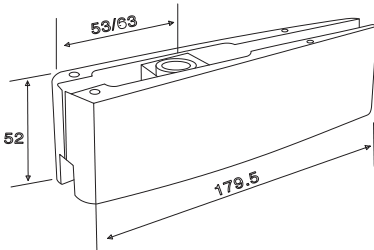
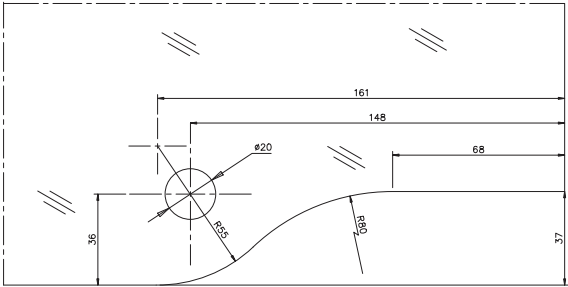
## Kurve Top Patch



Product code	<b>5751</b>
Baan code	<b>LKYAPS201</b>

### Features

- Elegant and appealing curvilinear design
- SS 304 cover for high corrosion resistance
- Spring loaded push pin for easy installation and for firm fitting
- Adjustable pivot point of 55 or 60 mm
- Gasket provided to accommodate glass from 8-12 mm thickness and avoid glass damage



### Kurve Bottom Patch

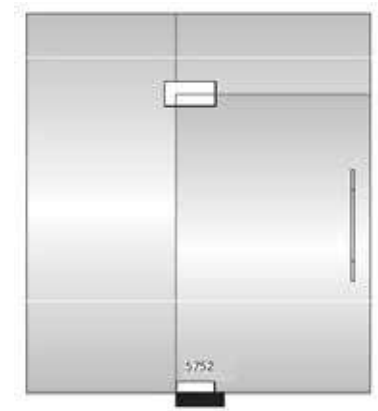
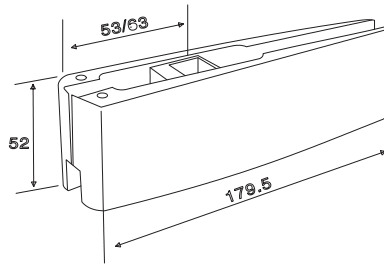
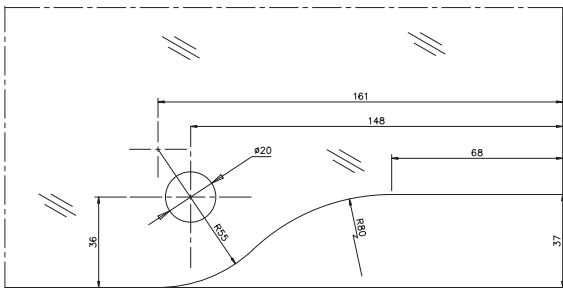
Product code **5752**

Baan code **LKYAPS202**



#### Features

- Elegant and appealing curvilinear design
- SS 304 cover for high corrosion resistance
- Universal pivot hole dimension for easy fitment with floor springs
- Gasket provided to accommodate glass from 8-12 mm thickness and avoid glass damage



### Kurve Bottom Patch Lock

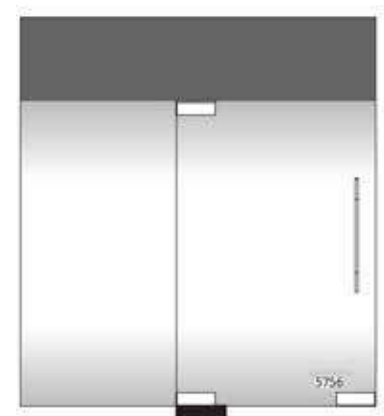
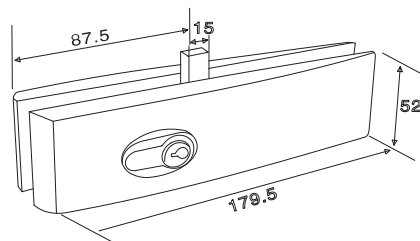
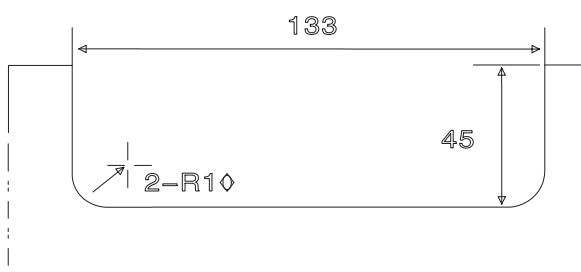
Product code **5756**

Baan code **LKYAPS206**



#### Features

- Elegant and appealing curvilinear design
- SS 304 cover for high corrosion resistance
- Spring loaded push pin for easy installation and for firm fitting
- Gaskets provided to accommodate glass from 8-12 mm thickness and avoid glass damage
- Bolt throw of 15 mm





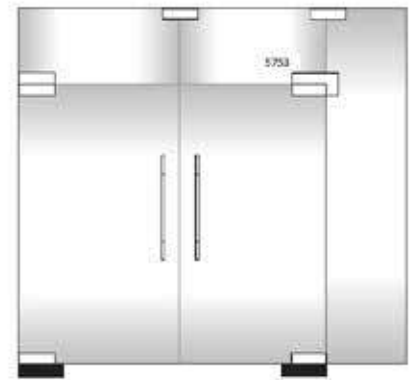
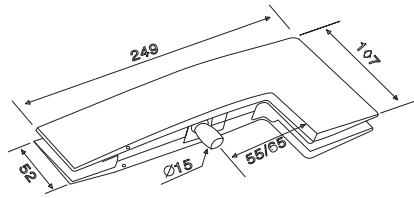
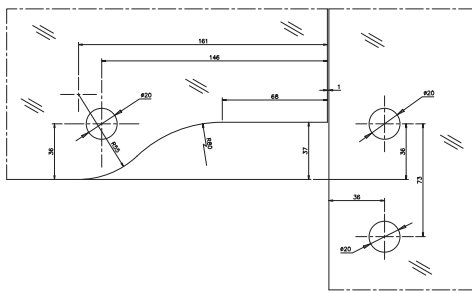
### Kurve L-Arm Patch with Pivot

Product code	<b>5753</b>
Baan code	<b>LKYAPS203</b>



#### Features

- Elegant and appealing curvilinear design
- SS 304 cover for high corrosion resistance
- Spring loaded push pin for easy installation and for firm fitting
- Pivot zinc plated for long life
- Adjustable pivot
- Pivot diameter of 15mm
- Gasket provided to accommodate glass from 8-12 mm thickness and avoid glass damage



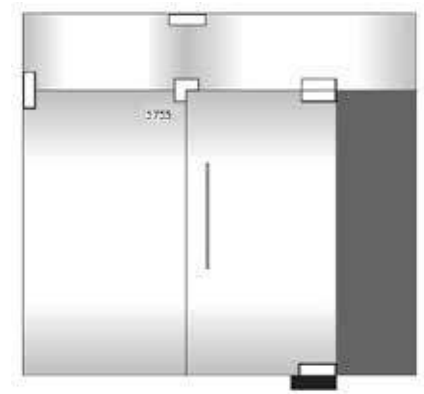
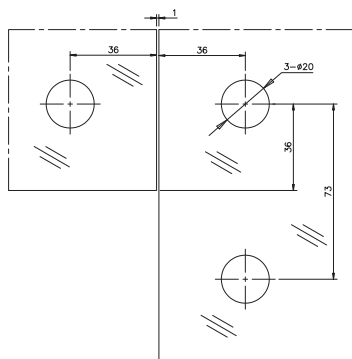
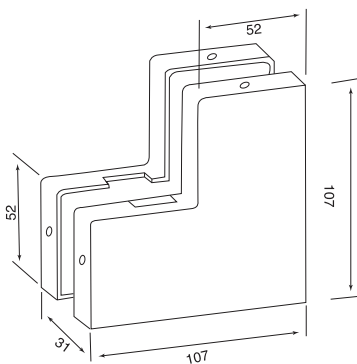
### Kurve L Connect Patch with Stopper

Product code	<b>5755</b>
Baan code	<b>LKYAPS205</b>



#### Features

- Elegant and appealing curvilinear design
- SS 304 cover for high corrosion resistance
- Spring loaded push pins for easy installation and for firm fitting
- Gaskets provided to accommodate glass from 8-12 mm thickness and avoid glass damage
- Can be used for one-way operation of door



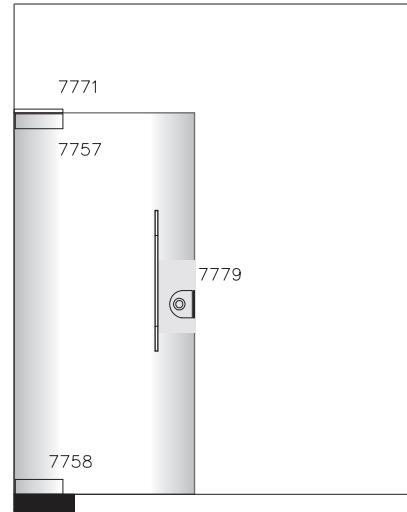
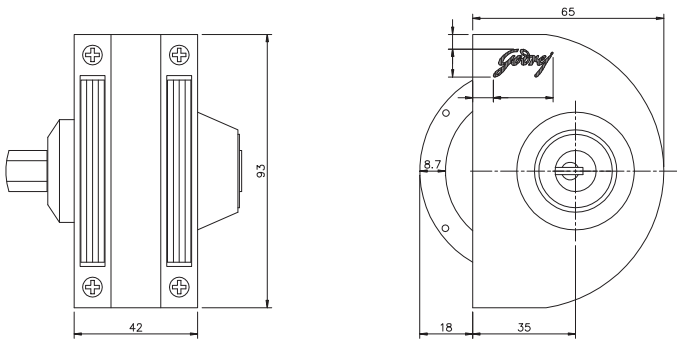
**Glass to Wall Lock - Round**

Product code	<b>7779</b>
Baan code	<b>LKYAPS124</b>



**Features**

- Glass to Wall Lock round type suitable for 10 mm and 12 mm glass
- Requires no cutout in the glass
- Operated with Dimple technology key from one side and knob on the other side
- SS 304 for high corrosion resistance



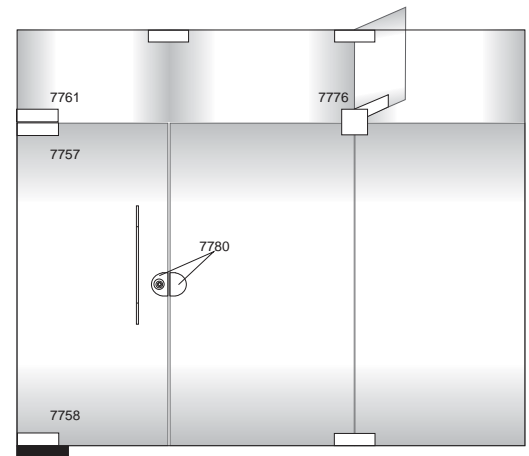
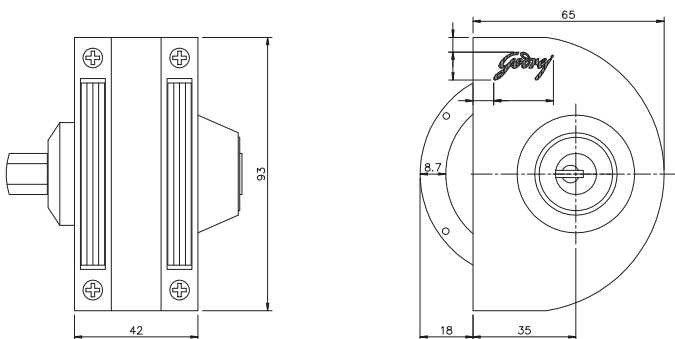
**Glass to Glass Lock - Round type**

Product code	<b>7780</b>
Baan code	<b>LKYAPS125</b>



**Features**

- Glass to Glass Lock round type suitable for double doors of 10 mm and 12 mm thickness
- Requires no cutout in the glass
- Operated with Dimple technology key from one side and knob on the other side
- SS 304 for high corrosion resistance



## Glass to Wall Lock-01

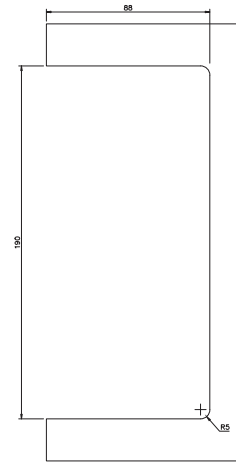


Product code **5511**

Baan code **LKYGDL001**

### Features

- Innovatively designed handle for easy operation of latch bolt
- Deadbolt feature to ensure privacy
- Operated with computerised key



## Glass to Glass Lock-02

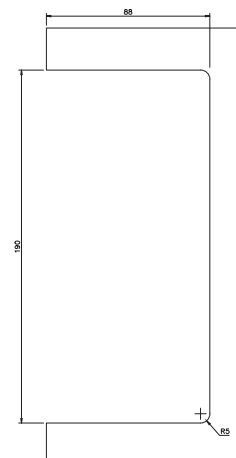


Product code **5512**

Baan code **LKYGDL002**

### Features

- Innovatively designed handle for easy operation of latch bolt
- Deadbolt feature to ensure privacy
- Operated with computerised key
- Suitable for locking the door with side panel
- SS 304 material for high corrosion resistance
- Available in SS finish



### Glass to Wall Lock-03

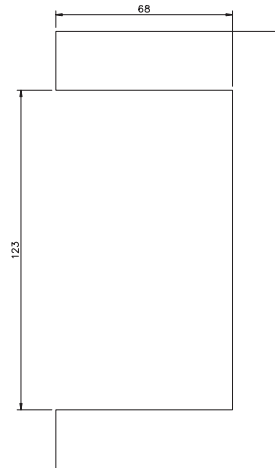


Product code **5513**

Baan code **LKYGDL003**

#### Features

- Claw type deadbolt arrangement for secure privacy
- Operated with computerised key
- SS 304 material for high corrosion resistance
- Available in SS finish



### Glass to Glass Lock-04

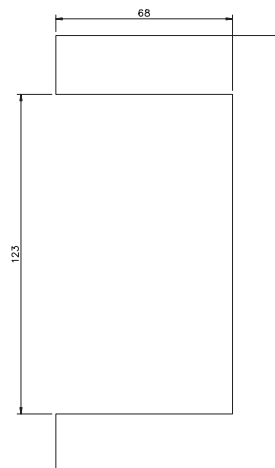


Product code **5514**

Baan code **LKYGDL004**

#### Features

- Claw type deadbolt arrangement for secure privacy
- Operated with computerised key
- Suitable for locking door with side panel
- SS 304 material for high corrosion resistance
- Available in SS finish



## Glass to Wall Lock-05

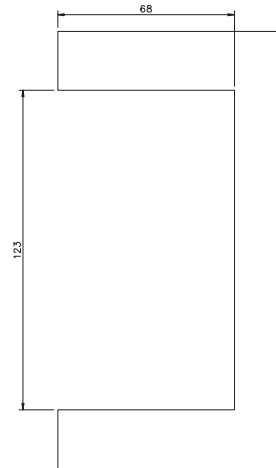


Product code **5515**

Baan code **LKYGDL005**

### Features

- Deadbolt arrangement for secure privacy
- Operated with computerised key
- SS 304 material for high corrosion resistance
- Available in SS finish



## Glass to Glass Lock-06

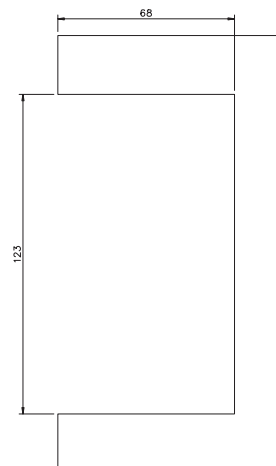


Product code **5516**

Baan code **LKYGDL006**

### Features

- Deadbolt arrangement for secure privacy
- Operated with computerised key
- Suitable for locking the door with side panel
- SS 304 material for high corrosion resistance
- Available in SS finish



**Pull Handle with Lock**



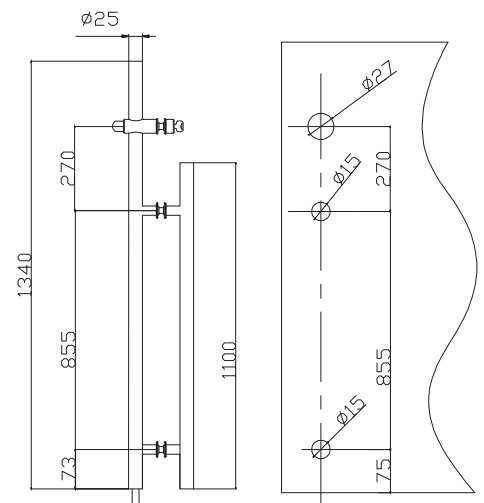
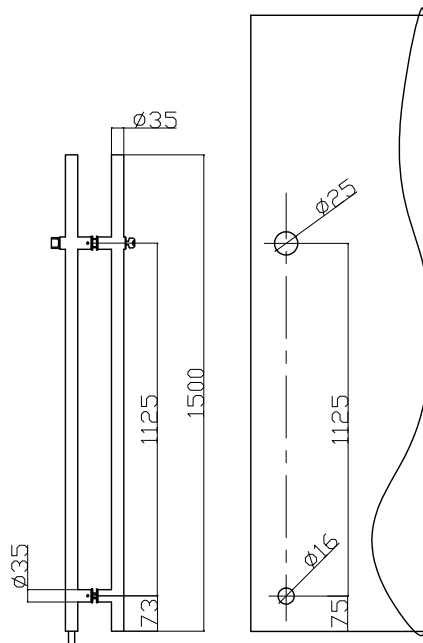
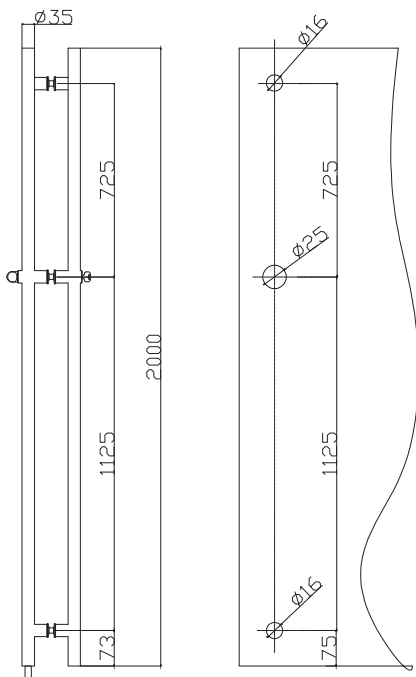
**Features**

- Made of SS 304 material for high corrosion resistance
- 1CK model for ease of operation
- Deadbolt length: 32 mm for extra security
- 5 keys available with handle pair
- Dust proof spring loaded receptacle

Product code **5517**  
 Baan code **LKYKDH001**

Product code **5518**  
 Baan code **LKYKDH002**

Product code **5519**  
 Baan code **LKYKDH003**



## Pull Handle with Lock

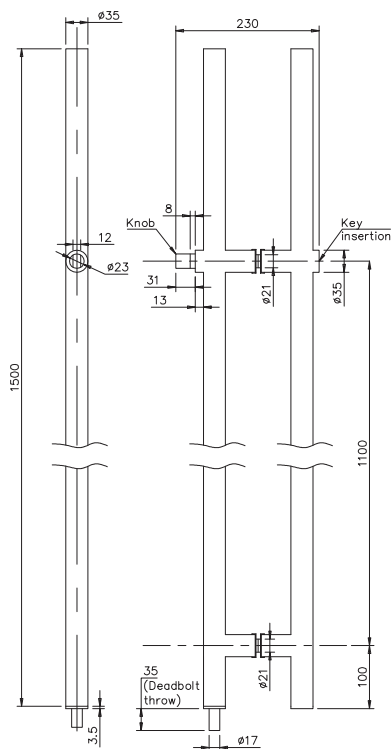


Product code **7781**

Baan code **LKYLPS001**

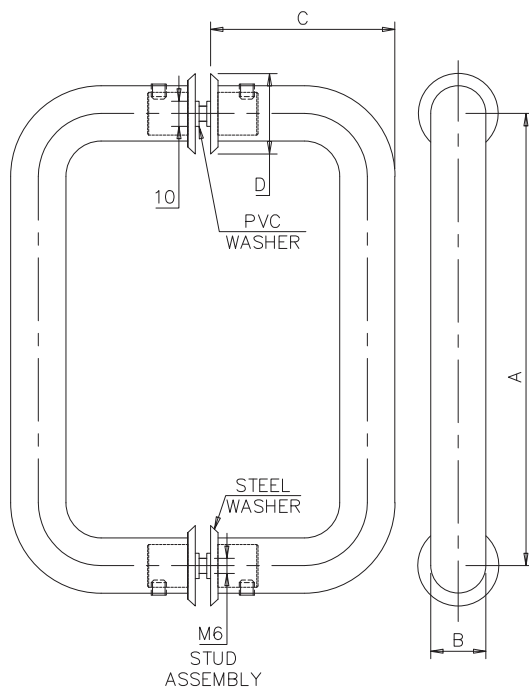
### Features

- Made of SS 304 material for high corrosion resistance
- 1CK model for ease of operation
- Deadbolt length: 35 mm for extra security
- 5 keys available with handle pair
- Dust proof spring loaded receptacle





## D-Type Pull Handle



Product code	<b>7261</b>
Baan code	<b>LKYDPH200</b>

Product code	<b>7262</b>
Baan code	<b>LKYDPH300</b>

Product code	<b>7263</b>
Baan code	<b>LKYDPH350</b>

Product code	<b>7264</b>
Baan code	<b>LKYDPH400</b>

Product code	<b>7265</b>
Baan code	<b>LKYDPH450</b>

Product code	<b>7266</b>
Baan code	<b>LKYDPH600</b>

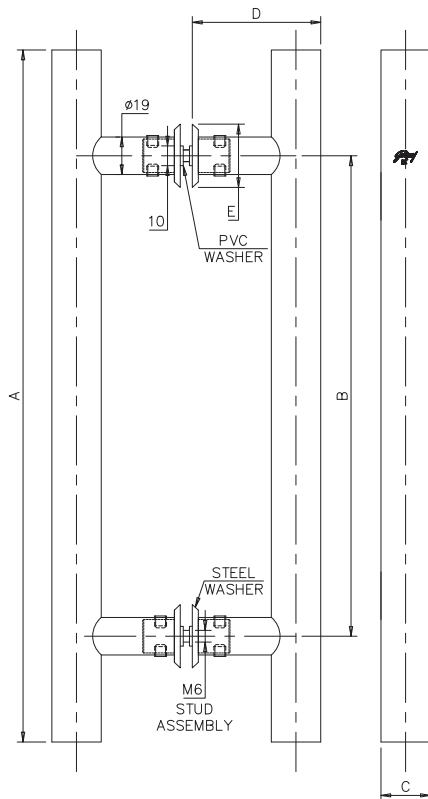
### Features

- Made of SS 304 material for high corrosion resistance
- Sleek design for firm grip
- Gasket to prevent glass damage
- Concealed grub screws
- Available in different sizes

### D-TYPE HANDLES

SIZE (mm)	PRODUCT CODE	BAAN CODE	A	B	C	D
200 X 22	7261	LKYDPH200	200	22	80	29
300 X 25	7262	LKYDPH300	300	25	80	29
350 X 25	7263	LKYDPH350	350	25	80	29
400 X 25	7264	LKYDPH400	400	25	80	29
450 X 25	7265	LKYDPH450	450	25	80	29
600 X 32	7266	LKYDPH600	600	32	80	36

## H-Type Pull Handle



Product code	<b>7267</b>
Baan code	<b>LKYHPH300</b>
Product code	<b>7268</b>
Baan code	<b>LKYHPH325</b>
Product code	<b>7269</b>
Baan code	<b>LKYHPH400</b>
Product code	<b>7270</b>
Baan code	<b>LKYHPH400</b>
Product code	<b>7271</b>
Baan code	<b>LKYHPH457</b>
Product code	<b>7272</b>
Baan code	<b>LKYHPH326</b>
Product code	<b>7273</b>
Baan code	<b>LKYHPH840</b>
Product code	<b>7274</b>
Baan code	<b>LKYHPH900</b>
Product code	<b>7535</b>
Baan code	<b>LKYLDP4CF</b>

### Features

- Made of SS 304 material for high corrosion resistance
- Sleek design for firm grip
- Gasket to prevent glass damage
- Concealed grub screws
- Available in different sizes

### H-TYPE HANDLES

SIZE (mm)	PRODUCT CODE	BAAN CODE	A	B	C	D	E
300 X 25	7267	LKYHPH300	300	212	25	58	29
325 X 25	7268	LKYHPH325	325	240	25	58	29
400 X 25	7269	LKYHPH400	400	375	25	58	29
600 X 25	7270	LKYHPH600	600	455	25	58	29
457 X 32	7271	LKYHPH457	457	305	32	70	36
600 X 32	7272	LKYHPH600	600	480	32	70	36
840 X 32	7273	LKYHPH840	840	480	32	70	36
900 X 32	7274	LKYHPH900	900	480	32	70	36
425 x 25	7535	LKYLDP4CF	425	322	25	63	28

## S-Type Pull Handle



S-type pull handle			
Size(mm)	Product code	Baan code	Finish
350 x 25	5520	LKYGPH004	Satin
475 x 25	5521	LKYGPH005	Satin
475 x 32	5522	LKYGPH006	Satin
600 x 32	5523	LKYGPH007	Satin
350 x 25	5524	LKYGPH008	Chrome
475 x 25	5525	LKYGPH009	Chrome
350 x 32	5526	LKYGPH010	Chrome
450 x 32	5527	LKYGPH011	Chrome
475 x 32	5528	LKYGPH012	Chrome
600 x 32	5529	LKYGPH013	Chrome

Product code	<b>5520</b>
Baan code	<b>LKYGPH004</b>
Product code	<b>5521</b>
Baan code	<b>LKYGPH005</b>
Product code	<b>5522</b>
Baan code	<b>LKYGPH006</b>
Product code	<b>5523</b>
Baan code	<b>LKYGPH007</b>
Product code	<b>5524</b>
Baan code	<b>LKYGPH008</b>
Product code	<b>5525</b>
Baan code	<b>LKYGPH009</b>
Product code	<b>5526</b>
Baan code	<b>LKYGPH010</b>
Product code	<b>5527</b>
Baan code	<b>LKYGPH011</b>
Product code	<b>5528</b>
Baan code	<b>LKYGPH012</b>
Product code	<b>5529</b>
Baan code	<b>LKYGPH013</b>

### Features

- Made of SS 304 material for high corrosion resistance
- Sleek design for firm grip
- Gasket to prevent glass damage
- Concealed grub screws
- Available in different sizes

## H-Type Designer Handle



Product code	<b>5530</b>
Baan code	<b>LKYGPH014</b>
Product code	<b>5531</b>
Baan code	<b>LKYGPH015</b>
Product code	<b>5532</b>
Baan code	<b>LKYGPH016</b>
Product code	<b>5533</b>
Baan code	<b>LKYGPH017</b>

### Features

- Sleek designer handle
- Made of SS 304 material for high corrosion resistance
- Concealed grub screws
- Available in different sizes

H-type Pull Handle			
Size (mm)	Product code	Baan code	Finish
550 x 32	5530	LKYGPH014	Satin
110 x 38	5531	LKYGPH015	Satin
550 x 32	5532	LKYGPH016	Chrome
110 x 38	5533	LKYGPH017	Chrome

Imagination is the beginning of creation.

You imagine what you desire, you will what you imagine  
and at last you will create what you will.

- *George Bernard Shaw*





- • Shower Fittings



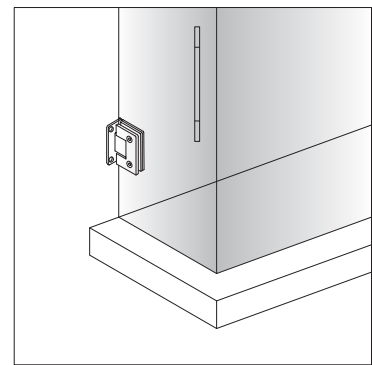
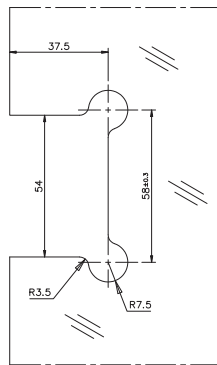
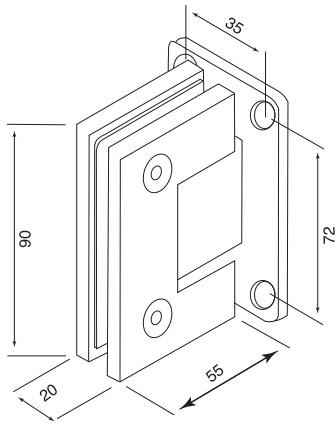
### Wall to Glass Hinge

Product code **7601**

Baan code **LKYAHSH01**

#### Features

- Developed for firm holding of glass door to the wall
- Made of SS 304 which makes the fittings highly corrosion resistant
- Surface polishing with chrome prevents water seeping into the fitting
- Gaskets provided to accommodate glass from 8-12 mm
- Suitable for door weight up to 50 kg
- The door will shut automatically when closed till 25 degrees
- Can be used for two-way operation of door



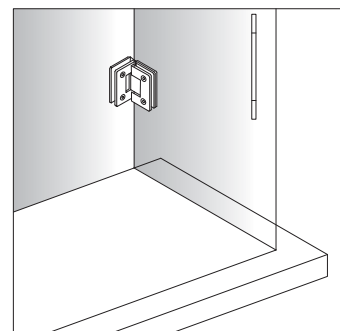
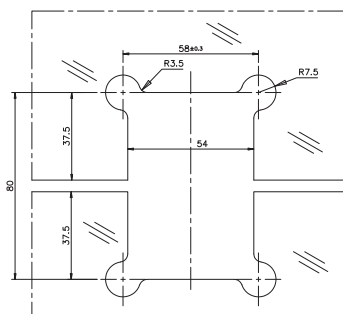
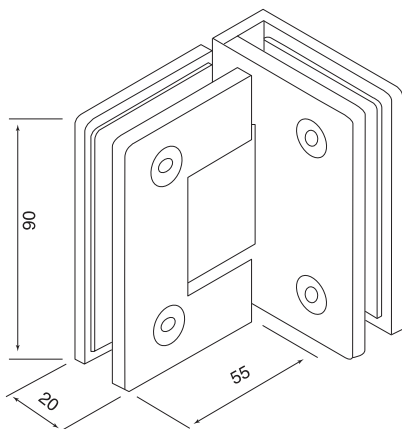
### Glass to Glass Hinge 90 Degrees

Product code **7602**

Baan code **LKYAHSH02**

#### Features

- Developed for firm connecting of glass door with fixed glass at 90 degrees
- Made of SS 304 which makes the fittings highly corrosion resistant
- Surface polishing with chrome prevents water seeping into the fitting
- Gaskets provided to accommodate glass from 8-12 mm thickness and avoid glass damage
- Suitable for door weight up to 50 kg
- The door will shut automatically when closed till 25 degrees
- Can be used for two-way operation of door





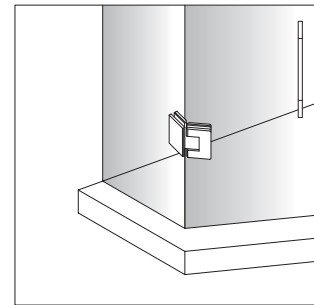
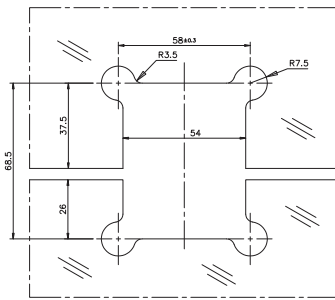
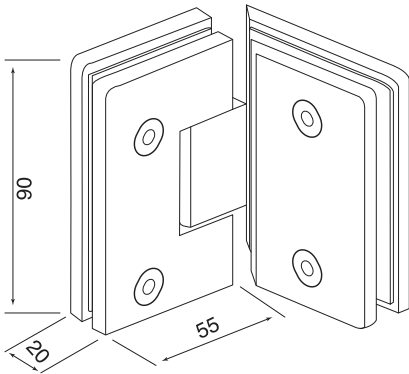


### Glass to Glass Hinge 135 Degrees

Product code	<b>7603</b>
Baan code	<b>LKYAHSH03</b>

#### Features

- Developed for firm connecting of glass door with fixed glass at 135 degrees
- Made of SS 304 which makes the fittings highly corrosion resistant
- Surface polishing with chrome prevents water seeping into the fitting
- Gaskets provided to accommodate glass from 8-12 mm thickness and avoid glass damage
- Suitable for door weight up to 50 kg
- The door will shut automatically when closed till 25 degrees
- Can be used for two-way operation of door

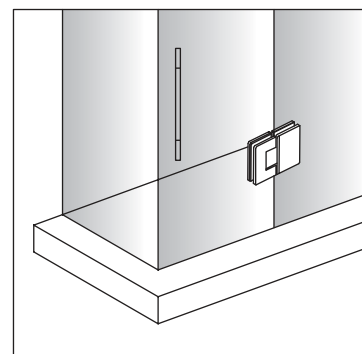
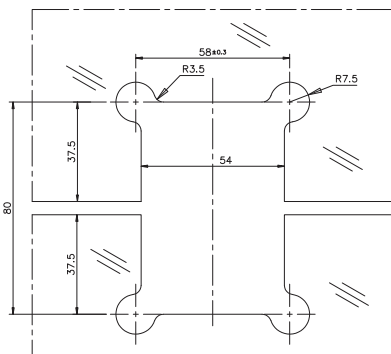
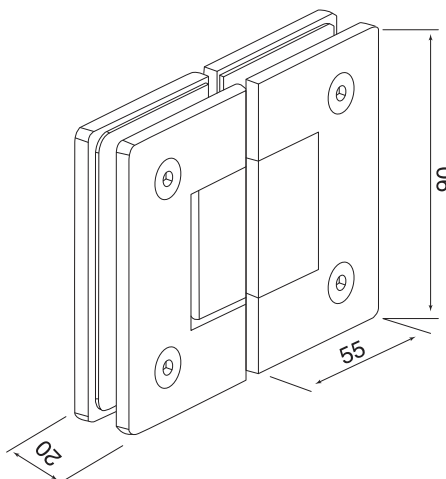


### Glass to Glass Hinge 180 Degrees

Product code	<b>7604</b>
Baan code	<b>LKYAHSH04</b>

#### Features

- Developed for firm connecting of glass door with fixed glass at 180 degrees
- Made of SS 304 which makes the fittings highly corrosion resistant
- Surface polishing with chrome prevents water seeping into the fitting
- Gaskets provided to accommodate glass from 8-12 mm thickness and avoid glass damage
- Suitable for door weight up to 50 kg
- The door will shut automatically when closed till 25 degrees
- Can be used for two-way operation of door





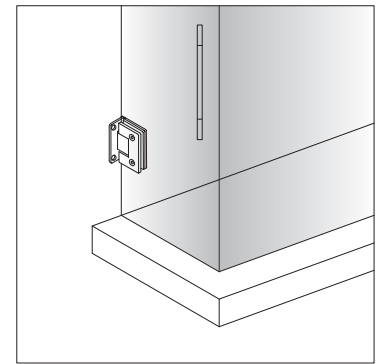
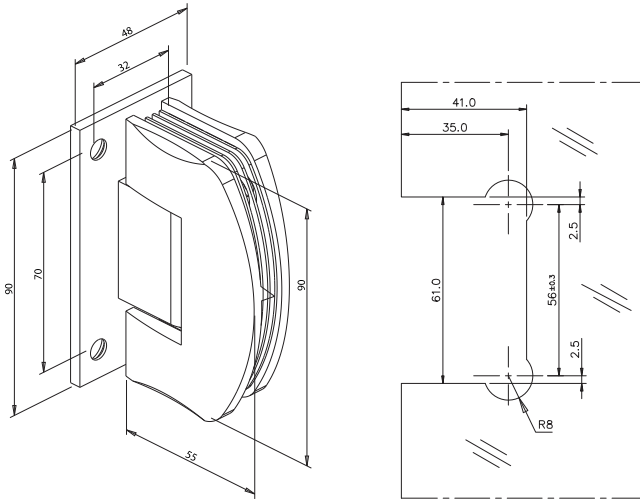
## Kurve Wall to Glass Hinge

Product code **5757**

Baan code **LKYAHSH11**

### Features

- Elegant and appealing curvilinear design
- Developed for firm holding of glass door to the wall
- Made of SS 304 which makes the fittings highly corrosion resistant
- Surface polishing with chrome prevents water seeping into the fitting
- Gasket provided to accommodate glass from 8-12 mm
- Suitable for door weight up to 45 kg and width up to 1000 mm
- The door will shut automatically when closed till 30 degrees
- Can be used for two-way operation of door



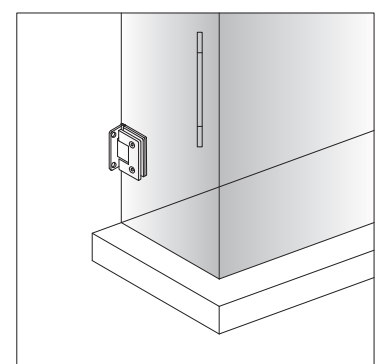
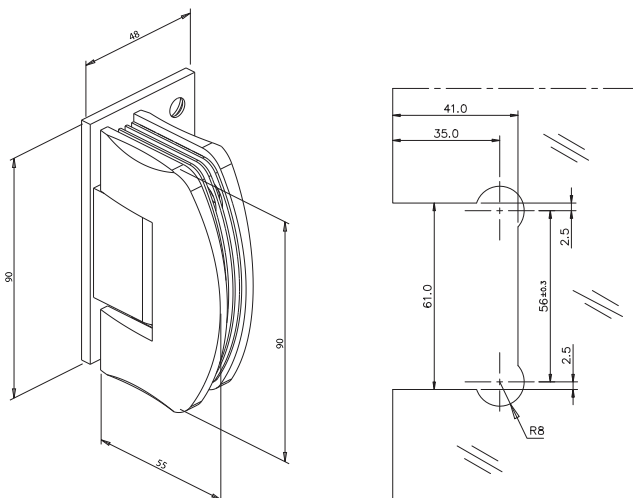
## Kurve Offset Wall to Glass Hinge

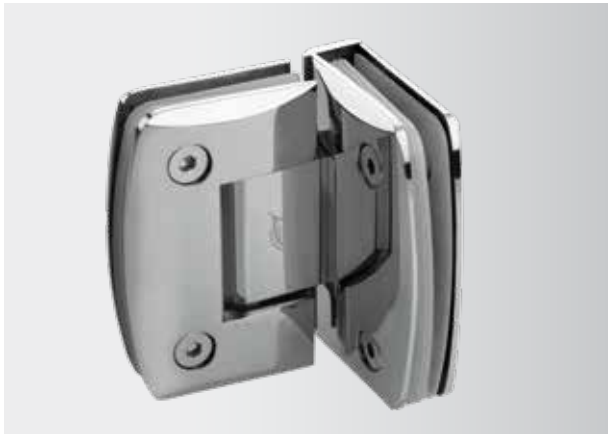
Product code **5758**

Baan code **LKYAHSH12**

### Features

- Elegant and appealing curvilinear design
- Developed for firm holding of glass door offset to the wall
- Made of SS 304 which makes the fittings highly corrosion resistant
- Surface polishing with chrome prevents water seeping into the fitting
- Gasket provided to accommodate glass from 8-12 mm
- Suitable for door weight up to 45 kg and width up to 1000 mm
- The door will shut automatically when closed till 30 degrees
- Can be used for two-way operation of door





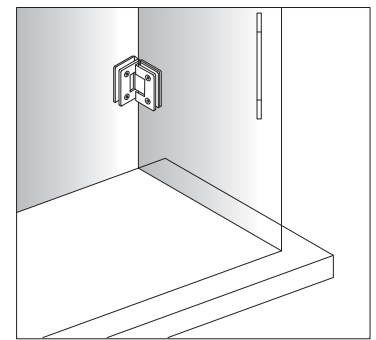
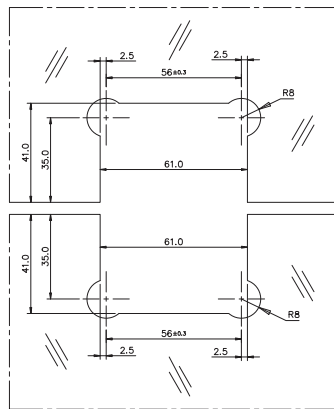
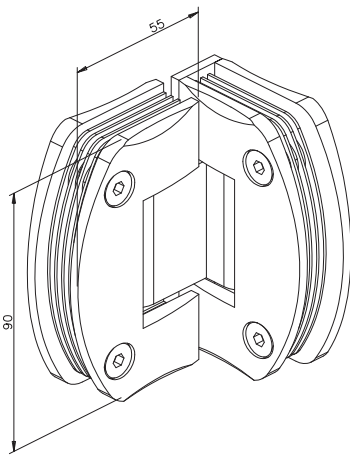
### Kurve Glass to Glass Hinge 90 Degrees

Product code **5765**

Baan code **LKYAHSH15**

#### Features

- Elegant and appealing curvilinear design
- Developed for firm holding of glass door with fixed glass at 90 degrees
- Made of SS 304 which makes the fittings highly corrosion resistant
- Surface polishing with chrome prevents water seeping into the fitting
- Gasket provided to accommodate glass from 8-12 mm
- Suitable for door weight up to 45 kg and width up to 1000 mm
- The door will shut automatically when closed till 30 degrees
- Can be used for two-way operation of door



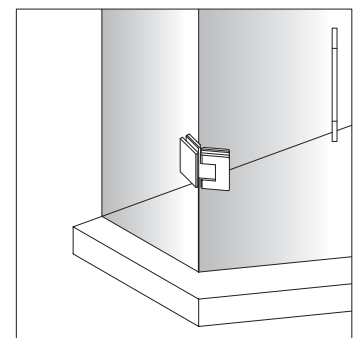
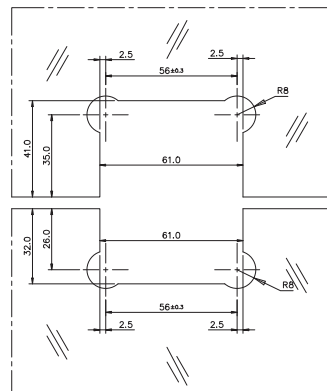
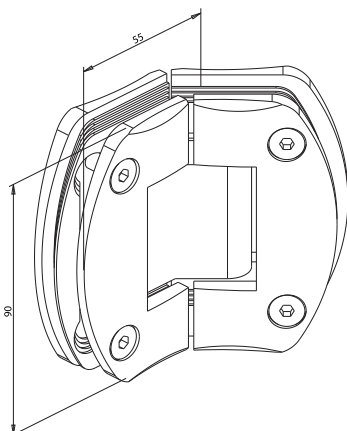
### Kurve Glass to Glass Hinge 135 Degrees

Product code **5764**

Baan code **LKYAHSH14**

#### Features

- Elegant and appealing curvilinear design
- Developed for firm holding of glass door with fixed glass at 135 degrees
- Made of SS 304 which makes the fittings highly corrosion resistant
- Surface polishing with chrome prevents water seeping into the fitting
- Gasket provided to accommodate glass from 8-12 mm
- Suitable for door weight up to 45 kg and width up to 1000 mm
- The door will shut automatically when closed till 30 degrees
- Can be used for two-way operation of door





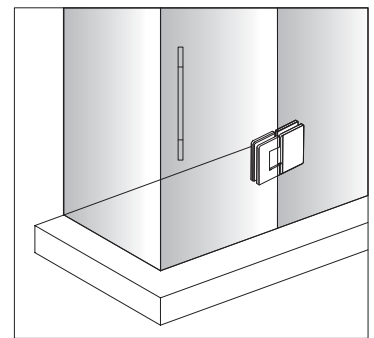
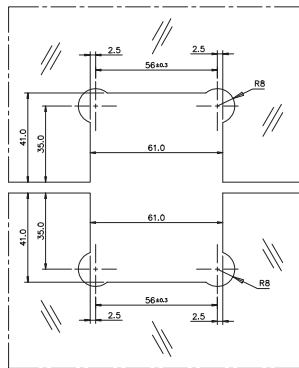
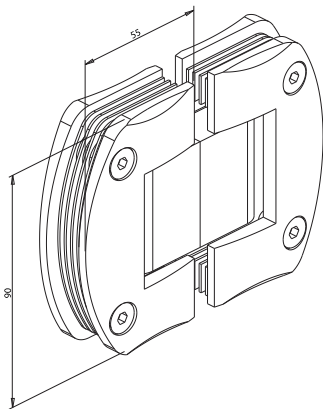
### Kurve Glass to Glass Hinge 180 Degrees

Product code **5759**

Baan code **LKYAHSH13**

#### Features

- Elegant and appealing curvilinear design
- Developed for firm holding of glass door with fixed glass at 180 degrees
- Made of SS 304 which makes the fittings highly corrosion resistant
- Surface polishing with chrome prevents water seeping into the fitting
- Gasket provided to accommodate glass from 8-12 mm
- Suitable for door weight up to 45 kg and width up to 1000 mm
- The door will shut automatically when closed till 30 degrees
- Can be used for two-way operation of door



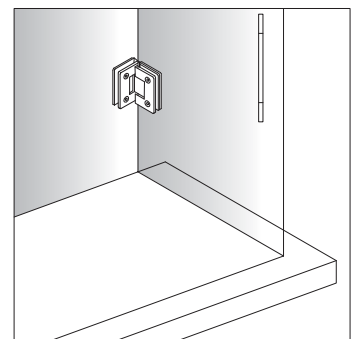
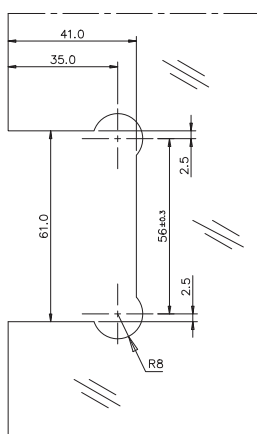
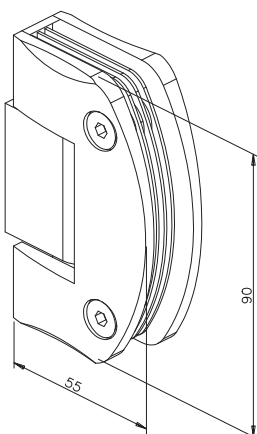
### Kurve Wall to Glass Bracket

Product code **5766**

Baan code **LKYAHSH16**

#### Features

- Elegant and appealing curvilinear design
- Developed for firm holding of glass to the wall
- Made of SS 304 which makes the fittings highly corrosion resistant
- Surface polishing with chrome prevents water seeping into the fitting
- Gasket provided to accommodate glass from 8-12 mm
- Suitable for door weight up to 45 kg and width up to 1000 mm





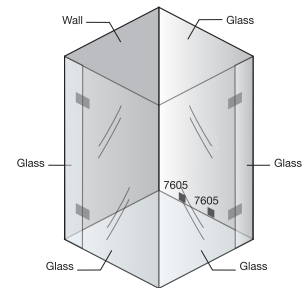
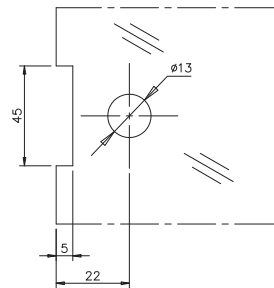
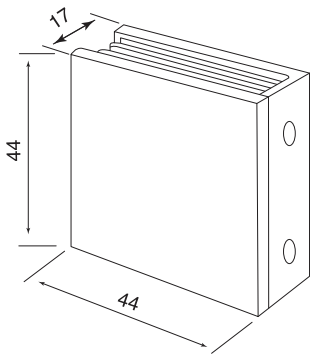
## Wall to Glass Clip

Product code **7605**

Baan code **LKYAHSC01**

### Features

- Shower Clip for firm holding of glass with wall or floor
- Made of SS 304 which makes the fittings highly corrosion resistant
- Surface polishing with chrome prevents water seeping into the fitting
- Gaskets provided to accommodate glass from 8-12 mm thickness and avoid glass damage



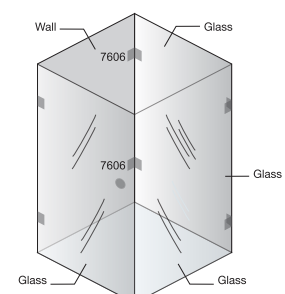
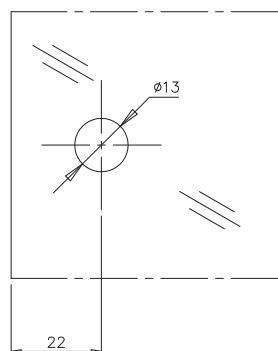
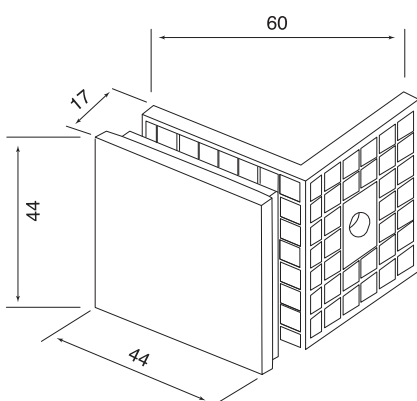
## Wall to Glass Clip 90 Degrees

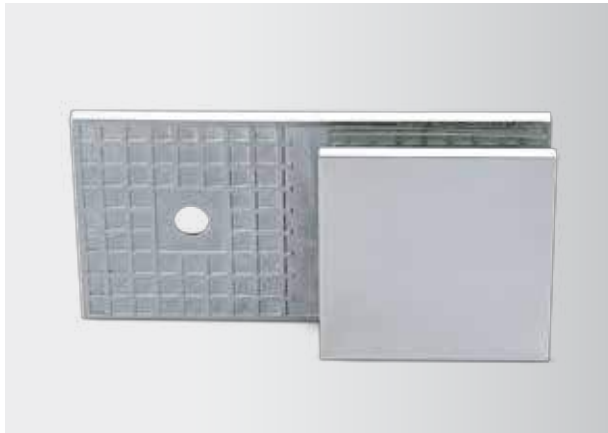
Product code **7606**

Baan code **LKYAHSC02**

### Features

- Shower Clip for firm holding of glass with wall
- Made of SS 304 which makes the fittings highly corrosion resistant
- Surface polishing with chrome prevents water seeping into the fitting
- Gaskets provided to accommodate glass from 8-12 mm thickness and avoid glass damage





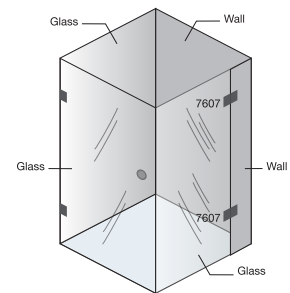
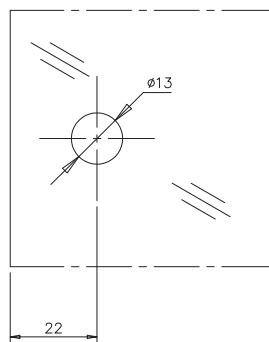
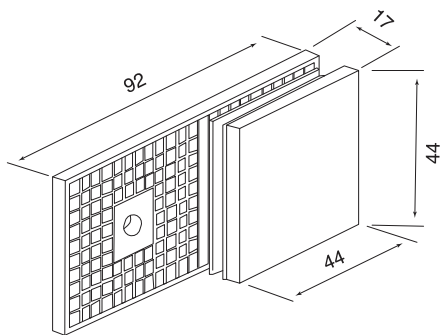
## Wall to Glass Clip 180 Degrees

Product code **7607**

Baan code **LKYAHSC03**

### Features

- Shower Clip for firm holding of fixed glass in line with the wall
- Made of SS 304 which makes the fittings highly corrosion resistant
- Surface polishing with chrome prevents water seeping into the fitting
- Gaskets provided to accommodate glass from 8-12 mm thickness and avoid glass damage



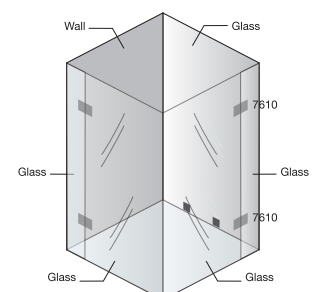
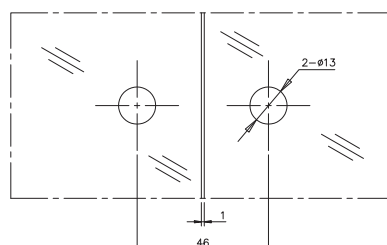
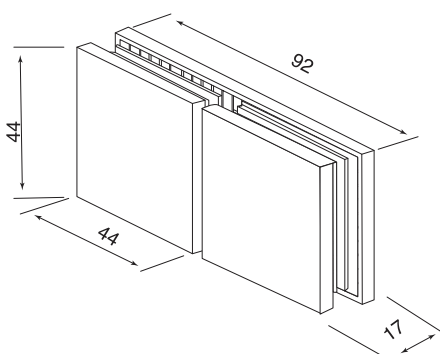
## Glass to Glass Clip 180 Degrees

Product code **7610**

Baan code **LKYAHSC06**

### Features

- Shower Clip for firm holding of fixed glass at 180 degrees
- Made of SS 304 which makes the fittings highly corrosion resistant
- Surface polishing with chrome prevents water seeping into the fitting
- Gaskets provided to accommodate glass from 8-12 mm thickness and avoid glass damage







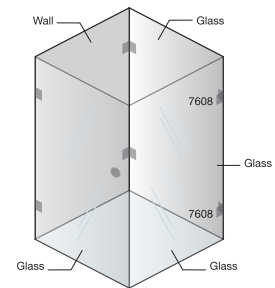
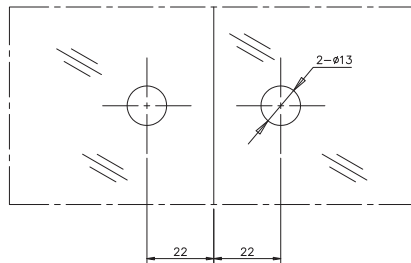
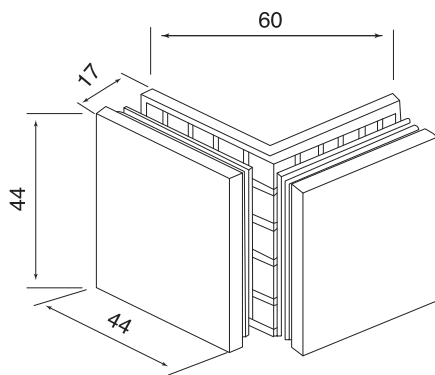
### Glass to Glass Clip 90 Degrees

Product code **7608**

Baan code **LKYAHSC04**

#### Features

- Shower Clip for firm holding of fixed glass at 90 degrees
- Made of SS 304 which makes the fittings highly corrosion resistant
- Surface polishing with chrome prevents water seeping into the fitting
- Gaskets provided to accommodate glass from 8-12 mm thickness and avoid glass damage



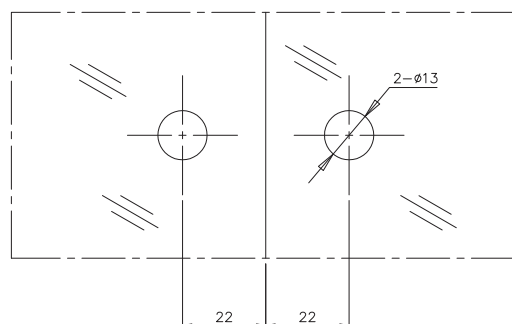
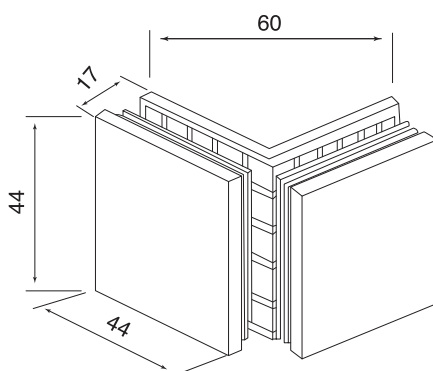
### Glass to Glass Clip 135 Degrees

Product code **7609**

Baan code **LKYAHSC05**

#### Features

- Shower Clip for firm holding of fixed glass at 135 degrees
- Made of SS 304 which makes the fittings highly corrosion resistant
- Surface polishing with chrome prevents water seeping into the fitting
- Gaskets provided to accommodate glass from 8-12 mm thickness and avoid glass damage





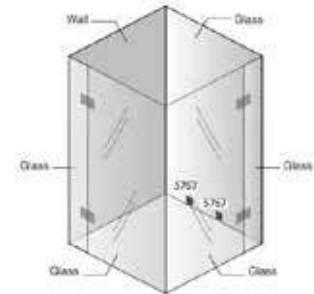
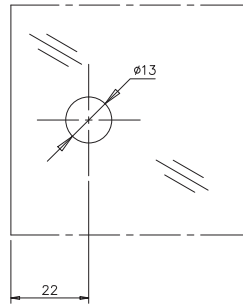
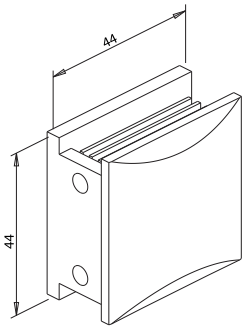
### Kurve Wall to Glass Clip

Product code **5767**

Baan code **LKYAHSC11**

#### Features

- Elegant and appealing curvilinear design
- Shower Clip for firm holding of glass with wall or floor
- Made of SS 304 which makes the fittings highly corrosion resistant
- Surface polishing with chrome prevents water seeping into the fitting
- Gasket provided to accommodate glass from 8-12 mm thickness and avoid glass damage



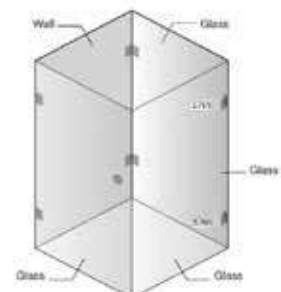
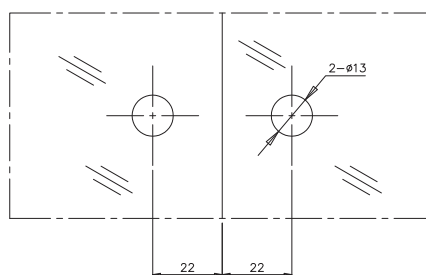
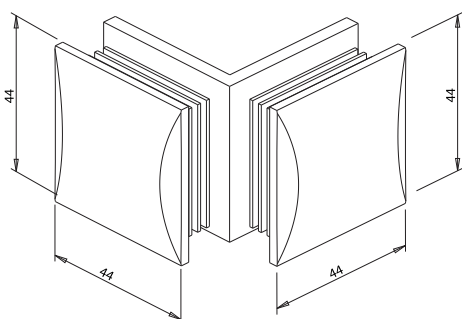
### Kurve G to G Clip 90 Degrees

Product code **5769**

Baan code **LKYAHSC13**

#### Features

- Elegant and appealing curvilinear design
- Shower Clip for firm holding of fixed glass at 90 degrees
- Made of SS 304 which makes the fittings highly corrosion resistant
- Surface polishing with chrome prevents water seeping into the fitting
- Gasket provided to accommodate glass from 8-12 mm thickness and avoid glass damage





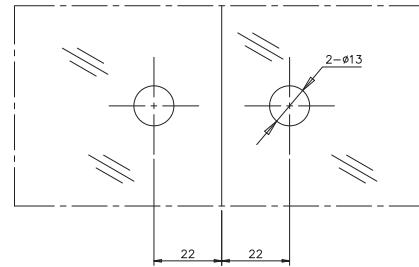
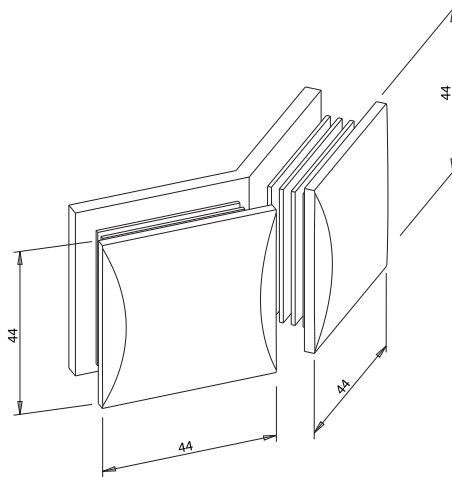
### Kurve G to G Clip 135 Degrees

Product code **5768**

Baan code **LKYAHSC12**

#### Features

- Elegant and appealing curvilinear design
- Shower Clip for firm holding of fixed glass at 135 degrees
- Made of SS 304 which makes the fittings highly corrosion resistant
- Surface polishing with chrome prevents water seeping into the fitting
- Gasket provided to accommodate glass from 8-12 mm thickness and avoid glass damage



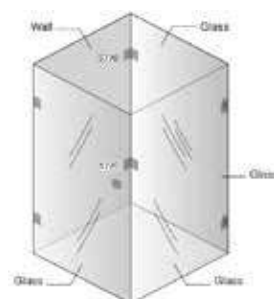
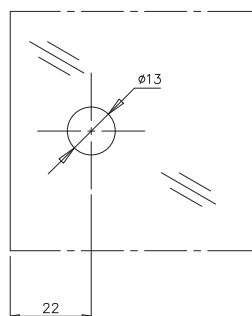
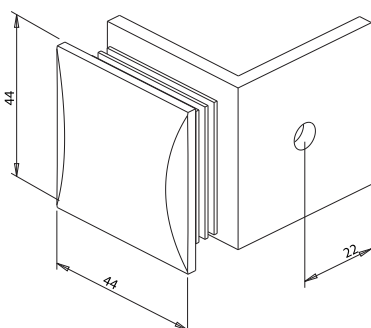
### Kurve W to G Clip 90 Degrees

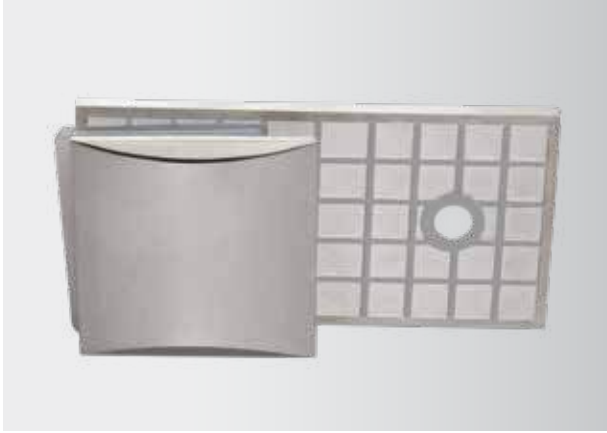
Product code **5770**

Baan code **LKYAHSC14**

#### Features

- Elegant and appealing curvilinear design
- Shower Clip for firm holding of fixed glass in line with the wall
- Made of SS 304 which makes the fittings highly corrosion resistant
- Surface polishing with chrome prevents water seeping into the fitting
- Gasket provided to accommodate glass from 8-12 mm thickness and avoid glass damage





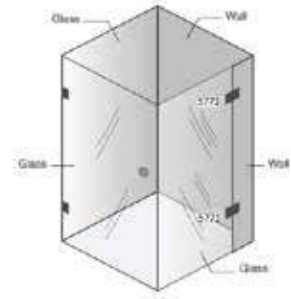
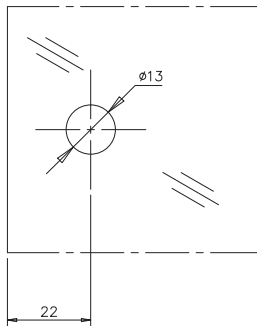
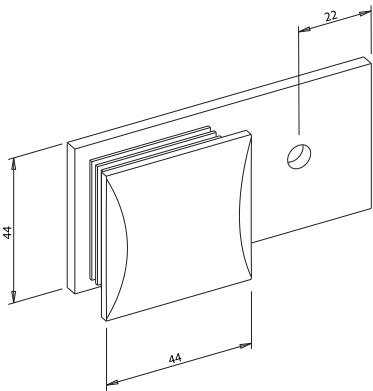
### Kurve W to G Clip 180 Degrees

Product code **5771**

Baan code **LKYAHSC15**

#### Features

- Elegant and appealing curvilinear design
- Shower Clip for firm holding of fixed glass at 135 degrees
- Made of SS 304 which makes the fittings highly corrosion resistant
- Surface polishing with chrome prevents water seeping into the fitting
- Gasket provided to accommodate glass from 8-12 mm thickness and avoid glass damage



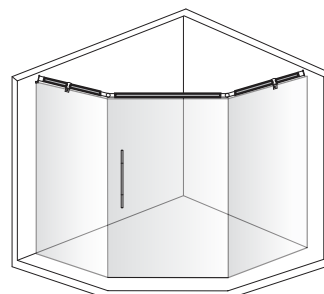
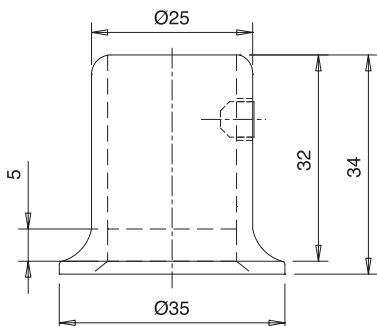
### Shower Header Clip - Wall to Bar

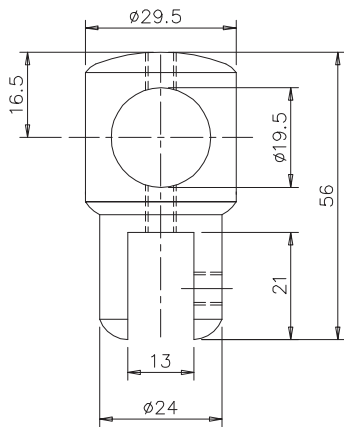
Product code **7615**

Baan code **LKYAHSBC2**

#### Features

- Shower Header Clip to hold pipe with the wall
- Made of brass which makes the fittings highly corrosion resistant and durable
- Surface polishing with chrome prevents water seeping into the fitting
- High load bearing capacity
- Suitable for Ø19 mm pipe





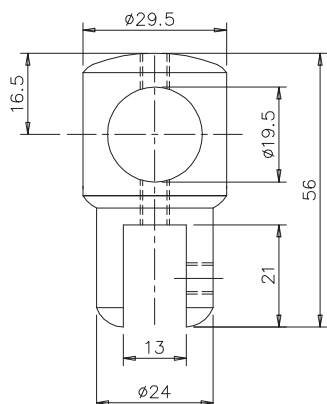
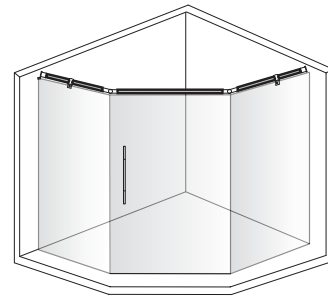
## Shower Header Centre Clip

Product code **7616**

Baan code **LKYAHSBC3**

### Features

- Shower Header Clip to hold reinforcing pipe with the glass
- Made of brass which makes the fittings highly corrosion resistant and durable
- Surface polishing with chrome prevents water seeping into the fitting
- High load bearing capacity
- Suitable for Ø19 mm pipe



## Shower Header Corner Clip

Product code **7617**

Baan code **LKYAHSBC4**

### Features

- Shower Header Clip to hold pipe with the glass
- Made of brass which makes the fittings highly corrosion resistant and durable
- Surface polishing with chrome prevents water seeping into the fitting
- High load bearing capacity
- Suitable for Ø19 mm pipe



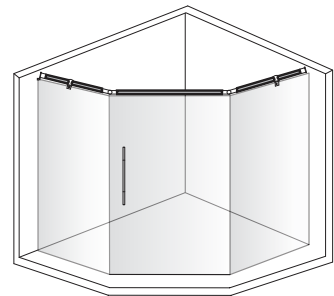
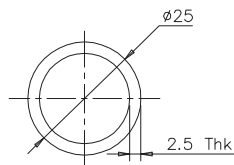
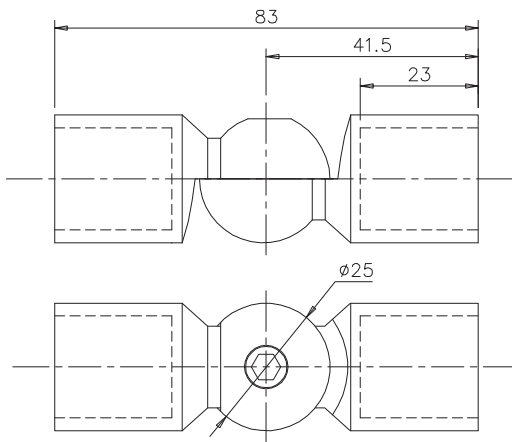
### Two Shower Bar Connector

Product code **7618**

Baan code **LKYAHSBC5**

#### Features

- Shower Header Clip to hold shower bar at any angle between 75 degrees and 285 degrees
- Made of brass which makes the fittings highly corrosion resistant and durable
- Surface polishing with chrome prevents water seeping into the fitting
- High load bearing capacity
- Suitable for Ø19 mm pipe



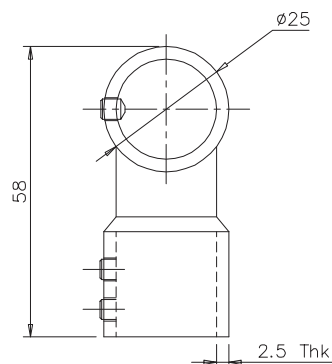
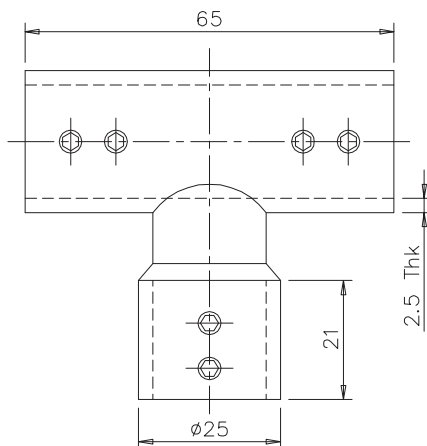
### Three Shower Bar Connector

Product code **7619**

Baan code **LKYAHSBC6**

#### Features

- Shower Header Clip to hold three pipes together
- Made of brass which makes the fittings highly corrosion resistant and durable
- Surface polishing with chrome prevents water seeping into the fitting
- High load bearing capacity
- Suitable for Ø19 mm pipe





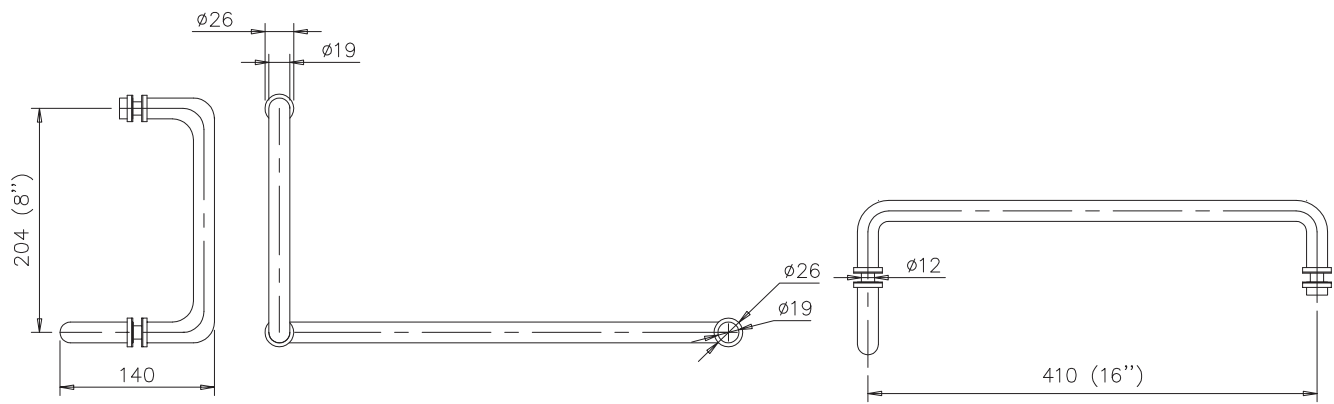


### Shower Cubicle Handle

Product code	<b>3372</b>
Baan code	<b>LKYAKS001</b>

#### Features

- Shower Door Handle with towel handle
- Sleek design
- Towelbar outside and handle inside
- Made of SS 304 which offers high corrosion resistance
- Matt finish

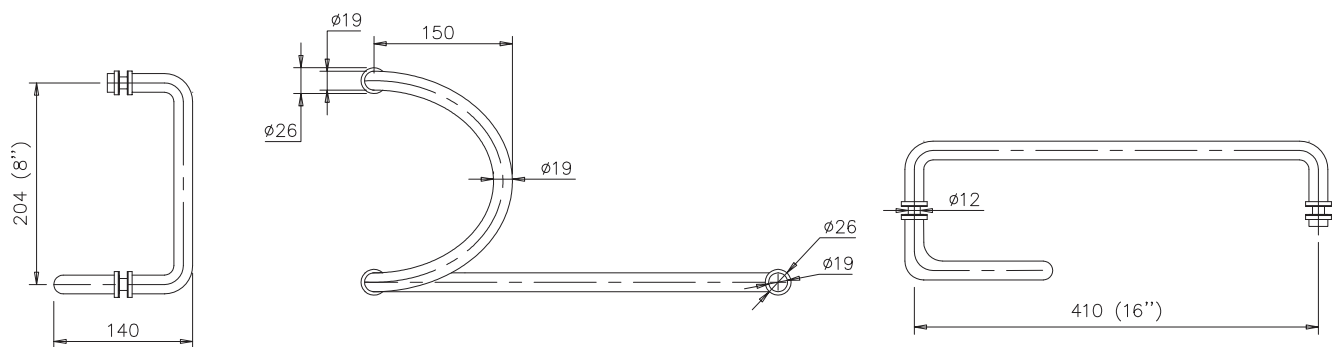


### Shower Cubicle Handle

Product code	<b>3373</b>
Baan code	<b>LKYAKS002</b>

#### Features

- Shower Door Handle with towel handle
- Sleek design
- Towelbar outside and handle inside
- Made of SS 304 which offers high corrosion resistance
- Matt finish





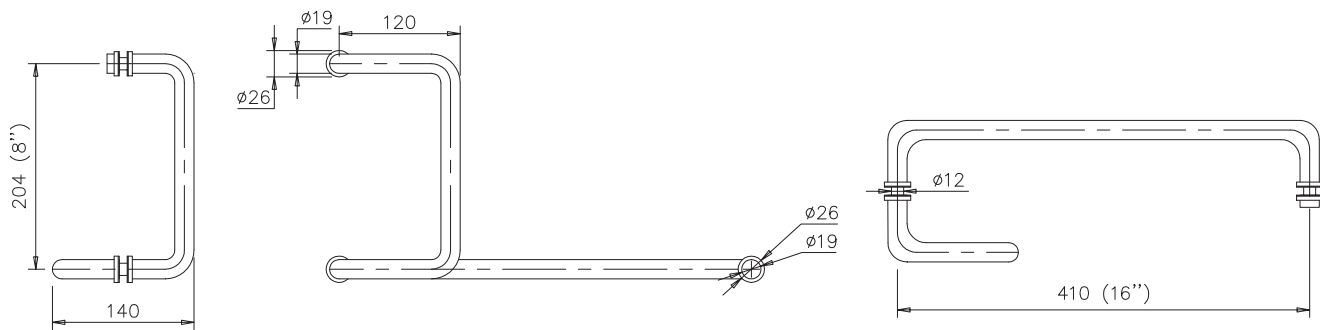
## Shower Cubicle Handle

Product code **3680**

Baan code **LKYAKS009**

### Features

- Shower Door Handle with towel handle
- Sleek design
- Towelbar outside and handle inside
- Made of SS 304 which offers high corrosion resistance
- Matt finish



## Shower Cubicle Handle-01

Product code **5538**

Baan code **LKYGPH022**

### Features

- Shower door handle with towel handle
- Sleek design
- Towelbar outside and handle inside
- Made of SS 304 which offers high corrosion resistance
- Available in matt and chrome finish



### Shower Cubicle Handle-02

Product code **5534**

Baan code **LKYGPH018**

Product code **5535**

Baan code **LKYGPH019**

#### Features

- Shower door knob with towel handle
- Sleek design
- Towelbar outside and knob inside
- Made of SS 304 which offers high corrosion resistance
- Available in matt and chrome finish



### Shower Cubicle Handle-03

Product code **5536**

Baan code **LKYGPH020**

Product code **5537**

Baan code **LKYGPH021**

#### Features

- Shower door knob with towel handle
- Sleek design
- Towelbar outside and knob inside
- Made of SS 304 which offers high corrosion resistance
- Available in matt and chrome finish



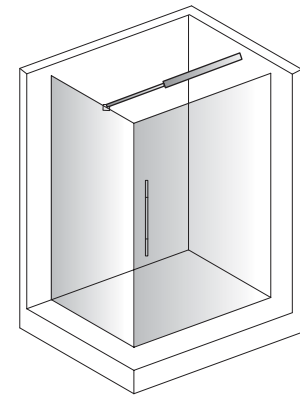
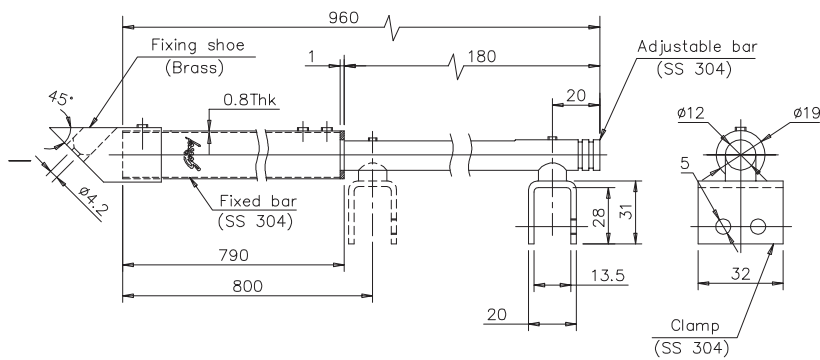
## Shower Header Bar One Side

Product code **7613**

Baan code **LKYAHSB03**

### Features

- Shower Header Bar to hold glass with the wall in an angular manner
- Made of SS 304 which offers high corrosion resistance
- High load bearing capacity
- Gaskets provided to accommodate glass from 8-12 mm thickness and avoid glass damage



## Magnetic Seals - 90 Degrees

Product code **7333 (8 mm)**

Baan code **LKYAPSMS7**

Product code **7334 (10 mm)**

Baan code **LKYAPSMS8**

Product code **7335 (12 mm)**

Baan code **LKYAPSMS9**

### Features

- Made of PVC for durability
- Twin magnetic strips for firm closing



### Magnetic Seals - 135 Degrees

Product code **7330 (8 mm)**

Baan code **LKYAPSMS4**

Product code **7331 (10 mm)**

Baan code **LKYAPSMS5**

Product code **7332 (12 mm)**

Baan code **LKYAPSMS6**

#### Features

- Made of PVC for durability
- Twin magnetic strips for firm closing



### Magnetic Seals - 180 Degrees

Product code **7327 (8 mm)**

Baan code **LKYAPSMS1**

Product code **7328 (10 mm)**

Baan code **LKYAPSMS2**

Product code **7329 (12 mm)**

Baan code **LKYAPSMS3**

#### Features

- Made of PVC for durability
- Twin magnetic strips for firm closing



### One Side Seal

Product code **7336 (8 mm)**

Baan code **LKYAPSOS1**

Product code **7337 (10 mm)**

Baan code **LKYAPSOS2**

Product code **7338 (12 mm)**

Baan code **LKYAPSOS3**

### Features

- Made of PVC for durability
- Soft PVC at the tip to ensure cushion
- Suitable for use between glass and wall



### Central 180 Degrees Weather Seals

Product code **7339 (8 mm)**

Baan code **LKYAPSW1**

Product code **7340 (10 mm)**

Baan code **LKYAPSW2**

Product code **7341 (12 mm)**

Baan code **LKYAPSW3**

### Features

- Made of PVC for durability
- 180 degrees soft PVC at the tip to ensure cushion
- Suitable for use between two glasses



### Water Deflector Seal

Product code **7342 (8 mm)**

Baan code **LKYAPSWD1**

Product code **7343 (10 mm)**

Baan code **LKYAPSWD2**

Product code **7344 (12 mm)**

Baan code **LKYAPSWD3**

### Features

- Made of PVC for durability
- Mop-like shape for proper seepage of water
- Suitable for use at the bottom of glass door



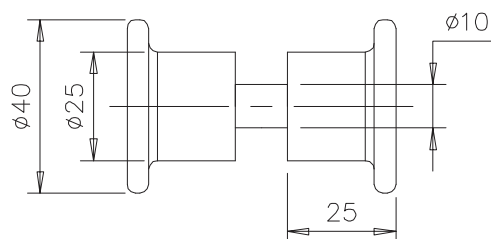
### Shower Door Knob No.1

Product code **3674**

Baan code **LKYAKS201**

### Features

- Made of brass grade making it corrosion resistant and sturdy
- Provided with gaskets to prevent glass damage
- Designed to provide firm grip







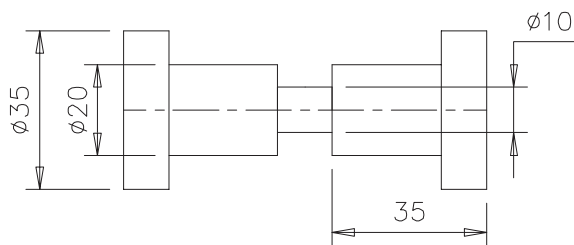
### Shower Door Knob No.2

Product code **3670**

Baan code **LKYAKS216**

#### Features

- Made of brass grade making it corrosion resistant and sturdy
- Provided with gaskets to prevent glass damage
- Designed to provide firm grip



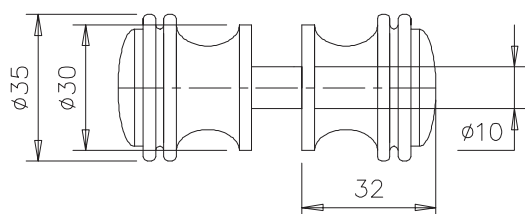
### Shower Door Knob No.3

Product code **3376**

Baan code **LKYAKS220**

#### Features

- Made of brass grade making it corrosion resistant and sturdy
- Provided with gaskets to prevent glass damage
- Designed to provide firm grip





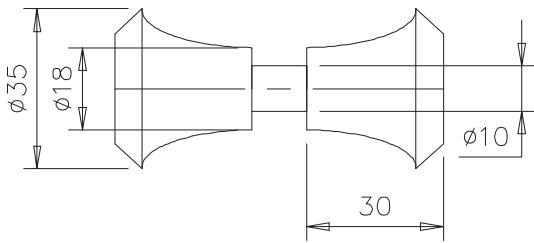
### Shower Door Knob No.4

Product code **3368**

Baan code **LKYAKS215**

#### Features

- Made of Stainless Steel of 304 grade making it corrosion resistant and sturdy
- Provided with gaskets to prevent glass damage
- Designed to provide firm grip



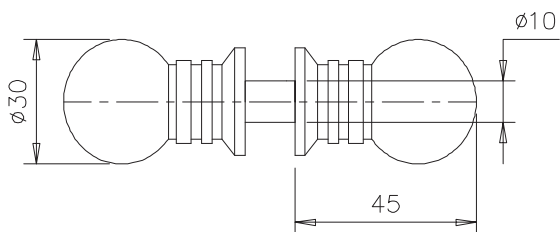
### Shower Door Knob No.5

Product code **3678**

Baan code **LKYAKS226**

#### Features

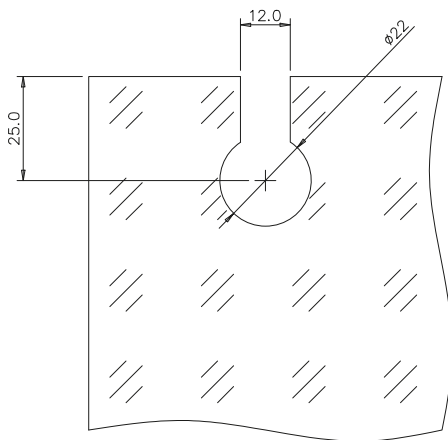
- Made of Stainless Steel of 304 grade making it corrosion resistant and sturdy
- Provided with gaskets to prevent glass damage
- Designed to provide firm grip







- ● Sliding System



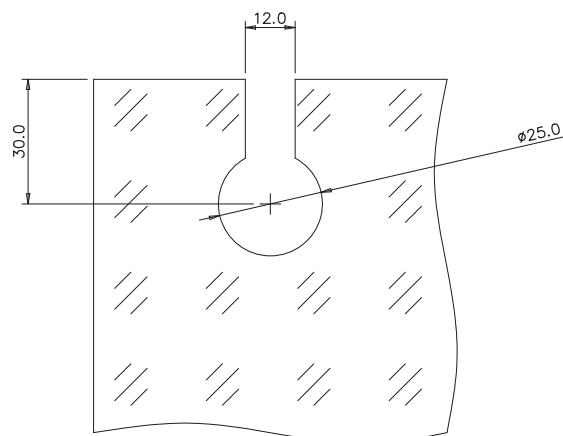
## Glass Sliding Door System GSS144 - 60 kg

Product code **5787**

Baan code **LKYGSF011**

### Features

- SS 304 glass holding point for high corrosion resistance
- Height adjustable glass holder point
- Roller configuration for even distribution of load
- Independently connected rollers to prevent damage to track and rollers
- Suitable for 8 mm to 12 mm glass
- Suitable for door weight 60 kg
- 50,000 cycles tested



## Glass Sliding Door System GSS145 - 80 kg

Product code **5788**

Baan code **LKYGSFA11**

### Features

- Four fiber reinforced plastic rollers of 30 mm diameter
- SS 304 glass holding point for high corrosion resistance
- Height adjustable glass holder point
- Roller configuration for even distribution of load
- Independently connected rollers to prevent damage to track and rollers
- Suitable for 8 mm to 12 mm glass
- Suitable for door weight 80 kg
- 50,000 cycles tested



### Sliding Door track- T1

Product code **5789**

Baan code **LKYGSF012**

#### Features

- Single door track
- Aluminum anodized track
- Wall/Ceiling/Glass mountable
- Small size for better look
- Standard size of 2 meter



### Double Sliding Door track- T2

Product code **5790**

Baan code **LKYGFS013**

#### Features

- Suitable for double door
- Aluminum anodized Track
- Robust in construction
- For ceiling mounting
- Small size for better look
- Standard size of 2 meter



### Double Sliding Door track with fix glass- T3

Product code **5791**

Baan code **LKYGFS014**

#### Features

- Suitable for door and fixed glass
- Aluminum anodized Track
- Robust in construction
- For ceiling mounting
- Small size for better look
- Standard size of 2 meter



### Sliding Door handle-01

Product code **5450**

Baan code **LKYSGH001**

#### Features

- Sliding glass door handle
- SS 304 material for high corrosion resistance
- Glass preparation 48mm diameter hole





### Sliding Door handle-02

Product code **5452**

Baan code **LKYSGH002**

#### Features

- Sliding door through handle
- Ensures better operating comfort
- SS 304 material for high corrosion resistance



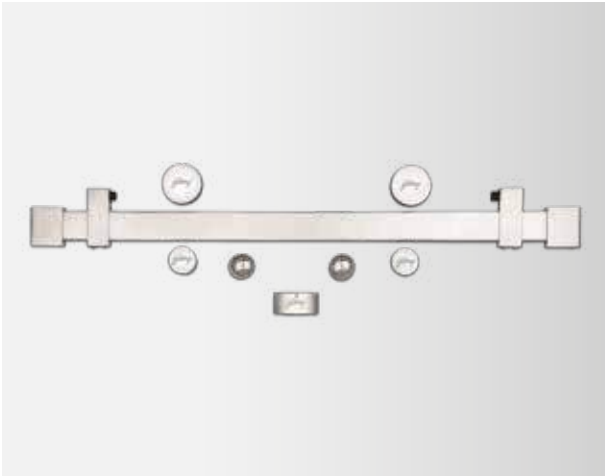
### Sliding Door handle-03

Product code **5452**

Baan code **LKYSGH003**

#### Features

- Sliding door handle
- SS 304 material for high corrosion resistance
- Rectangular shape handle



## Shower sliding system & sliding track

Product code **5792**

Baan code **LKYSGSF85**

Product code **5793**

Baan code **LKYSGSF55**

### Features

- Enhance esthetic appeal of shower cubicle with clean looks of sliding system
- All parts of the sliding system made of stainless steel 304 (SS304) material for rust resistance
- Glossy finish to match with other shower cubicle accessories
- Easy to accommodate 8mm to 12mm of glass thickness with a weight capacity of 65kg.
- Shower sliding track made of stainless steel 304 (SS304) material for rust resistance
- Shower sliding track is of length 2 meters
- Durability tested for 50000 lifecycles





- • Floor Springs

## Floor Spring D60

Product code **7477**

Baan code **LKYGDF0FS**



Maximum door weight	<b>60 kg</b>
Maximum door width	<b>900 mm</b>
Product dimensions (LxWxH)	<b>260x106x44.5</b>
Power size	<b>2</b>
Adj. latching speed	<b>Yes</b>
Adj. closing speed	<b>Yes</b>
Hold open	<b>Yes</b>
Lifecycles	<b>1 lakh</b>

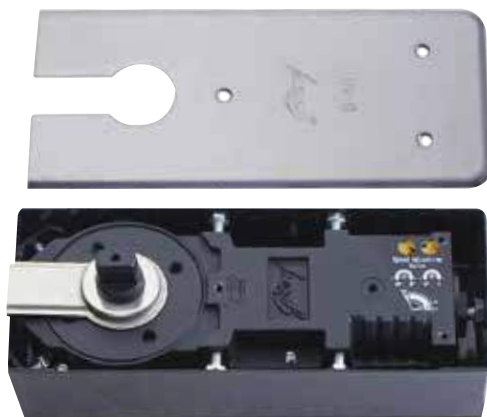
### Features

- Adjustable closing speed and latching speed
- Mechanical hold open at 90 degrees
- High grade cast iron body housed in galvanised steel box
- Thermostable hydraulic fluid to ensure smooth operation in any climatic condition
- Fixed power size - 2
- Maximum closing moment - 22 Nm
- SS 304 Coverplate for high corrosion resistance

## Floor Spring D80

Product code **8293**

Baan code **LKYGDF00A**



Maximum door weight	<b>80 kg</b>
Maximum door width	<b>950 mm</b>
Product dimensions (LxWxH)	<b>256x105x50</b>
Power size	<b>2</b>
Adj. latching speed	<b>Yes</b>
Adj. closing speed	<b>Yes</b>
Lifecycles	<b>1 lakh</b>

### Features

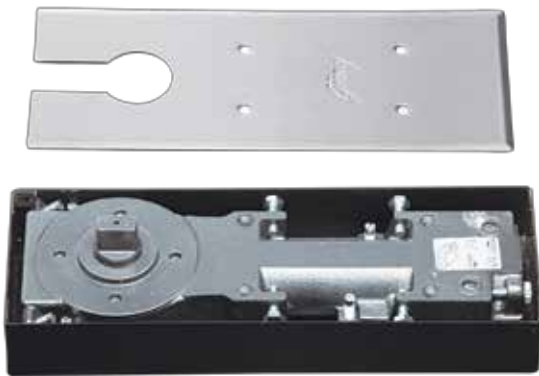
- Adjustable closing speed and latching speed
- Mechanical hold open at 90 degrees
- High grade cast iron body housed in galvanised steel box
- Thermostable hydraulic fluid to ensure smooth operation in any climatic condition
- Fixed power size - 2
- Maximum closing moment - 22 Nm
- SS 304 Coverplate for high corrosion resistance



## Floor Spring B710

Product code **8341**

Baan code **LKYGDF710**



Maximum door weight	<b>80 kg</b>
Maximum door width	<b>950 mm</b>
Product dimensions (LxWxH)	<b>274x97x40</b>
Power size	<b>2</b>
Adj. latching speed	<b>Yes</b>
Adj. closing speed	<b>Yes</b>
Hold open	<b>Yes</b>
Lifecycles	<b>1 lakh</b>

### Features

- Adjustable closing speed and latching speed
- Installation height at 40 mm which enables thin slab application
- Mechanical hold open at 90 degrees
- High grade cast iron body housed in galvanised steel box
- Thermostable hydraulic fluid to ensure smooth operation in any climatic condition
- Fixed power size - 2
- Maximum closing moment - 20 Nm
- SS 304 Coverplate for high corrosion resistance

## Floor Spring D100

Product code **8294**

Baan code **LKYGDF00B**



Maximum door weight	<b>100 kg</b>
Maximum door width	<b>1050 mm</b>
Product dimensions (LxWxH)	<b>308x108x40</b>
Power size	<b>3</b>
Adj. latching speed	<b>Yes</b>
Adj. closing speed	<b>Yes</b>
Hold open	<b>Yes</b>
Lifecycles	<b>5 lakh</b>
EN rating	<b>Yes</b>
Fire rating	<b>Yes</b>

### Features

- Adjustable closing speed and latching speed
- Installation height at 40 mm which enables thin slab application
- Mechanical hold open at 90 degrees
- High grade cast iron body housed in galvanised steel box
- Thermostable hydraulic fluid to ensure smooth operation in any climatic condition
- Fixed power size - 3
- Maximum closing moment - 22 Nm
- SS 304 Coverplate for high corrosion resistance

## Super Heavy Duty Floor Spring D120

Product code **7381**

Baan code **LKYGDF00G**



Maximum door weight	<b>120 kg</b>
Maximum door width	<b>1250 mm</b>
Product dimensions (LxWxH)	<b>308x108x40</b>
Power size	<b>4</b>
Adj. latching speed	<b>Yes</b>
Adj. closing speed	<b>Yes</b>
Hold open	<b>Yes</b>
Lifecycles	<b>5 lakh</b>
EN rating	<b>Yes</b>
Fire rating	<b>Yes</b>

### Features

- Adjustable closing speed and latching speed
- Mechanical hold open at 90 degrees
- Installation height at 40 mm which enables thin slab application
- High grade cast iron body housed in galvanised steel box
- Thermostable hydraulic fluid to ensure smooth operation in any climatic condition
- Fixed power size - 4
- Maximum closing moment - 33 Nm
- SS 304 Coverplate for high corrosion resistance



## Super Heavy Duty Floor Spring D150

Product code **7382**

Baan code **LKYGDF00H**



Maximum door weight	<b>150 kg</b>
Maximum door width	<b>1300 mm</b>
Product dimensions (LxWxH)	<b>308x108x40</b>
Power size	<b>4</b>
Adj. latching speed	<b>Yes</b>
Adj. closing speed	<b>Yes</b>
Hold open	<b>Yes</b>
Lifecycles	<b>5 lakh</b>
EN rating	<b>Yes</b>
Fire rating	<b>Yes</b>

### Features

- Adjustable closing speed and latching speed
- Installation height at 40 mm which enables thin slab application
- Mechanical hold open at 90 degrees
- High grade cast iron body housed in galvanised steel box
- Thermostable hydraulic fluid to ensure smooth operation in any climatic condition
- Fixed power size - 4
- Maximum closing moment - 22 Nm
- SS 304 Coverplate for high corrosion resistance





## Floor Spring B803

Product code **7886**

Baan code **LKYGDF803**



Maximum door weight	<b>80 kg</b>
Maximum door width	<b>1000 mm</b>
Product dimensions (LxWxH)	<b>307x108x40</b>
Power size	<b>3</b>
Adj. latching speed	<b>Yes</b>
Adj. closing speed	<b>Yes</b>
Hold open	<b>No</b>
Lifecycles	<b>5 lakh</b>
EN rating	<b>Yes</b>
Fire rating	<b>Yes</b>

### Features

- Adjustable closing speed and latching speed
- Installation height at 40 mm which enables thin slab application
- High grade cast iron body housed in galvanised steel box
- Thermostable hydraulic fluid to ensure smooth operation in any climatic condition
- Fixed power size - 3
- Maximum closing moment - 25 Nm
- SS 304 Coverplate for high corrosion resistance
- EN Certified and CE Marked



## Floor Spring B804

Product code **7887**

Baan code **LKYGDF804**



Maximum door weight	<b>100 kg</b>
Maximum door width	<b>1100 mm</b>
Product dimensions (LxWxH)	<b>307x108x40</b>
Power size	<b>4</b>
Adj. latching speed	<b>Yes</b>
Adj. closing speed	<b>Yes</b>
Hold open	<b>No</b>
Lifecycles	<b>5 lakh</b>
EN rating	<b>Yes</b>
Fire rating	<b>Yes</b>

### Features

- Adjustable closing speed and latching speed
- Installation height at 40 mm which enables thin slab application
- High grade cast iron body housed in galvanised steel box
- Thermostable hydraulic fluid to ensure smooth operation in any climatic condition
- Fixed power size - 4
- Maximum closing moment - 25 Nm
- SS 304 Coverplate for high corrosion resistance
- EN Certified and CE Marked



## Floor spring DCF-80

Product code **5749**

Baan code **LKYGDF802**



Maximum door weight	<b>80 kg</b>
Maximum door width	<b>1050 mm</b>
Product dimensions (LxWxH)	<b>308x109x43.5</b>
Power size	<b>3</b>
Adj. latching speed	<b>Yes</b>
Adj. closing speed	<b>Yes</b>
Hold open	<b>Yes</b>
Lifecycles	<b>1 lakh</b>

### Features

- Double cylinder floor spring
- Adjustable closing speed and latching speed
- Mechanical hold open at 90 degree
- High grade cast iron body housed in galvanised steel box
- Thermostable hydraulic fluid to ensure smooth operation in any climatic condition
- Fixed power size of 3
- Maximum closing moment-22Nm
- SS304 cover plate for high corrosion resistance



The desire to create is one of the deepest yearnings of the human soul.

*- Elder Uchidof*









- ● Balustrades



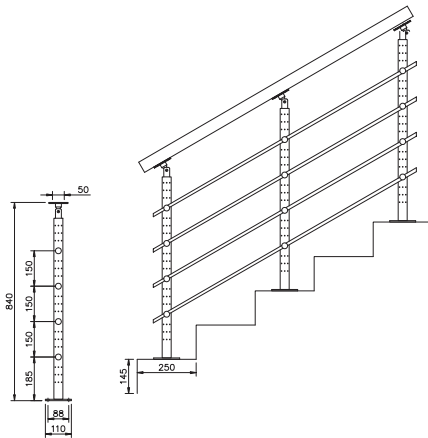
## SS Railing with 4 Wire Locators

Product code **9381**

Baan code **LKYAR0001**

### Features

- SS 304 Grade balustrade for strength and high corrosion resistance
- Suitable for pipes
- Suitable for handrails and midrails
- Surface mounted



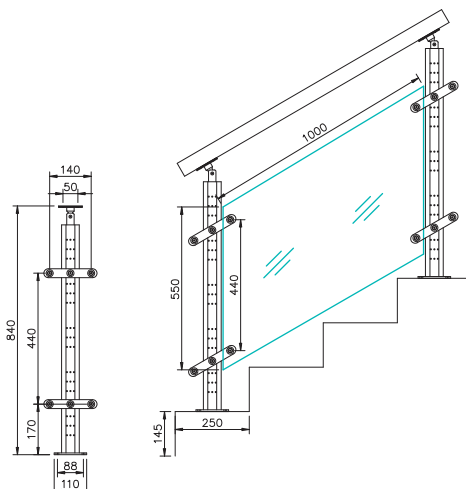
## SS Railing with 2 Glass Holders

Product code **3013**

Baan code **LKYAR0006**

### Features

- SS 304 Grade balustrade for strength and high corrosion resistance
- Suitable for glass structure
- Surface mounted





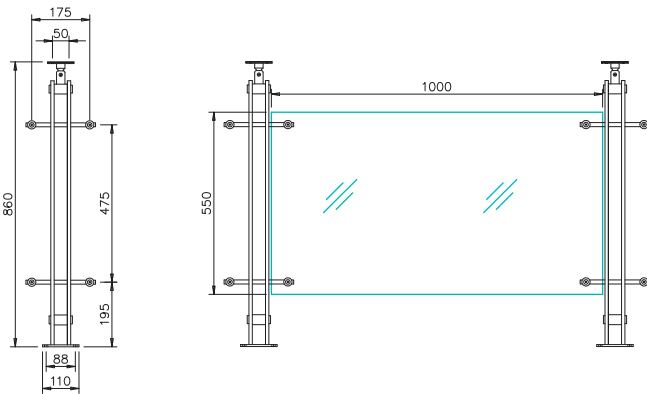
### SS Railing with 2 Glass Holders

Product code **9382**

Baan code **LKYAR0014**

#### Features

- SS 304 Grade balustrade for strength and high corrosion resistance
- Suitable for glass structure
- Surface mounted



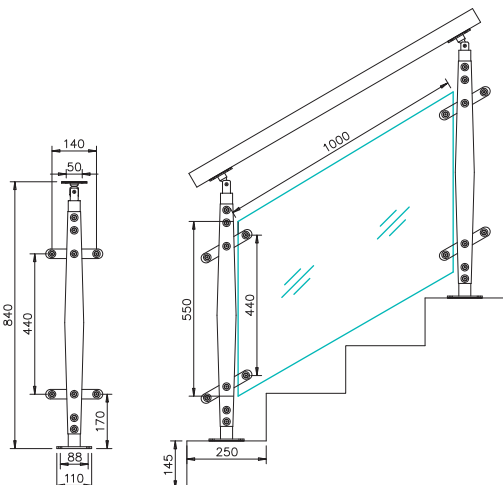
### SS Railing with 2 Glass Holders

Product code **9383**

Baan code **LKYAR0020**

#### Features

- SS 304 Grade balustrade for strength and high corrosion resistance
- Suitable for glass structure
- Surface mounted







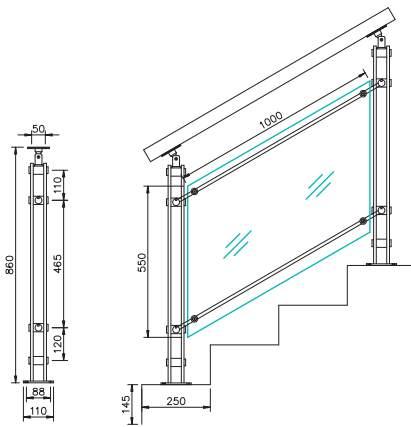
## SS Railing with 2 Wire Locators

Product code **9384**

Baan code **LKYAR0021**

### Features

- SS 304 Grade balustrade for strength and high corrosion resistance
- Suitable for glass structure
- Surface mounted



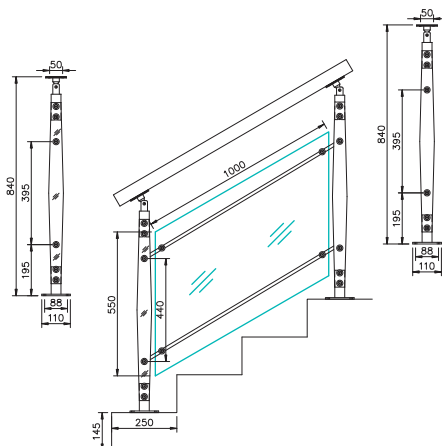
## Wooden Railing with 2 Inbound Wire Locators

Product code **9385**

Baan code **LKYAR0029**

### Features

- Wooden railing for aesthetic appeal
- Suitable for pipes and glass
- Suitable for handrails and midrails
- Surface mounted





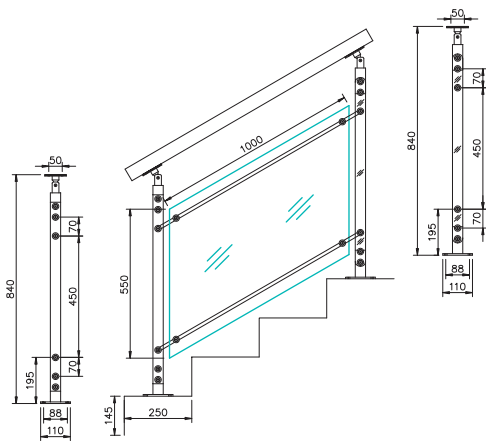
## Orange Wooden Railing with 2 Inbound Wire Locators

Product code **9386**

Baan code **LKYAR0030**

### Features

- Orange finish wooden railing for aesthetic appeal
- Suitable for pipes and glass
- Suitable for handrails and midrails
- Surface mounted



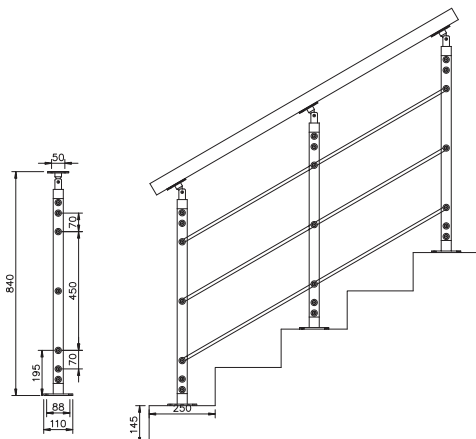
## Black Wooden Railing with 3 Inbound Wire Locators

Product code **9387**

Baan code **LKYAR0032**

### Features

- Black finish wooden railing for aesthetic appeal
- Suitable for pipes
- Suitable for handrails and midrails
- Surface mounted





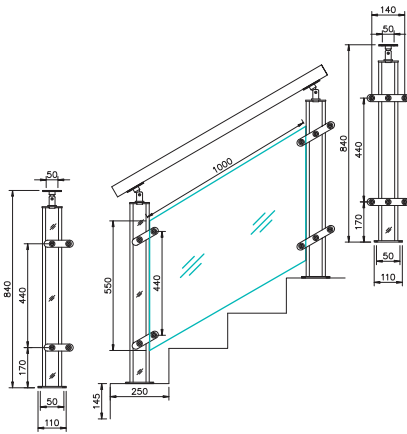
## Wooden Railing with 2 Glass Holders

Product code **9388**

Baan code **LKYAR0035**

### Features

- Wooden railing for aesthetic appeal
- Suitable for glass structure
- Surface mounted



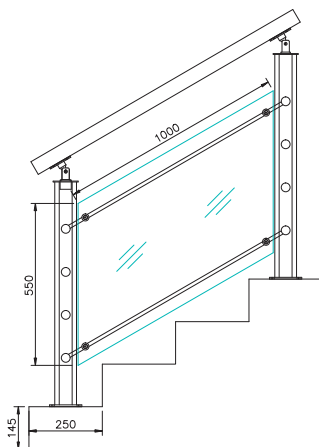
## Wooden Railing with 4 Wire Locators

Product code **9389**

Baan code **LKYAR0037**

### Features

- Wooden railing for aesthetic appeal
- Suitable for pipes
- Suitable for handrails and midrails
- Surface mounted





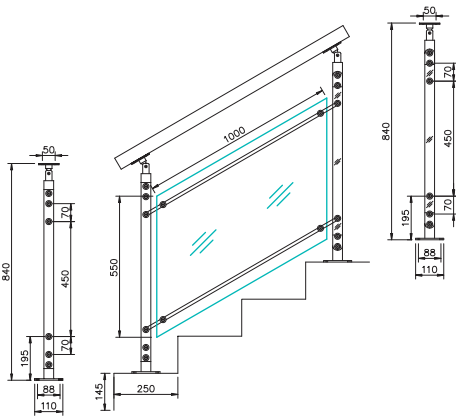
## Blue Acrylic Railing with 2 Inbound Wire Locators

Product code **9390**

Baan code **LKYAR0038**

### Features

- Blue colour acrylic for aesthetic appeal
- Suitable for glass structure
- Suitable for handrails and midrails
- Surface mounted



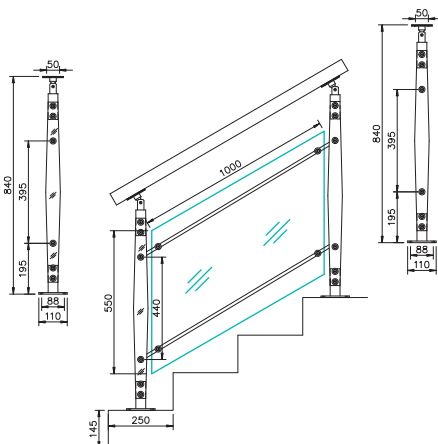
## Blue Acrylic Oblong Railing with 2 Inbound Wire Locators

Product code **9392**

Baan code **LKYAR0042**

### Features

- Blue colour acrylic for aesthetic appeal
- Suitable for glass structure
- Suitable for handrails and midrails
- Surface mounted





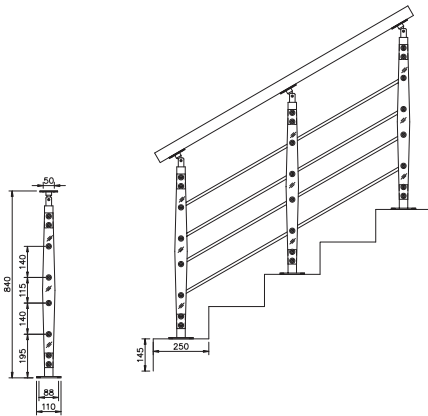
## Yellow Acrylic Railing with 4 Inbound Wire Locators

Product code **9391**

Baan code **LKYAR0043**

### Features

- Yellow colour acrylic for aesthetic appeal
- Suitable for pipes
- Surface mounted



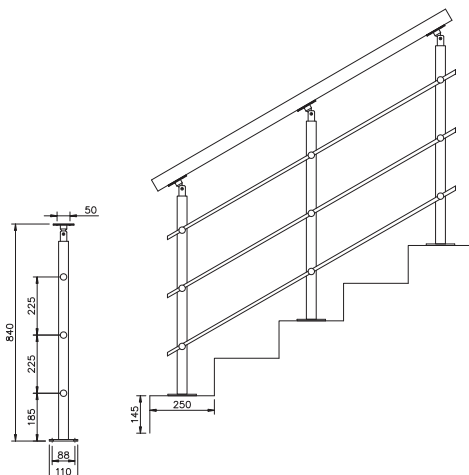
## SS Railing with 3 Wire Locators

Product code **8703**

Baan code **LKYAR0002**

### Features

- SS 304 balustrade for strength and high corrosion resistance
- Suitable for pipes
- Suitable for handrails and midrails
- Surface mounted



Within our dreams and aspirations,  
we find our opportunities.

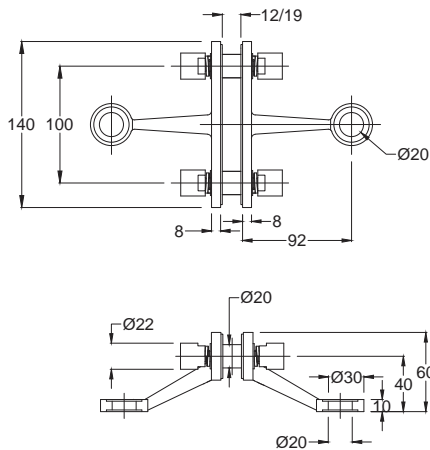
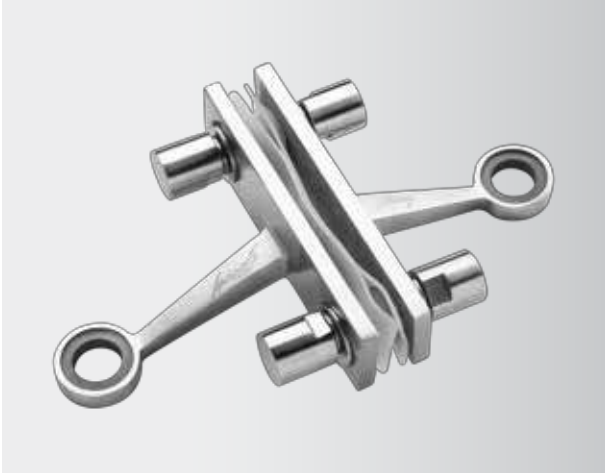
- *Sugar Ray Leonard*







- • Spider Fittings



## 2 Way Spider with Fin - 200

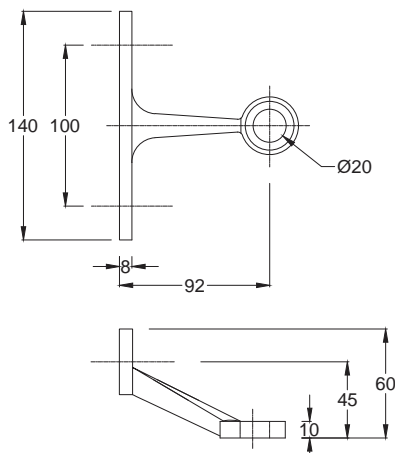
Product code **5539**

Baan code **LKYSFG001**

### Features

- Installed with routels
- Silicon rubber gasket and nylon bush prevent glass damage
- Fin provides firm holding to fin glass
- SS 316 material which makes fitting highly corrosion resistant
- Maximum façade thickness up to 15 mm and fin thickness up to 19 mm
- Available in matt and gloss finish

Product code	Baan code	Finish
5539	LKYSFG001	Matt
5550	LKYSFG012	Gloss



## 1 Way Spider for Ceiling/Wall - 200

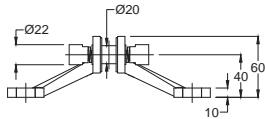
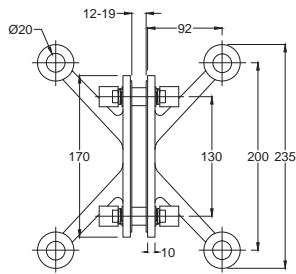
Product code **5540**

Baan code **LKYSFG002**

### Features

- Installed with routels
- For ceiling to glass installation
- SS 316 material which makes fitting highly corrosion resistant
- Supplied with anchor fasteners
- Maximum façade thickness up to 15 mm
- Available in matt and gloss finish

Product code	Baan code	Finish
5540	LKYSFG002	Matt
5551	LKYSFG013	Gloss



### 4 Way Spider with Fin - 200

Product code	<b>5543</b>
Baan code	<b>LKYSFG005</b>

#### Features

- Installed with routels
- Silicon rubber gasket and nylon bush prevent glass damage
- Fin provides firm holding to fin glass
- SS 316 material which makes fitting highly corrosion resistant
- Maximum façade thickness up to 15 mm and fin thickness up to 19 mm
- Available in matt and gloss finish

Product code	Baan code	Finish
5543	LKYSFG005	Matt
5554	LKYSFG016	Gloss



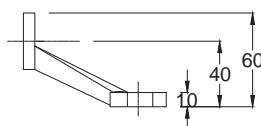
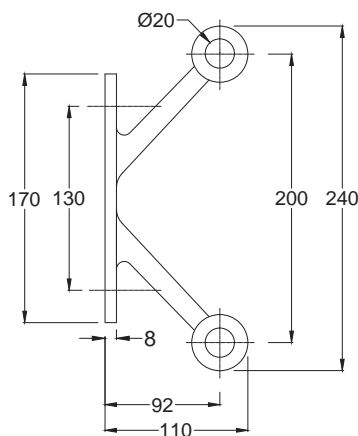
### 2 Way Spider for Ceiling/Wall - 200

Product code	<b>5544</b>
Baan code	<b>LKYSFG006</b>

#### Features

- Attached to fixed structure
- Installed with routels
- SS 316 material which makes fitting corrosion resistant
- Maximum façade thickness up to 15 mm
- Available in matt and gloss finish

Product code	Baan code	Finish
5544	LKYSFG006	Matt
5555	LKYSFG017	Gloss





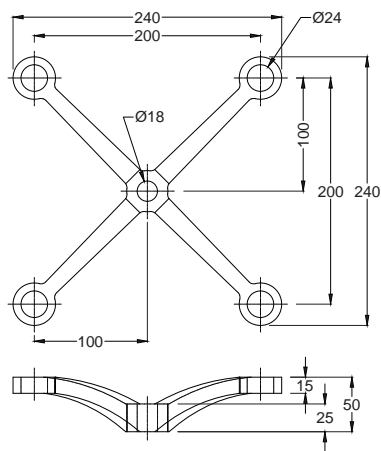
### 4 Way Spider without Fin - 200

Product code **5545**

Baan code **LKYSFG007**

#### Features

- Attached to fixed structure
- Installed with routels
- SS 316 material which makes fitting corrosion resistant
- Maximum façade thickness up to 15 mm
- Available in matt and gloss finish



Product code	Baan code	Finish
5545	LKYSFG007	Matt
5556	LKYSFG018	Gloss



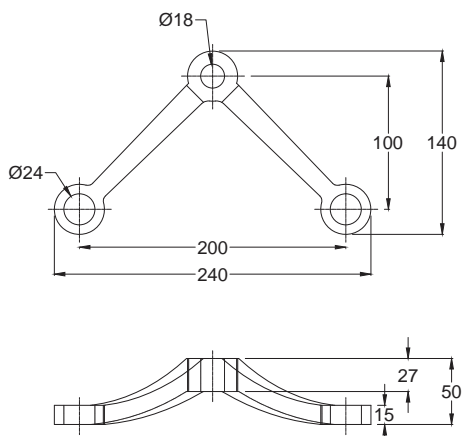
### 2 Way Spider without Fin 90 Deg - 200

Product code **5547**

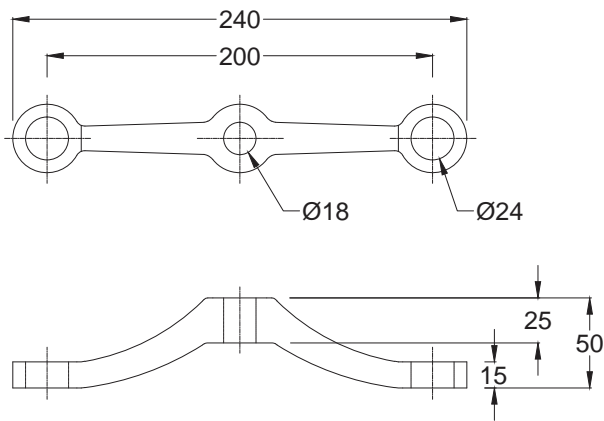
Baan code **LKYSFG009**

#### Features

- Attached to fixed structure
- Installed with routels
- SS 316 material which makes fitting highly corrosion resistant
- Maximum façade thickness up to 15 mm
- Available in matt and gloss finish



Product code	Baan code	Finish
5547	LKYSFG009	Matt
5558	LKYSFG020	Gloss



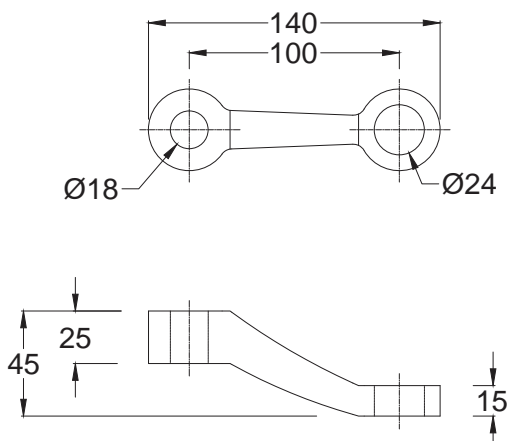
### 2 Way Spider without Fin 180 Deg - 200

Product code	<b>5548</b>
Baan code	<b>LKYSFG010</b>

#### Features

- Installed with routels
- SS 316 material which makes fitting highly corrosion resistant
- Maximum façade thickness up to 15 mm
- Available in matt and gloss finish

Product code	Baan code	Finish
5548	LKYSFG010	Matt
5559	LKYSFG021	Gloss



### 1 Way Spider without Fin - 200

Product code	<b>5549</b>
Baan code	<b>LKYSFG011</b>

#### Features

- Attached to fixed structure
- Installed with routels
- SS 316 material which makes fitting highly corrosion resistant
- Maximum façade thickness up to 15 mm
- Available in matt and gloss finish

Product code	Baan code	Finish
5549	LKYSFG011	Matt
5560	LKYSFG022	Gloss



### 4 Way Spider without Fin - 220

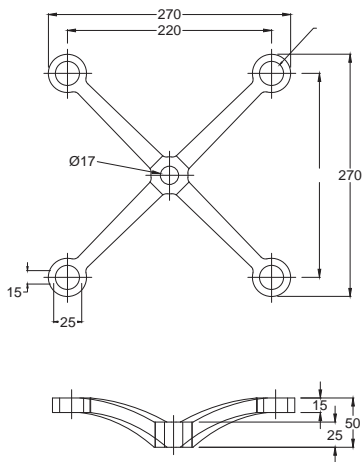
Product code **5561**

Baan code **LKYSFG023**

#### Features

- Centre distance of 220 mm
- Attached to fixed structure
- Installed with routels
- SS 316 material which makes fitting highly corrosion resistant
- Available in matt and gloss finish

Product code	Baan code	Finish
5561	LKYSFG023	Matt
5566	LKYSFG029	Gloss



### 2 Way Spider without Fin 90 Deg - 220

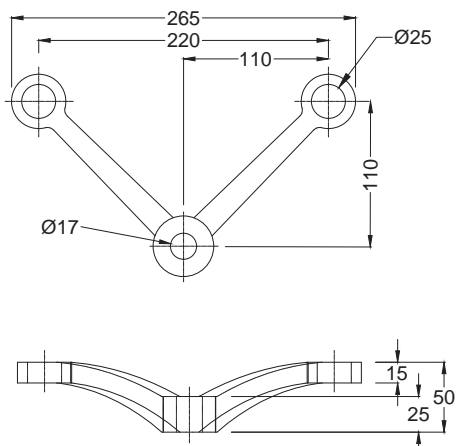
Product code **5563**

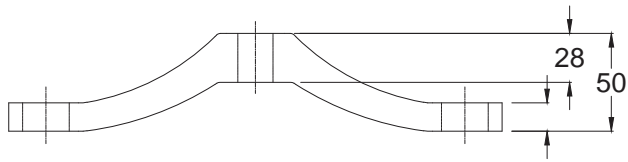
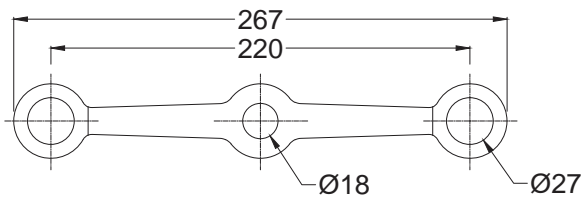
Baan code **LKYSFG025**

#### Features

- Centre distance of 220 mm
- Attached to fixed structure
- Installed with routels
- SS 316 material which makes fitting highly corrosion resistant
- Available in matt and gloss finish

Product code	Baan code	Finish
5563	LKYSFG025	Matt
5568	LKYSFG030	Gloss





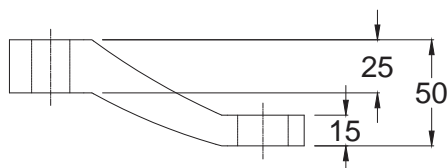
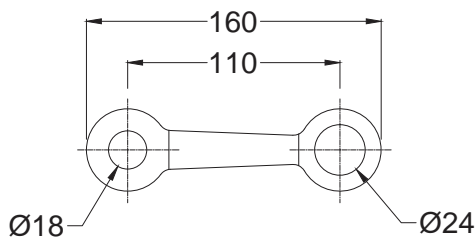
### 2 Way Spider without Fin 180 Deg - 220

Product code	<b>5564</b>
Baan code	<b>LKYSFG026</b>

#### Features

- Centre distance of 220 mm
- Attached to fixed structure
- Installed with routels
- SS 316 material which makes fitting highly corrosion resistant
- Available in matt and gloss finish

Product code	Baan code	Finish
5564	LKYSFG026	Matt
5569	LKYSFG031	Gloss



### 1 Way Spider without Fin - 220

Product code	<b>5565</b>
Baan code	<b>LKYSFG027</b>

#### Features

- Centre distance of 220 mm
- Attached to fixed structure
- Installed with routels
- SS 316 material which makes fitting highly corrosion resistant
- Available in matt and gloss finish

Product code	Baan code	Finish
5565	LKYSFG027	Matt
5570	LKYSFG032	Gloss





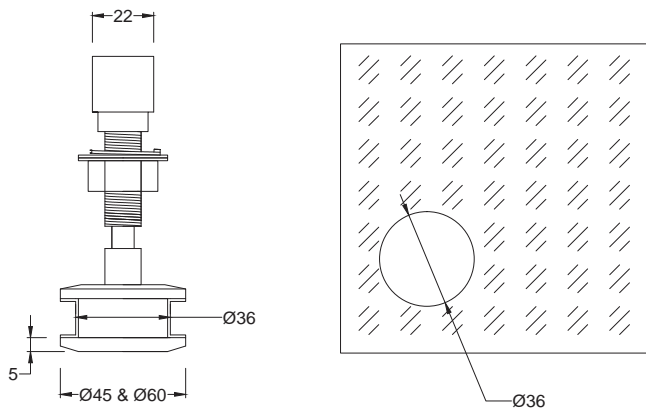
### Articulate Bolt (Counter Sunk Head)

Product code	<b>5571</b>
Baan code	<b>LKYSFG033</b>

#### Features

- Counter Sunk Head Bolt
- Teflon washer to prevent glass damage
- Adjustable up to 15 mm façade thickness
- SS 316 material which makes fitting corrosion resistant
- Available in matt and gloss finish

Product code	Baan code	Finish
5571	LKYSFG033	Matt
5576	LKYSFG038	Gloss



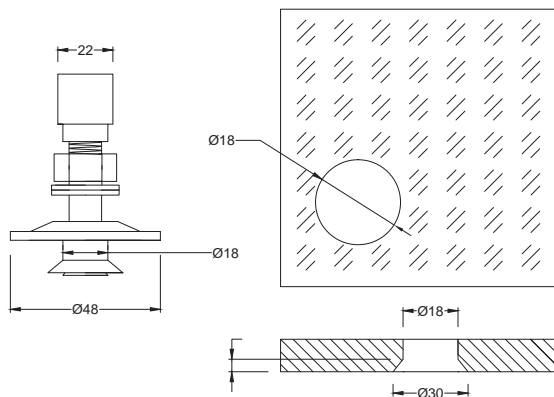
### Fixed Bolt (Counter Sunk Head)

Product code	<b>5572</b>
Baan code	<b>LKYSFG034</b>

#### Features

- Counter Sunk Head Bolt
- Teflon washer to prevent glass damage
- Adjustable up to 15 mm façade thickness
- SS 316 material which makes fitting corrosion resistant
- Available in matt and gloss finish

Product code	Baan code	Finish
5572	LKYSFG034	Matt
5577	LKYSFG039	Gloss





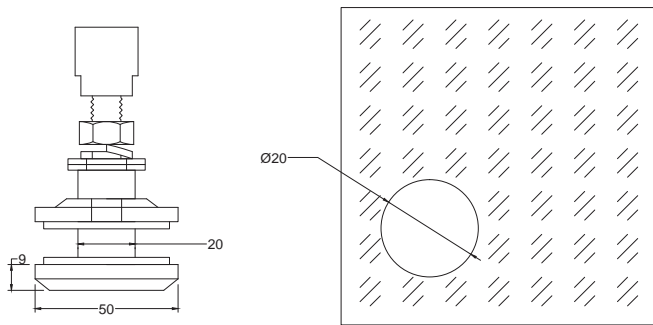
### Fixed Bolt (Flat Head)

Product code	<b>5573</b>
Baan code	<b>LKYSFG035</b>

#### Features

- Counter Flat Head Bolt
- Teflon washer to prevent glass damage
- Adjustable up to 15 mm façade thickness
- SS 316 material which makes fitting corrosion resistant
- Available in matt and gloss finish

Product code	Baan code	Finish
5573	LKYSFG035	Matt
5578	LKYSFG040	Gloss



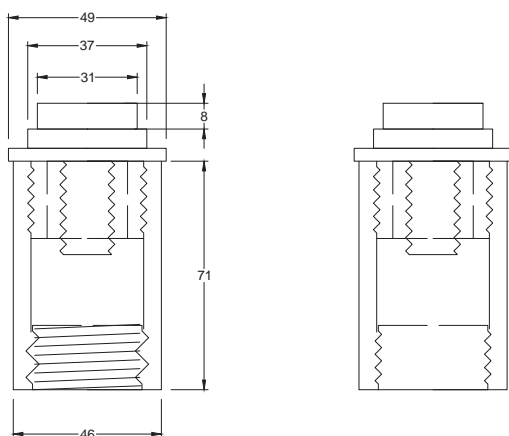
### Holder for w/o Fin Spider

Product code	<b>5574</b>
Baan code	<b>LKYSFG036</b>

#### Features

- Ensure proper gripping without fin spiders
- Bottom part MS for welding compatibility with MS structure
- Top part stainless steel for better aesthetics (SS 304)

Product code	Baan code	Finish
5574	LKYSFG036	Matt
5579	LKYSFG041	Gloss





### Holder for w/o Fin Spider (SS316)

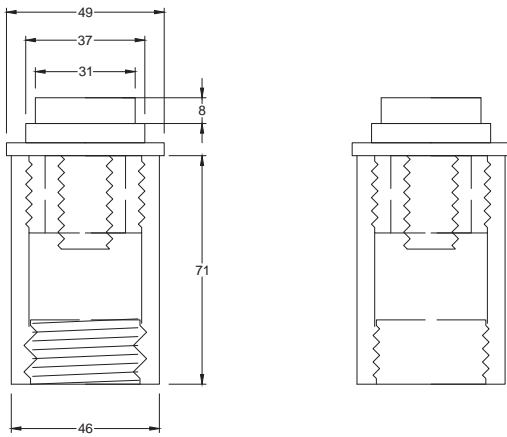
Product code **5575**

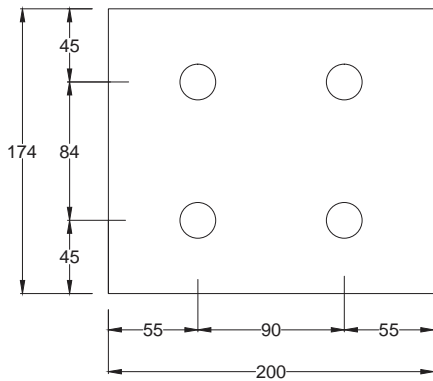
Baan code **LKYSFG037**

#### Features

- Ensure proper gripping without fin spiders
- Base and top part made of complete SS 316

Product code	Baan code	Finish
5575	LKYSFG037	Matt
5580	LKYSFG042	Gloss





Glass Hole Diameter = Ø22mm

## Splice Plate 200 mm

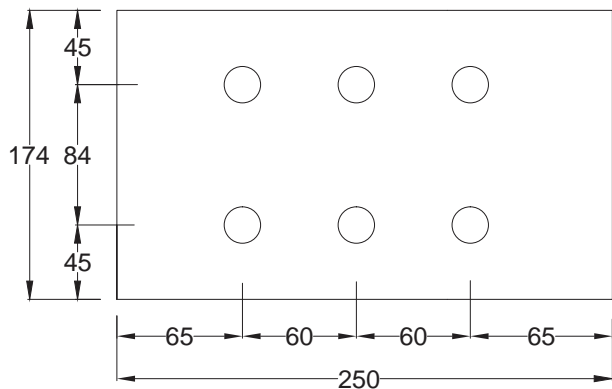
Product code **5581**

Baan code **LKYSFG043**

### Features

- Splice Plate 200 mm
- Two point holding with each fin part
- Silicon rubber gasket and nylon bush prevent glass damage
- SS 304 material which makes fitting corrosion resistant
- Available in matt and gloss finish

Product code	Baan code	Finish
5581	LKYSFG043	Matt
5586	LKYSFG048	Gloss



Glass Hole Diameter = Ø22mm

## Splice Plate 250 mm

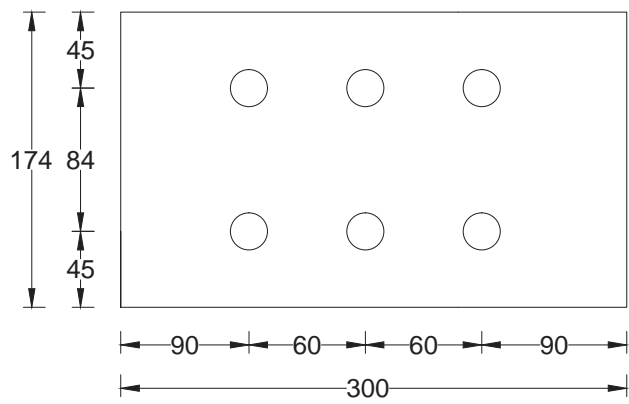
Product code **5582**

Baan code **LKYSFG044**

### Features

- Splice Plate 250 mm
- Three point holding with each fin part
- Silicon rubber gasket and nylon bush prevent glass damage
- SS 304 material which makes fitting corrosion resistant
- Available in matt and gloss finish

Product code	Baan code	Finish
5582	LKYSFG044	Matt
5587	LKYSFG049	Gloss



Glass Hole Diameter = Ø22mm

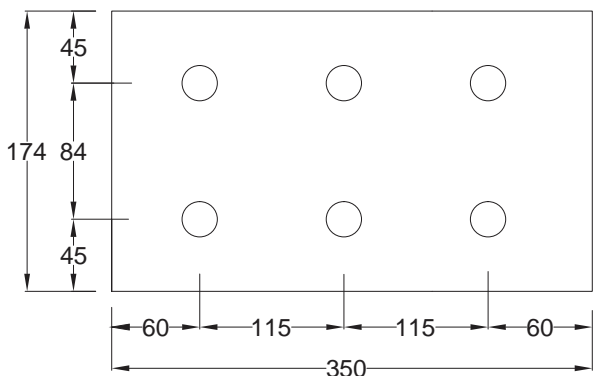
### Splice Plate 300 mm

Product code	<b>5583</b>
Baan code	<b>LKYSFG045</b>

#### Features

- Splice P late 300 mm
- Three point holding with each fin part
- Silicon rubber gasket and nylon bush prevent glass damage
- SS 304 material which makes fitting corrosion resistant
- Available in matt and gloss finish

Product code	Baan code	Finish
5583	LKYSFG045	Matt
5588	LKYSFG050	Gloss



Glass Hole Diameter = Ø22mm

### Splice Plate 350 mm

Product code	<b>5584</b>
Baan code	<b>LKYSFG046</b>

#### Features

- Splice Plate 350 mm
- Three point holding with each fin part
- Silicon rubber gasket and nylon bush prevent glass damage
- SS 304 material which makes fitting corrosion resistant
- Available in matt and gloss finish

Product code	Baan code	Finish
5584	LKYSFG046	Matt
5589	LKYSFG051	Gloss



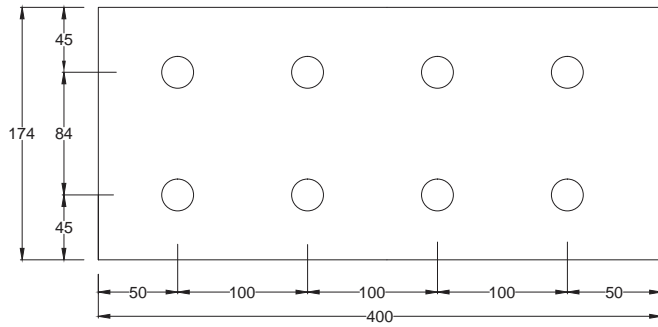
## Splice Plate 400 mm

Product code **5585**

Baan code **LKYSFG047**

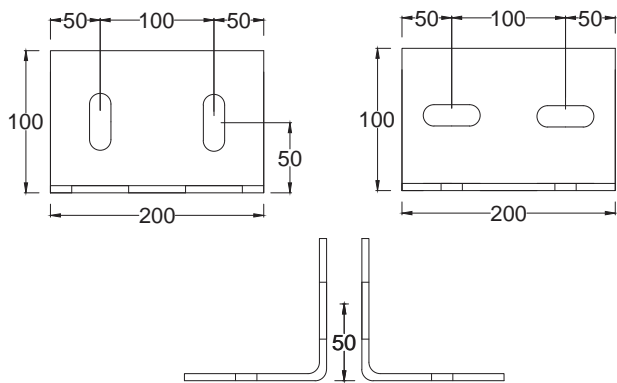
### Features

- Splice Plate 400 mm
- Four point holding with each fin part
- Silicon rubber gasket and nylon bush prevent glass damage
- SS 304 material which makes fitting corrosion resistant
- Available in matt and gloss finish



Glass Hole Diameter =  $\varnothing$ 22mm

Product code	Baan code	Finish
5585	LKYSFG047	Matt
5590	LKYSFG052	Gloss



Ovalhole Size 15X40 mm

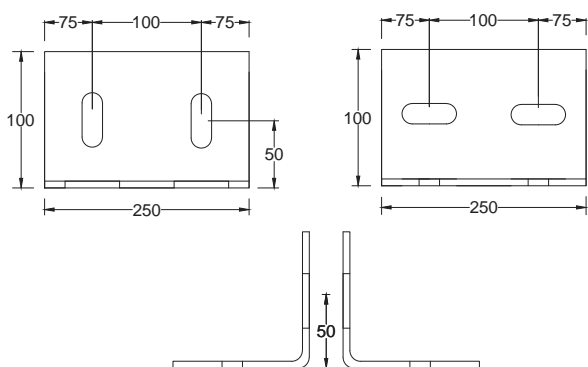
### Fin Plate 200 mm

Product code	<b>5591</b>
Baan code	<b>LKYSFG053</b>

#### Features

- Fin Plate 200 mm
- Two point holding of fin
- Elongated holes allow installation flexibility
- Silicon rubber gasket and nylon bush prevent glass damage
- Flat base to hold strongly with floor or ceiling
- SS 304 material which makes fitting corrosion resistant
- Available in matt and gloss finish

Product code	Baan code	Finish
5591	LKYSFG053	Matt
5596	LKYSFG058	Gloss



Ovalhole Size 15X40 mm

### Fin Plate 250 mm

Product code	<b>5592</b>
Baan code	<b>LKYSFG054</b>

#### Features

- Fin Plate 250 mm
- Two point holding of fin
- Elongated holes allow installation flexibility
- Silicon rubber gasket and nylon bush prevent glass damage
- Flat base to hold strongly with floor or ceiling
- SS 304 material which makes fitting corrosion resistant
- Available in matt and gloss finish

Product code	Baan code	Finish
5592	LKYSFG054	Matt
5597	LKYSFG059	Gloss





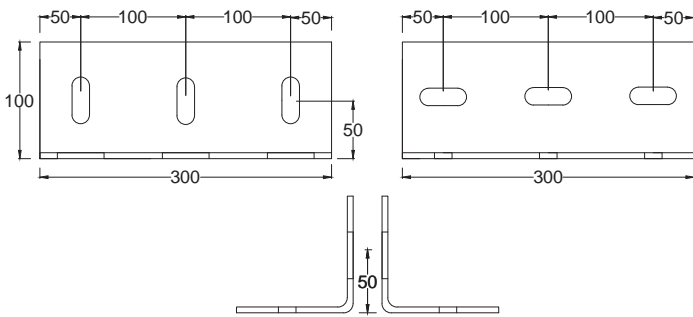
### Fin Plate 300 mm

Product code	<b>5593</b>
Baan code	<b>LKYSFG055</b>

#### Features

- Fin Plate 300 mm
- Three point holding of fin
- Elongated holes allow installation flexibility
- Silicon rubber gasket and nylon bush prevent glass damage
- Flat base to hold strongly with floor or ceiling
- SS 304 material which makes fitting corrosion resistant
- Available in matt and gloss finish

Product code	Baan code	Finish
5593	LKYSFG055	Matt
5598	LKYSFG060	Gloss



Ovalhole Size 15X40 mm



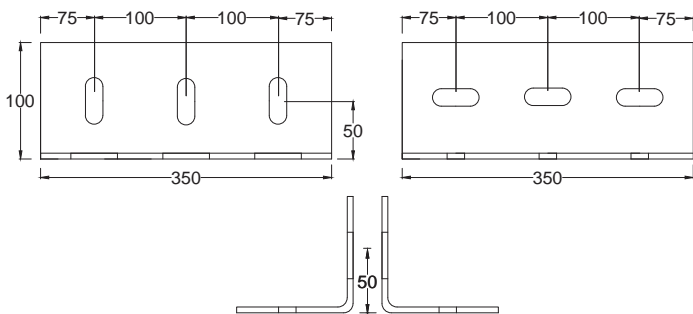
### Fin Plate 350 mm

Product code	<b>5594</b>
Baan code	<b>LKYSFG056</b>

#### Features

- Fin Plate 350 mm
- Three point holding of fin
- Elongated holes allow installation flexibility
- Silicon rubber gasket and nylon bush prevent glass damage
- Flat base to hold strongly with floor or ceiling
- SS 304 material which makes fitting corrosion resistant
- Available in matt and gloss finish

Product code	Baan code	Finish
5594	LKYSFG056	Matt
5599	LKYSFG061	Gloss



Ovalhole Size 15X40 mm



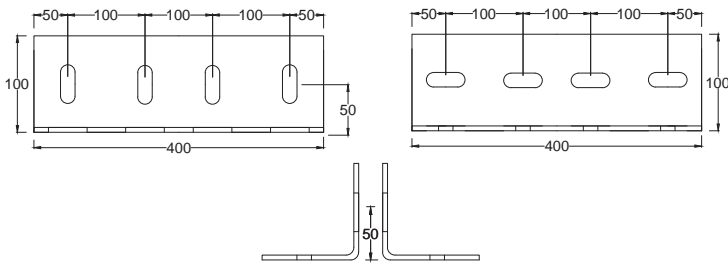
## Fin Plate 400 mm

Product code **5595**

Baan code **LKYSFG057**

### Features

- Fin Plate 400 mm
- Three point holding of fin
- Elongated holes allow installation flexibility
- Silicon rubber gasket and nylon bush prevent glass damage
- Flat base to hold strongly with floor or ceiling
- SS 304 material which makes fitting corrosion resistant
- Available in matt and gloss finish



Product code	Baan code	Finish
5595	LKYSFG057	Matt
5600	LKYSFG062	Gloss



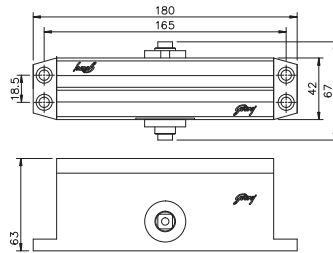


- • Door Closers

## New Door Closer C071

Product code **6800**

Baan code **LKYGDC07A**



Maximum door weight	<b>60 kg</b>
Maximum door width	<b>1000 mm</b>
Product dimensions (LxWxH)	<b>180x67x63</b>
Finish	<b>Silver</b>
Power size	<b>2</b>
Adj. latching speed	<b>Yes</b>
Adj. closing speed	<b>Yes</b>
Back check	<b>No</b>
Delayed action	<b>No</b>
Hold open	<b>No</b>
Lifecycles	<b>1 lakh</b>
UL listing	<b>No</b>
EN rating	<b>No</b>
Fire rating	<b>No</b>

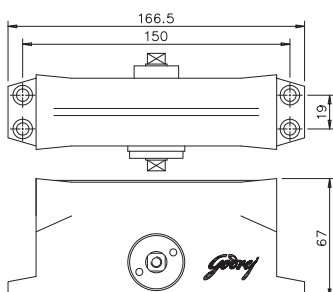
### Features

- Adjustable closing and latching speed
- Can be mounted in left/right, inside/outside
- Suitable for 1000 mm width and 60 kg weight
- Fixed power size - 2
- Maximum closing moment - 22 Nm

## Door Closer C102

Product code **8340**

Baan code **LKYGDC102**



Maximum door weight	<b>60 kg</b>
Maximum door width	<b>950 mm</b>
Product dimensions (LxWxH)	<b>166.5x48x67</b>
Finish	<b>Silver</b>
Power size	<b>3</b>
Adj. latching speed	<b>No</b>
Adj. closing speed	<b>Yes</b>
Back check	<b>No</b>
Delayed action	<b>No</b>
Hold open	<b>No</b>
Lifecycles	<b>1 lakh</b>
UL listing	<b>No</b>
EN rating	<b>No</b>
Fire rating	<b>No</b>

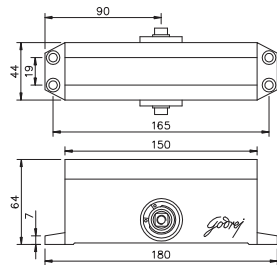
### Features

- Single speed door closer
- Adjustable closing speed
- Can be mounted in left/right, inside/outside
- Suitable for 950 mm width and 60 kg weight
- Fixed power size - 3
- Maximum closing moment - 18 Nm

## Door Closer Heavy Duty

Product code **1938**

Baan code **LKYGD2000**



Maximum door weight	<b>60 kg</b>
Maximum door width	<b>950 mm</b>
Product dimensions (LxWxH)	<b>180x44x64</b>
Finish	<b>Silver</b>
Power size	<b>3</b>
Adj. latching speed	<b>Yes</b>
Adj. closing speed	<b>Yes</b>
Back check	<b>No</b>
Delayed action	<b>No</b>
Hold open	<b>No</b>
Lifecycles	<b>5 lakh</b>
UL listing	<b>Yes</b>
EN rating	<b>No</b>
Fire rating	<b>No</b>

### Features

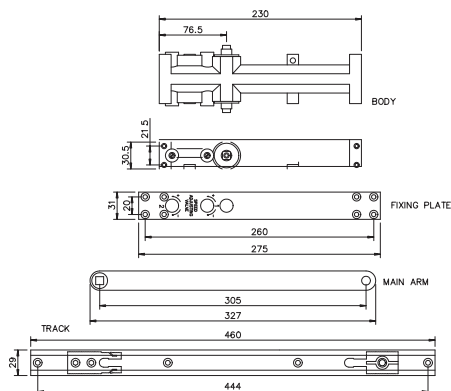
- Adjustable closing and latching speed
- Can be mounted in left/right, inside/outside
- Suitable for 950 mm width and 60 kg weight
- Fixed power size - 3
- Maximum closing moment - 26 Nm
- Heavy duty application & optional hold open function



## Door Closer Concealed C380

Product code **3798**

Baan code **LKYGDC380**



Maximum door weight	<b>60 kg</b>
Maximum door width	<b>950 mm</b>
Product dimensions (LxWxH)	<b>230x30.5x76.5</b>
Finish	<b>Silver</b>
Power size	<b>3</b>
Adj. latching speed	<b>Yes</b>
Adj. closing speed	<b>Yes</b>
Back check	<b>No</b>
Delayed action	<b>No</b>
Hold open	<b>Yes</b>
Lifecycles	<b>1 lakh</b>
UL listing	<b>No</b>
EN rating	<b>No</b>
Fire rating	<b>No</b>

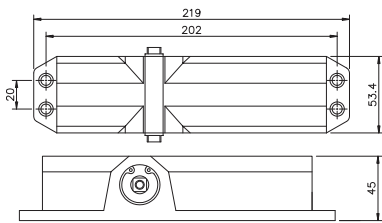
### Features

- Adjustable closing and latching speed
- Can be mounted in left/right, inside/outside
- Suitable for 950 mm width and 60 kg weight
- Fixed power size - 3
- Maximum closing moment - 18 Nm
- Track arm
- Suitable for minimum door thickness of 42 mm
- Concealed door closer

### Door Closer C680

Product code **8156**

Baan code **LKYGDC680**



Maximum door weight	<b>80 kg</b>
Maximum door width	<b>1100 mm</b>
Product dimensions (LxWxH)	<b>219x45x53.4</b>
Finish	<b>Silver</b>
Power size	<b>2-4</b>
Adj. latching speed	<b>Yes</b>
Adj. closing speed	<b>Yes</b>
Back check	<b>No</b>
Delayed action	<b>No</b>
Hold open	<b>No</b>
Lifecycles	<b>5 lakh</b>
UL listing	<b>No</b>
EN rating	<b>Yes</b>
Fire rating	<b>Yes</b>

#### Features

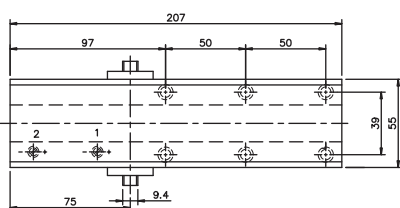
- Adjustable closing and latching speed
- Can be mounted in left/right, inside/outside
- Suitable for 850 to 1100 mm width and 40 to 80 kg weight
- Variable power size - 2 to 4
- Maximum closing moment - 13 to 26 Nm
- EN 1154 Certified, CE Marked
- Certified under IS 3614 Part 2 and BS 476 Part 20 & 22 for Fire rating



### Door Closer T72V

Product code **7880**

Baan code **LKYGDC72V**



Maximum door weight	<b>80 kg</b>
Maximum door width	<b>1100 mm</b>
Product dimensions (LxWxH)	<b>207x55x38.5</b>
Finish	<b>Silver</b>
Power size	<b>2-4</b>
Adj. latching speed	<b>Yes</b>
Adj. closing speed	<b>Yes</b>
Back check	<b>No</b>
Delayed action	<b>No</b>
Hold open	<b>No</b>
Lifecycles	<b>5 lakh</b>
UL listing	<b>No</b>
EN rating	<b>Yes</b>
Fire rating	<b>Yes</b>

#### Features

- Adjustable closing and latching speed
- Can be mounted in left/right, inside/outside
- Suitable for 850 to 1100 mm width and 40 to 80 kg weight
- Variable power size - 2 to 4
- Maximum closing moment - 13 to 26 Nm
- EN 1154 Certified, CE Marked

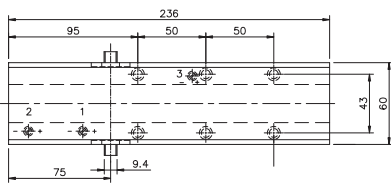




## Door Closer T834

Product code **7899**

Baan code **LKYGDC834**



Maximum door weight	<b>80 kg</b>
Maximum door width	<b>1100 mm</b>
Product dimensions (LxWxH)	<b>236x60x38.5</b>
Finish	<b>Silver</b>
Power size	<b>2-4</b>
Adj. latching speed	<b>Yes</b>
Adj. closing speed	<b>Yes</b>
Back check	<b>Yes</b>
Delayed action	<b>No</b>
Hold open	<b>No</b>
Lifecycles	<b>5 lakh</b>
UL listing	<b>No</b>
EN rating	<b>Yes</b>
Fire rating	<b>Yes</b>

### Features

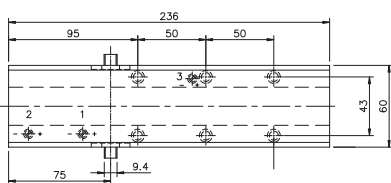
- Adjustable closing and latching speed
- Can be mounted in left/right, inside/outside
- Suitable for 850 to 1100 mm width and 40 to 80 kg weight
- Variable power size - 2 to 4
- Maximum closing moment - 13 to 26 Nm
- Built-in back check function
- EN 1154 Certified, CE Marked



## Door Closer T83H

Product code **7881**

Baan code **LKYGDC83H**



Maximum door weight	<b>100 kg</b>
Maximum door width	<b>1250 mm</b>
Product dimensions (LxWxH)	<b>236x60x38.5</b>
Finish	<b>Silver</b>
Power size	<b>2-5</b>
Adj. latching speed	<b>Yes</b>
Adj. closing speed	<b>Yes</b>
Back check	<b>Yes</b>
Delayed action	<b>No</b>
Hold open	<b>No</b>
Lifecycles	<b>5 lakh</b>
UL listing	<b>No</b>
EN rating	<b>Yes</b>
Fire rating	<b>Yes</b>

### Features

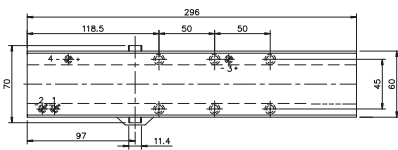
- Adjustable closing and latching speed
- Can be mounted in left/right, inside/outside
- Suitable for 850 to 1250 mm width and 40 to 100 kg weight
- Variable power size - 2 to 5
- Maximum closing moment - 13 to 37 Nm
- Built-in back check function
- EN 1154 Certified, CE Marked



## Door Closer T83J

Product code **7882**

Baan code **LKYGDC83J**



Maximum door weight	<b>120 kg</b>
Maximum door width	<b>1400 mm</b>
Product dimensions (LxWxH)	<b>296x60x48.3</b>
Finish	<b>Silver</b>
Power size	<b>2-6</b>
Adj. latching speed	<b>Yes</b>
Adj. closing speed	<b>Yes</b>
Back check	<b>Yes</b>
Delayed action	<b>Yes</b>
Hold open	<b>No</b>
Lifecycles	<b>5 lakh</b>
UL listing	<b>No</b>
EN rating	<b>Yes</b>
Fire rating	<b>Yes</b>

### Features

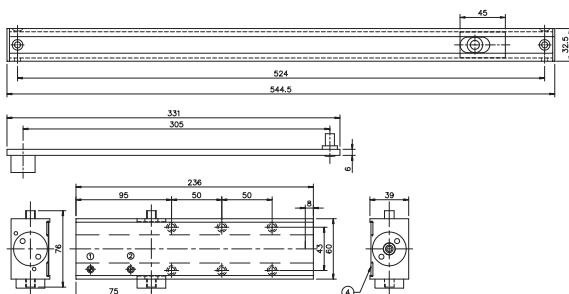
- Adjustable closing and latching speed
- Can be mounted in left/right, inside/outside
- Suitable for 850 to 1400 mm width and 40 to 120 kg weight
- Variable power size - 2 to 6
- Maximum closing moment - 13 to 54 Nm
- Back check function
- Delayed action function
- EN 1154 Certified, CE Marked



## Door Closer T610

Product code **7883**

Baan code **LKYGDC610**



Maximum door weight	<b>60 kg</b>
Maximum door width	<b>950 mm</b>
Product dimensions (LxWxH)	<b>236x60x38.5</b>
Finish	<b>Silver</b>
Power size	<b>3</b>
Adj. latching speed	<b>Yes</b>
Adj. closing speed	<b>Yes</b>
Back check	<b>No</b>
Delayed action	<b>No</b>
Hold open	<b>No</b>
Lifecycles	<b>5 lakh</b>
UL listing	<b>No</b>
EN rating	<b>Yes</b>
Fire rating	<b>Yes</b>

### Features

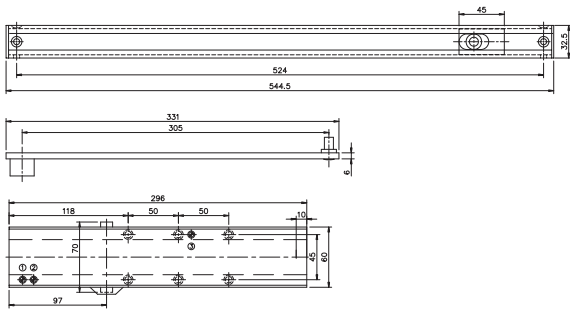
- Adjustable closing and latching speed
- Can be mounted in left/right, inside/outside
- Suitable for 950 mm width and 60 kg weight
- Fixed power size - 3
- Maximum closing moment - 18 Nm
- Track arm door closer
- EN 1154 Certified, CE Marked



## Door Closer T620

Product code **7884**

Baan code **LKYGDC620**



Maximum door weight	<b>80 kg</b>
Maximum door width	<b>1100 mm</b>
Product dimensions (LxWxH)	<b>296x60x48.2</b>
Finish	<b>Silver</b>
Power size	<b>2-4</b>
Adj. latching speed	<b>Yes</b>
Adj. closing speed	<b>Yes</b>
Back check	<b>No</b>
Delayed action	<b>No</b>
Hold open	<b>No</b>
Lifecycles	<b>5 lakh</b>
UL listing	<b>No</b>
EN rating	<b>Yes</b>
Fire rating	<b>Yes</b>

### Features

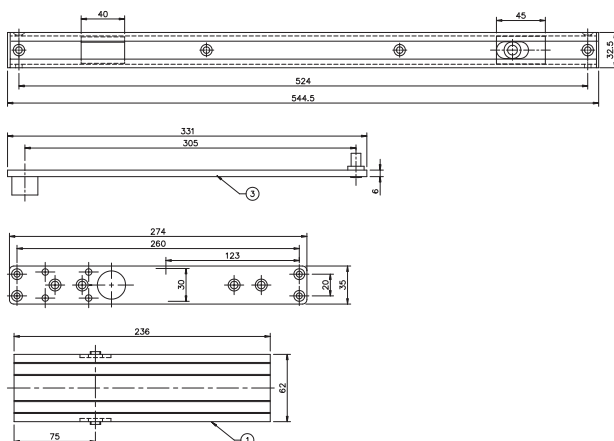
- Adjustable closing and latching speed
- Can be mounted in left/right, inside/outside
- Suitable for 850 to 1100 mm width and 40 to 80 kg weight
- Variable power size - 2 to 4
- Maximum closing moment - 26 Nm
- Track arm door closer
- EN 1154 Certified, CE Marked



## Door Closer Concealed T660

Product code **7885**

Baan code **LKYGDC660**



Maximum door weight	<b>60 kg</b>
Maximum door width	<b>950 mm</b>
Product dimensions (LxWxH)	<b>236x35x62</b>
Finish	<b>Silver</b>
Power size	<b>3</b>
Adj. latching speed	<b>Yes</b>
Adj. closing speed	<b>Yes</b>
Back check	<b>No</b>
Delayed action	<b>No</b>
Hold open	<b>No</b>
Lifecycles	<b>5 lakh</b>
UL listing	<b>No</b>
EN rating	<b>Yes</b>
Fire rating	<b>Yes</b>

### Features

- Adjustable closing and latching speed
- Can be mounted in left/right, inside/outside
- Suitable for 850 to 1100 mm width and 40 to 80 kg weight
- Fixed power size - 3
- Maximum closing moment - 18 Nm
- Track arm
- EN 1154 Certified, CE Marked
- Concealed door closer



## Door closer 80-120kg

Product code **5750**

Baan code **LKYGDC120**



Maximum door weight	<b>120 kg</b>
Maximum door width	<b>1370 mm</b>
Product dimensions (LxWxH)	<b>248x72x78</b>
Finish	<b>Silver</b>
Power size	<b>2-5</b>
Adj. latching speed	<b>Yes</b>
Adj. closing speed	<b>Yes</b>
Back check	<b>No</b>
Delayed action	<b>No</b>
Hold open	<b>No</b>
Lifecycles	<b>3 lakh</b>
UL listing	<b>Yes</b>
EN rating	<b>No</b>
Fire rating	<b>No</b>

### Features

- Adjustable closing and latching speed
- Can be mounted in left/right, inside/outside
- Suitable for 1370mm width and 120kg weight
- Variable power size – 2 to 5
- Maximum closing moment: 13 to 49 Nm



## Hercules Door Closer

Product code **5959**

Baan code **LKVHDC001**



Maximum door weight	<b>60 kg</b>
Maximum door width	<b>1000 mm</b>
Product dimensions (LxWxH)	<b>140x61x59</b>
Finish	<b>Silver</b>
Power size	<b>2</b>
Adj. latching speed	<b>Yes</b>
Adj. closing speed	<b>Yes</b>
Back check	<b>No</b>
Delayed action	<b>No</b>
Hold open	<b>No</b>
Lifecycles	<b>1 lakh</b>
UL listing	<b>No</b>
EN rating	<b>No</b>
Fire rating	<b>No</b>

### Features

- Handcrafted and manufactured by Godrej
- Adjustable closing and latching speed
- Can be mounted in left/right, inside/outside
- Suitable for 1000mm width and 60kg weight
- Variable power size – 2
- Maximum closing moment: 22 Nm





- • Automatic Doors





### Door Automatic ST10 S

Product code **9011**

Baan code **LKYGDA001**

#### Features

- Anti bumping feature
- Opens 100 mm automatically for safety during power failure
- Adjustable opening & closing speed and hold open timing
- Maximum power consumption of 100 Watts
- Input supply: 240 Volts
- SS 304 dust proof cover
- Battery backup option
- For technical details, refer table A



### Door Automatic ST10 D

Product code **9012**

Baan code **LKYGDA002**

#### Features

- Anti bumping feature
- Opens 100 mm automatically for safety during power failure
- Adjustable opening & closing speed and hold open timing
- Maximum power consumption of 100 Watts
- Input supply: 240 Volts
- Battery backup option
- For technical details, refer table A



### Door Automatic ST20 S

Product code **9013**

Baan code **LKYGDA003**

#### Features

- Anti bumping feature
- Opens 100 mm automatically for safety during power failure
- Adjustable opening & closing speed and hold open timing
- Maximum power consumption of 100 Watts
- Input supply: 240 Volts
- SS 304 dust proof cover
- Battery backup option
- For technical details, refer table A





## Door Automatic ST20 D

Product code **9014**

Baan code **LKYGDA004**

### Features

- Anti bumping feature
- Opens 100 mm automatically for safety during power failure
- Adjustable opening & closing speed and hold open timing
- Maximum power consumption of 100 Watts
- Input supply: 240 Volts
- SS 304 dust proof cover
- Battery backup option
- For technical details, refer table A



## Door Automatic ST20 D 6M

Product code **8839**

Baan code **LKYGDA006**

### Features

- Anti bumping feature
- Opens 100 mm automatically for safety during power failure
- Adjustable opening & closing speed and hold open timing
- Maximum power consumption of 100 Watts
- Input supply: 240 Volts
- SS 304 dust proof cover
- Battery backup option
- Maximum length for commercial applications
- For technical details, refer table A



## Safety Sensor

Product code **9009**

Baan code **LKYGDAS01**

### Features

- Senses motion of objects or persons through the door
- In case of slow moving objects or kids, this sensor ensures safety by keeping the door open till the path is clear
- Small and slender unit enables neat and hassle-free installation
- For technical details, refer table A



### Upper Sensor

Product code **9010**

Baan code **LKYGDAS02**

#### Features

- Active infrared motion and presence detection
- Wide operating temperature range of - 20°C to + 60°C
- Adjustable detection angle and width



### Patch Fitting

Product code **9053**

Baan code **LKYAPSDA1**

#### Features

- Key parts are made of high density aluminium alloy
- SS 304 cover for high corrosion resistance
- Suitable for glass doors of thickness ranging from 8 mm to 12 mm
- Gaskets made for precision fitting inserts and to prevent the damage of glass
- For technical details, refer table A

TABLE A

Technical Data	ST10S				
Length of operator	2000 mm	4000 mm	2000 mm	4000 mm	6000 mm
Macel Name	ST10S	ST10D	ST20S	ST20D	ST20D - 6 m
Max. Door Weight	180 kg	160 kg	180 kg	160 kg	160 kg
Clear Passage Length	Max. 965 mm	Max. 1940 mm	Max. 965 mm	Max. 1940 mm	Max. 2930 mm
Clear Passage Height	No Limit (but must consider door weight and door width) 2100 mm - 3000 mm				
Power Consumption	100 Watts				
Power Supply Factory	Set: 180 - 240V (110V; on demand)				
Open/Close Speed	(Door Weight: 70 kg) Open Speed 135 mm/sec - 550 mm/sec				
Close Speed	75 mm/sec - 350 mm/sec				
Open Hold Time	Max .999 seconds				
Power Failure	Adjustable: 1. No open 2. 100 mm open 3. Full open (option battery pack)				
Certifications	UL, ISO9001, CE Lifecycle tests 1 million (1,000,000) cycling test pass				

Product Components Name	ST10S	ST10D	ST20S	ST20D	ST20D - 6 m
Length of operator	2000 mm	4000 mm	2000 mm	4000 mm	6000 mm
Motor	From Germany (Drunkermotor)				
Controller	SMPS Type, PI Control / PWN Digital Micom Control System (Optional)				
Transformer	No. of need Transformer / Linear Type Transformer (Optional)				
Upper Sensor	Emotion Sensor (Microwave type)				
Safety Sensor	Safety sensor eye (no need for separate safety sensor control board)				
Hanger Roller	2	4	2	4	4
Guide Roller	1	2	1	2	2
Switch cum stopper	1	1	1	1	1
Timing Belt	3 m	7 m	3 m	7 m	10 m
Idle Pulley	1	1	1	1	1
Single Belt Connector	1	1	1	1	1
Double Belt Connector		1		1	1
Aluminium Rail	2 m (no box & cover)	4 m (no box & cover)	2 m (box & cover)	4 m (box & cover)	6 m (box & cover)
Side Bracket	x	x	2	2	2
Control Jack	1	1	1	1	1
Cable Clip	5	8	5	8	10
Stopper	x	1	x	1	1
Availability of above models					
Optional	✓	✓	✓	✓	✓
Touch Switch	✓	✓	✓	✓	✓
Switch for Handicapped	✓	✓	✓	✓	✓
Card Reader	✓	✓	✓	✓	✓

FIRE  
EXIT





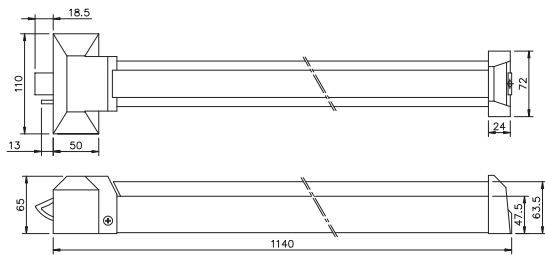
- ● Panic Bars



### Single Point Panic Bar

Product code **9692**

Baan code **LKYAESS04**



### Features

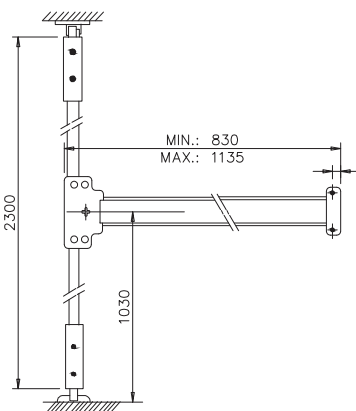
- UL listed panic bar for fire resistance up to 1.5 hrs
- Suitable for inside opening and outside opening doors
- Full length touch bar assures sufficient use of panic bar even in extreme darkness
- Rounded edge design to avoid injury when in operation
- Maximum door length of 1140 mm



### Two Point Panic Bar

Product code **7846**

Baan code **LKYAESS05**



### Features

- UL listed panic bar for fire resistance up to 1.5 hrs
- Suitable for inside opening and outside opening doors
- Full length touch bar assures sufficient use of panic bar even in extreme darkness
- Rounded edge design to avoid injury when in operation
- Maximum door length of 1140 mm and height up to 2300 mm



### Single point panic bar

Product code **5063**

Baan code **LKYAESS12**

#### Features

- CE rated panic bar with 120 minutes fire rated
- EN 1125 & EN 1634 approved panic bar
- Suitable for Inside opening and outside opening doors
- Modular design for non handed applications
- Maximum door width upto 1500mm

CE



### Double point panic bar

Product code **5064**

Baan code **LKYAESS13**

#### Features

- CE rated panic bar with 120 minutes fire rated
- EN 1125 & EN 1634 approved panic bar
- Suitable for Inside opening and outside opening doors
- Modular design for non handed applications
- Maximum door width upto 1500 mm
- Maximum door height upto 2133 mm

CE





### Exit lever trim

Product code **5065**

Baan code **LKYAESS14**

### Features

- EN1634 fire rated
- SS304 exit trim for durability
- Locking mechanism to restrict entry
- Maximum door thickness of 50mm



### Escutcheon trim

Product code **5066**

Baan code **LKYAESS15**

### Features

- EN1634 fire rated
- SS304 exit trim for durability
- Locking mechanism to restrict entry
- Maximum door thickness of 50mm



### Exit Trim (Lever)

Product code **8146**

Baan code **LKYAEA011**

### Features

- Patented design
- SS 304 Exit Trim for durability
- Locking mechanism to restrict entry
- Passage mode facility available
- Maximum door thickness of 55 mm



### Exit Trim

Product code **3695**

Baan code **LKYAEA005**

### Features

- Patented design
- SS 304 Exit Trim for durability
- Locking mechanism to restrict entry
- Passage mode facility available
- Maximum door thickness of 55 mm



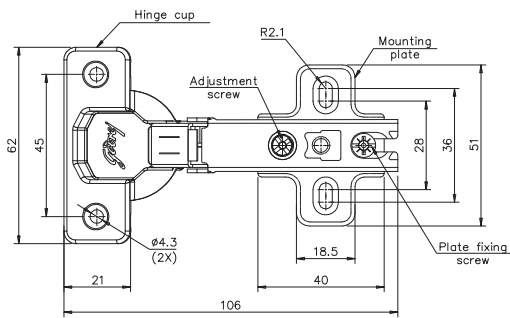


- • Furniture Fittings

### Slip-on Cabinet Hinge - Full Overlay

Product code	<b>7213</b>
Baan code	<b>LKYAHCHR1</b>

Maximum shutter size (HxW)	<b>34" x 22"</b>
Maximum opening angle	<b>105 degrees</b>
Diameter of cup	<b>ø35 mm</b>
Hinge cup depth	<b>11.5 mm</b>
Suitable for panel thickness	<b>15 to 22 mm</b>



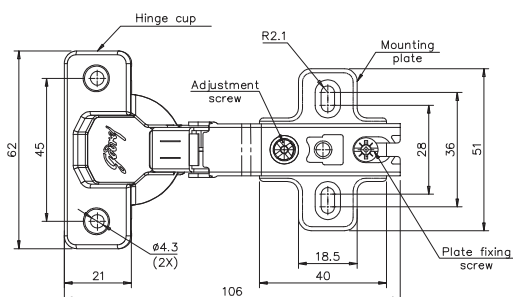
#### Features

- Slip-on arrangement for smooth mounting
- Nickel plated for high corrosion resistance

### Slip-on Cabinet Hinge - Half Overlay

Product code	<b>7214</b>
Baan code	<b>LKYAHCHR2</b>

Maximum shutter size (HxW)	<b>34" x 22"</b>
Maximum opening angle	<b>105 degrees</b>
Diameter of cup	<b>ø35 mm</b>
Hinge cup depth	<b>11.5 mm</b>
Suitable for panel thickness	<b>15 to 22 mm</b>



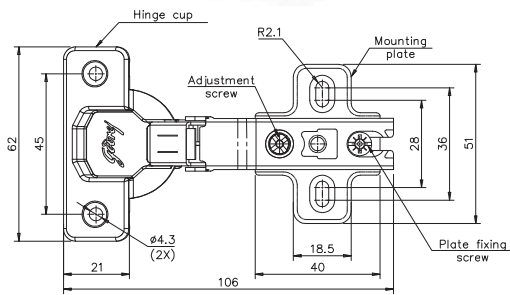
#### Features

- Slip-on arrangement for smooth mounting
- Nickel plated for high corrosion resistance

### Slip-on Cabinet Hinge - Inset

Product code **7215**

Baan code **LKYAHCHR3**



Maximum shutter size for 2 hinges (HxW)	<b>34" x 22"</b>
Maximum opening angle	<b>105 degrees</b>
Diameter of cup	<b>ø35 mm</b>
Hinge cup depth	<b>11.5 mm</b>
Suitable for panel thickness	<b>15 to 22 mm</b>

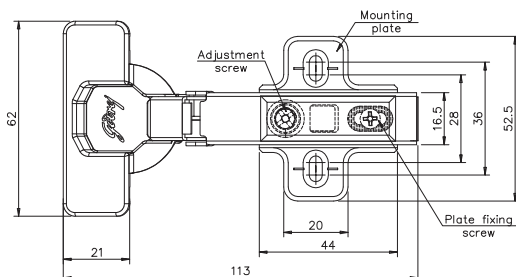
#### Features

- Slip-on arrangement for smooth mounting
- Nickel plated for high corrosion resistance

### Clip-on Cabinet Hinge - Full Overlay

Product code **7216**

Baan code **LKYAHCHS1**



Maximum shutter size for 2 hinges (HxW)	<b>34" x 22"</b>
Maximum opening angle	<b>105 degrees</b>
Diameter of cup	<b>ø35 mm</b>
Hinge cup depth	<b>11.5 mm</b>
Suitable for panel thickness	<b>15 to 22 mm</b>

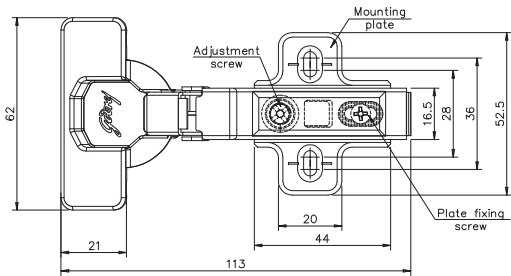
#### Features

- Clip-on arrangement for ease of mounting
- Nickel plated for high corrosion resistance
- Soft close motion engineered to avoid banging and provide smooth closing
- Cover plate to avoid dust accommodation

### Clip-on Cabinet Hinge - Half Overlay

Product code	<b>7217</b>
Baan code	<b>LKYAHCHS2</b>

Maximum shutter size for 2 hinges (HxW)	<b>34" x 22"</b>
Maximum opening angle	<b>105 degrees</b>
Diameter of cup	<b>ø35 mm</b>
Hinge cup depth	<b>11.5 mm</b>
Suitable for panel thickness	<b>15 to 22 mm</b>



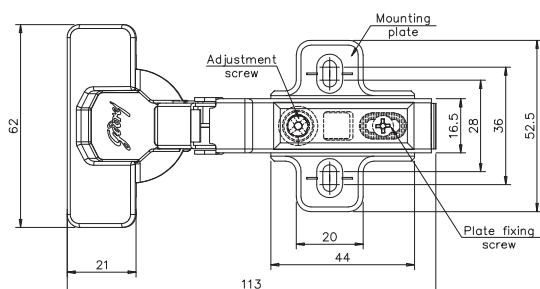
#### Features

- Clip-on arrangement for ease of mounting
- Nickel plated for high corrosion resistance
- Soft close motion engineered to avoid banging and provide smooth closing
- Cover plate to avoid dust accommodation

### Clip-on Cabinet Hinge - Inset

Product code	<b>7218</b>
Baan code	<b>LKYAHCHS3</b>

Maximum shutter size for 2 hinges (HxW)	<b>34" x 22"</b>
Maximum opening angle	<b>105 degrees</b>
Diameter of cup	<b>ø35 mm</b>
Hinge cup depth	<b>11.5 mm</b>
Suitable for panel thickness	<b>15 to 22 mm</b>



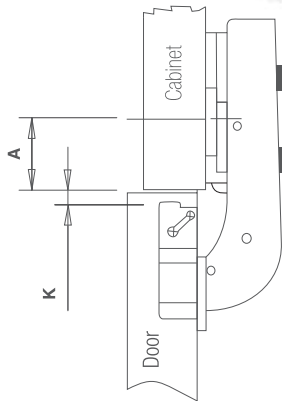
#### Features

- Clip-on arrangement for ease of mounting
- Nickel plated for high corrosion resistance
- Soft close motion engineered to avoid banging and provide smooth closing
- Cover plate to avoid dust accommodation



## Blind Corner Hinge - Soft

Product code	<b>7091</b>
Baan code	<b>LKYAHCHB1</b>



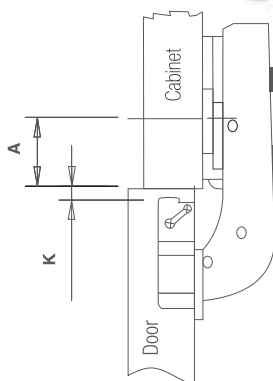
Maximum shutter size for 2 hinges (HxW)	<b>34" x 22"</b>
Maximum opening angle	<b>90 degrees</b>
Diameter of cup	<b>ø35 mm</b>
Hinge cup depth	<b>11.5 mm</b>
Suitable for panel thickness	<b>15 to 22 mm</b>

### Features

- Suitable for panels having blind corners
- Specially designed cylinder for smooth closing of shutters
- Wide opening angle for easy storage in cabinet
- Nickel plated for corrosion resistance

## Blind Corner Hinge - Regular

Product code	<b>7092</b>
Baan code	<b>LKYAHCHB2</b>



Maximum shutter size for 2 hinges (HxW)	<b>34" x 22"</b>
Maximum opening angle	<b>90 degrees</b>
Diameter of cup	<b>ø35 mm</b>
Hinge cup depth	<b>11.5 mm</b>
Suitable for panel thickness	<b>15 to 22 mm</b>

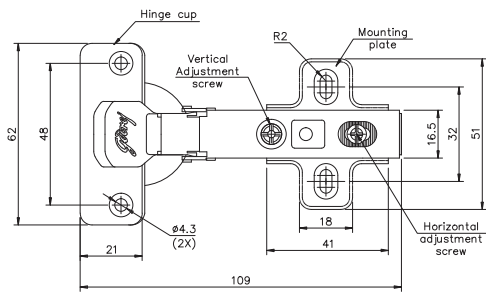
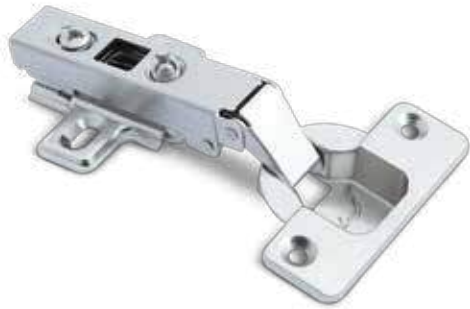
### Features

- Suitable for panels having blind corners
- Wide opening angle for easy storage in cabinet
- Nickel plated for corrosion resistance

### Clip-on Hinge Full Overlay - Regular

Product code	<b>7098</b>
Baan code	<b>LKYAHCCR1</b>

Maximum shutter size for 2 hinges (HxW)	<b>34" x 22"</b>
Maximum opening angle	<b>105 degrees</b>
Diameter of cup	<b>ø35 mm</b>
Hinge cup depth	<b>11.5 mm</b>
Suitable for panel thickness	<b>15 to 22 mm</b>



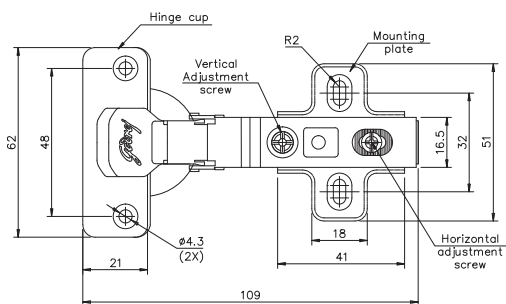
#### Features

- Clip-on mechanism for easy installation and removal of shutters
- Provides ease in maintenance of cabinet
- Wide opening angle for easy storage in cabinet
- Covers provided to avoid dust
- Nickel plated for corrosion resistance

### Clip-on Hinge Half Overlay - Regular

Product code	<b>7099</b>
Baan code	<b>LKYAHCCR2</b>

Maximum shutter size for 2 hinges (HxW)	<b>34" x 22"</b>
Maximum opening angle	<b>105 degrees</b>
Diameter of cup	<b>ø35 mm</b>
Hinge cup depth	<b>11.5 mm</b>
Suitable for panel thickness	<b>15 to 22 mm</b>



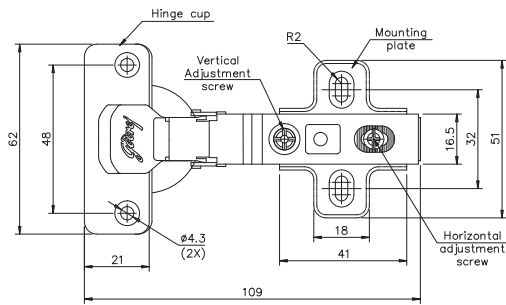
#### Features

- Clip-on mechanism for easy installation and removal of shutters
- Provides ease in maintenance of cabinet
- Wide opening angle for easy storage in cabinet
- Covers provided to avoid dust
- Nickel plated for corrosion resistance

### Clip-on Hinge Inset - Regular

Product code	<b>7100</b>
Baan code	<b>LKYAHCCR3</b>

Maximum shutter size for 2 hinges (HxW)	<b>34" x 22"</b>
Maximum opening angle	<b>105 degrees</b>
Diameter of cup	<b>ø35 mm</b>
Hinge cup depth	<b>11.5 mm</b>
Suitable for panel thickness	<b>15 to 22 mm</b>



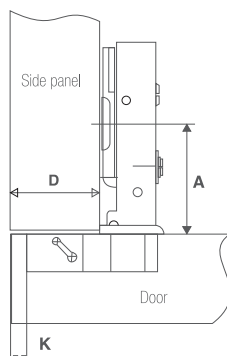
#### Features

- Clip-on mechanism for easy installation and removal of shutters
- Provides ease in maintenance of cabinet
- Wide opening angle for easy storage in cabinet
- Covers provided to avoid dust
- Nickel plated for corrosion resistance

### Thick Door Hinge Full Overlay - Regular

Product code	<b>7095</b>
Baan code	<b>LKYAHCHT1</b>

Maximum shutter size for 2 hinges (HxW)	<b>34" x 22"</b>
Maximum opening angle	<b>95 degrees</b>
Diameter of cup	<b>ø40 mm</b>
Hinge cup depth	<b>13.5 mm</b>
Suitable for panel thickness	<b>18 to 32 mm</b>



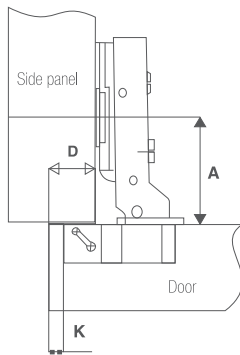
#### Features

- Suitable for thick panels
- Wide opening angle for easy storage in cabinet
- Nickel plated for corrosion resistance

### Thick Door Hinge Half Overlay - Regular

Product code **7096**

Baan code **LKYAHCHT2**



Maximum shutter size for 2 hinges (HxW)	<b>34" x 22"</b>
Maximum opening angle	<b>95 degrees</b>
Diameter of cup	<b>ø40 mm</b>
Hinge cup depth	<b>13.5 mm</b>
Suitable for panel thickness	<b>18 to 32 mm</b>

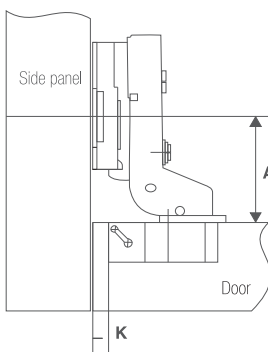
#### Features

- Suitable for thick panels
- Wide opening angle for easy storage in cabinet
- Nickel plated for corrosion resistance

### Thick Door Hinge Inset - Regular

Product code **7097**

Baan code **LKYAHCHT3**



Maximum shutter size for 2 hinges (HxW)	<b>34" x 22"</b>
Maximum opening angle	<b>95 degrees</b>
Diameter of cup	<b>ø40 mm</b>
Hinge cup depth	<b>13.5 mm</b>
Suitable for panel thickness	<b>18 to 32 mm</b>

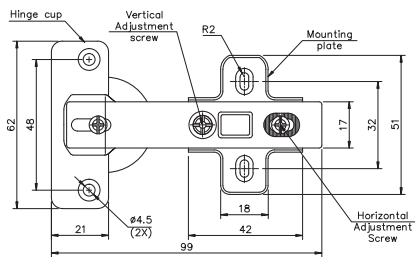
#### Features

- Suitable for thick panels
- Wide opening angle for easy storage in cabinet
- Nickel plated for corrosion resistance

### Bi-fold Cabinet hinge

Product code	<b>6840</b>
Baan code	<b>LKYAHCHP2</b>

Maximum shutter size for 2 hinges (HxW)	<b>34" x 22"</b>
Maximum opening angle	<b>90 degrees</b>
Diameter of cup	<b>ø35 mm</b>
Hinge cup depth	<b>11.5 mm</b>
Suitable for panel thickness	<b>15 to 24 mm</b>



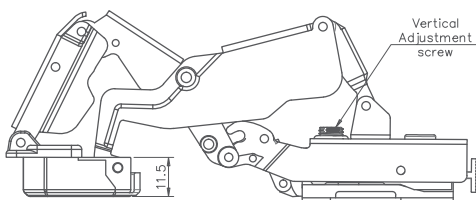
#### Features

- BIFMA certified cabinet hinges.
- Ease of installation with clip-on type mounting plate
- Nickel plated for high corrosion resistance
- Hinge cup depth of 11.5mm
- Diameter of cup 35mm
- Maximum shutter size of 34"X22" for 2 hinge

### Cabinet hinge 165 degree (Pi corner)

Product code	<b>6841</b>
Baan code	<b>LKYAHCHP1</b>

Maximum shutter size for 2 hinges (HxW)	<b>34" x 22"</b>
Maximum opening angle	<b>165 degrees</b>
Diameter of cup	<b>ø35 mm</b>
Hinge cup depth	<b>11.5 mm</b>
Suitable for panel thickness	<b>15 to 24 mm</b>



#### Features

- Ease of installation with clip-on type mounting plate
- Nickel plated for high corrosion resistance
- Maximum opening angle of 165 degree
- Hinge cup depth of 11.5mm
- Diameter of cup 35mm
- Maximum shutter size of 34"X22" for 2 hinges

## Drawer Channel Zinc Plated 10"

Product code **8173**

Baan code **LKYGTSZ10**



### Also available in

12", 14", 16", 18", 20", 22" & 24"

### Product code:

8174, 8175, 8176, 8177, 8178, 8179 & 8180

### Baan code:

LKYGTSZ12, LKYGTSZ14, LKYGTSZ16,  
LKYGTSZ18, LKYGTSZ20, LKYGTSZ22,  
LKYGTSZ24

### Features

- Uniformly distributed load bearing capacity of 45 kg
- Made of C.R.C.A. sheet metal - ensures long lasting durability and high load bearing capacity
- Zinc plated for good corrosion protection
- Steel chrome plated ball bearing for frictionless & smooth operation
- Detachable inner slides - easy to remove and reinsert the drawer
- Full extension - wide travel length enabling opening of the drawer to full length
- Hold-in detent enables the drawer to be held closed without letting it slide open automatically
- Positive-stop ensures that the drawer doesn't topple once opened to full length

## Drawer Channel Black Powder Coated 10"

Product code **7831**

Baan code **LKYGTSB10**



### Also available in

12", 14", 16", 18", 20", 22" & 24"

### Product code:

7832, 7833, 7834, 7835, 7836, 7837 & 7838

### Baan code:

LKYGTSB12, LKYGTSB14, LKYGTSB16,  
LKYGTSB18, LKYGTSB20, LKYGTSB22,  
LKYGTSB24

### Features

- Uniformly distributed load bearing capacity of 45 kg
- Made of C.R.C.A. sheet metal - ensures long lasting durability and high load bearing capacity
- Powder coated - black colour ensures good visual effect and long term corrosion protection
- Steel chrome plated ball bearing for frictionless & smooth operation
- Detachable inner slides - easy to remove and reinsert the drawer
- Full extension - wide travel length enabling opening of the drawer to full length
- Hold-in detent enables the drawer to be held closed without letting it slide open automatically
- Positive-stop ensures that the drawer doesn't topple once opened to full length

## Soft Closing Drawer Channel 300 (12")

Product code **7083**

Baan code **LKYGTSC12**



Also available in  
14", 16", 18", 20", 22" & 24"

Product code:  
7084, 7085, 7086, 7087, 7088 & 7089

Baan code:  
LKYGTSC14, LKYGTSC16, LKYGTSC18,  
LKYGTSC20, LKYGTSC22, LKYGTSC24

### Features

- Precision mechanism for smooth operation
- Special anti rebound function
- Load bearing capacity up to 35 kg
- Latch for easy removal of drawer
- Zinc plated for better corrosion resistance

## Heavy Duty Drawer Channel 450 mm (18")

Product code **6901**

Baan code **LKYGTSH18**



Also available in  
20", 22", 24", 26", 28", 30", 32" & 36"

Product code:  
6902, 6903, 6904, 6905, 6906, 6907, 6908 & 6998

Baan code:  
LKYGTSH20, LKYGTSH22, LKYGTSH24,  
LKYGTSH26, LKYGTSH28, LKYGTSH30,  
LKYGTSH32, LKYGTSH36

### Features

- Heavy duty application
- Load bearing capacity up to 125 kg
- Full extension of drawer for ease in storage
- Latch for easy removal of drawer
- Zinc plated for better corrosion resistance



## Door Control Devices

The Need:

Gone are the days when door closers and floor springs served only the purpose of closing the door automatically. Today, with commercial as well as residential establishments being equipped with hi-tech facilities, the requirements for door closing devices have also changed.

Now, door closing devices are expected to become an integral part of such hi-tech facilities within the establishments and perform to the level sufficing needs such as:

**Security** - To ensure the door is closed, especially if the door has a latch on it, then it is very important that the door closing device closes the latch and shuts the door completely, keeping the section secure.

**Privacy** - The door closing device must ensure the privacy of different sections within a building by separating them with accurate closing of the door.

**Fire & Smoke Check** - As per the safety norms in the new establishments that are being developed, usage of fire rated doors and accessories are specified, which requires the installation of the specialist door control device that is also fire rated and serves the purpose.

**Energy Saving** - Last but not least, is the demand of the day i.e., Energy Saving. The equation of enjoying comfort and energy saving can be easily balanced by using a suitable door control device. It helps to reduce the running cost, thus ensuring maximum cooling at minimum expense. Not just that, this low-electricity consumption also helps India to save fuel.

All these factors have changed the simple "door closing device" of yesterday to a "door control device" in today's world. Godrej Locking Solutions and Systems presents a complete Door Control range that includes products to suit different requirements.

The products have been designed taking all the above-mentioned factors into consideration and include various features such as back check, delayed closing, speed adjustments, fire rating and many more.

## Guidelines for Selection of the Correct Door Control Device

When a huge range of products with different features and functions is available, the decision to select the right product for a specific application becomes difficult. Understanding the site requirement and selecting the right product for the right application is a crucial decision which ensures trouble-free lifelong performance of the product, thus reducing the maintenance cost.

The basic parameters considered for selecting the right door control device are:

- Location of the project (air pressure)
- Frequency of use of door (life span)
- Material of door (wood or metal)
- Functions required for the door
- Dimensions of the door (height, width & weight)
- Closing moment required

We suggest a few steps to help you select the right product, and a formula for calculating the closing moment necessary to close the door against a known air pressure:

$$C_m = \frac{P \cdot A \cdot w}{2}$$

$$\text{Closing moment (Nm)} = \frac{\text{Air Pressure (Pascal or N/m}^2\text{)} \times \text{Area of Door (m}^2\text{)} \times \frac{1}{2} \text{ of width of door (m)}}{2}$$

E.g.: Door Width = 900 mm (0.9 m)

Door Height = 2050 mm (2.05 m)

Air Pressure = 30 Pa

$$C_m = \frac{30 \times (0.9 \times 2.05) \times 0.9}{2} = 24.9 \text{ Nm}$$

### Guidelines for selecting a Door Control Device:

Door Closer Power Size	Ref. Door Leaf width mm Max.	Test Door mss kg	Closing moment			At any angle of opening Nm min.	Opening moment between 0 & 60 Nm max.	Closer efficiency between 0 & 4 % min.
			Between 0 & 4		Between 88 & 92			
			Nm min.	Nm max.				
1	<750	20	9	<13	3	2	26	50
2	850	40	13	<18	4	3	36	50
3	950	60	18	<26	6	4	47	55
4	1100	80	26	<37	9	6	62	60
5	1250	100	37	<54	12	8	83	65
6	1400	120	54	<87	18	11	134	65
7	1600	160	87	<140	29	18	215	65

**N.B.** Where the actual size and mass of the door to which the door closer is to be fitted relates to two sizes of door closer, the larger power size of door closer should be used. The door widths given are for standard installations. In the case of unusually high or heavy doors, windy or draughty conditions, or special installations, a large power size of door closer should be used.

Selection of door closers also depends on the 'weight' and 'type' of door to be installed. Weight can be calculated using this simple formula:

For Wooden Doors Weight = Height (metres) x Width (metres) x Thickness (metres) x 700 (kg/m<sup>3</sup>)\*

For Glass Doors Weight = Height (metres) x Width (metres) x Thickness (metres) x 2500 (kg/m<sup>3</sup>)\*

\* where 700 (kg/m<sup>3</sup>) & 2500 (kg/m<sup>3</sup>) are the specific gravity of wood and glass, respectively.

## Basic Terminologies

### Fire Rated:

All the external and internal components as well as fluids like oil inside the door closer are tested to withstand fire for a particular time period.

### Closing Moment:

The torque generated by a door closing device which acts upon the door leaf during the closing operation.

### Power Size:

A measure of closing moment exerted by a door closer.

### Adjustable Latching Speed:

A speed control operable only during the last few degrees of door closing.

### Adjustable Closing Moment:

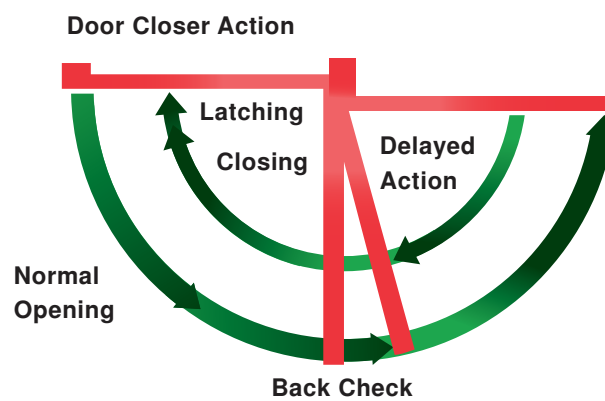
An inbuilt function that allows the closing moment of a door closer to be adjusted over a range of power sizes.

### Back Check:

An inbuilt buffer that helps to prevent a door leaf being flung wide open by providing an adjustable cushioning effect when the door is thrown open.

### Delayed Action:

An inbuilt function that allows the door closing device to be retarded for an adjustable period of time before resuming controlled closing, allowing disabled, elderly people or long trolleys and stretchers to pass through the door unhindered.



## Standards & Approvals

We have certificates for the following standards & accreditations:

- TUV
- Products are tested to certificate of conformity:

### 1] DIN EN 12209 : 2003

Europrofile Mortise Sashlock  
(Centre Distance 72 mm, Backset 60 mm)

**Classification:**

3	X	8	1*	0	F	3	B	A	2	0
---	---	---	----	---	---	---	---	---	---	---

\*For use on Fire/Smoke Doors

### 2] DIN EN 12320: 2001- 05

3 KS dfENdr Padlock

**Classification:**

X	X	X	X	X	2	4
---	---	---	---	---	---	---

### 3] EN 1154 : 1996 + A1 : 2002

Door Closer C680

**Classification:**

3	8	4	1	1	4
		2			

### 4] UL 228 : Heavy Duty Door Closer

- Commendation Certificate for Significant Achievement on the Journey towards Business Excellence, awarded by CII Exim Bank Business Excellence Award Jury



ANSI

CE















THINK SAFETY, THINK GODREJ LOCKS.

**Godrej & Boyce Mfg. Co. Ltd.**

Locking Solutions and Systems Division, Plant 18 A,  
Pirojshanagar, Vikhroli, Mumbai - 400 079, India.

Tel : +91-22-6796 4890  
Fax : +91-22-6796 1510-11  
Email : [locksmkt@godrej.com](mailto:locksmkt@godrej.com)  
Website : [www.godrejlocks.com](http://www.godrejlocks.com)

---

New Delhi : +91-11-6650 7320 / 27  
Chandigarh : +91-172-501 6644 / 503 7732  
Lucknow : +91-522-675 4951 / 53  
Jaipur : +91-141-670 1425/ 421-422  
Kolkata : +91-33-6601 3751-53 / 55 / 6601 3500 (Board No.)  
Guwahati : +91-361-611 0741 / 611 0743  
Bhubaneshwar : +91-674-237 4600 / 643-644 / 648  
Patna : +91-612-660 6100  
Ranchi : +91-651-251 3114 / 16 / 83  
Pune : +91-20-6625 5101-06 / 6625 5000 (Board No.)  
Mumbai : +91-22-6796 1271 / 74  
Ahmedabad : +91-79-6606 0666 / 744 / 690 / 2674 3008  
Bhopal : +91-755-276 1130-32 / 427 7240  
Raipur : +91-771-660 6606/799  
Chennai : +91-44-6654 4412-13 / 44  
Hyderabad : +91-40-6643 1000 / 150-151  
Bengaluru : +91-80-6647 2000 / 351-352 / 484  
Kochi : +91-484-661 2751-53

---

**24-HOUR TOLL FREE HELPLINE NO.\***

---

1800 209 45 43 (ALL MOBILES AND LANDLINES)  
REACHABLE FROM MORE THAN 200 CITIES ACROSS INDIA  
TEL: 022-6116 3100 (standard charges applicable)

---

\*Conditions apply