

EFFORTLESS KITCHEN PERFORMANCE





INDEX

ERGO BOX DRAWER SYSTEMS 01 - 14

SLIM ERGO BOX DRAWER SYSTEMS 15 - 22

CORNER SOLUTIONS 23 - 41

TALL UNITS 42 - 48

SOFT PRO SYSTEMS 49 - 56

BASKETS 57 - 76

MIDWAY SERIES 77 - 82

ACCESSORIES 83 - 88

CHANNELS 89 - 96

CABINET HINGES 97 - 103

ERGO BOX





ERGO BOX





ERGOBOX

Drawer System Regular

Key Features:

- Load bearing capacity: 30kg / 65kg
- Smooth click mechanism to remove drawer
- Soft closing action
- BIFMA tested

Application:

Structure of a drawer

Benefits:

- High load capacity to store all kitchen utensils
- Easy installation and removal of Ergo box for cleaning
- Smooth action for effortless closing
- Long lasting durable mechanism

Finishes



Grey

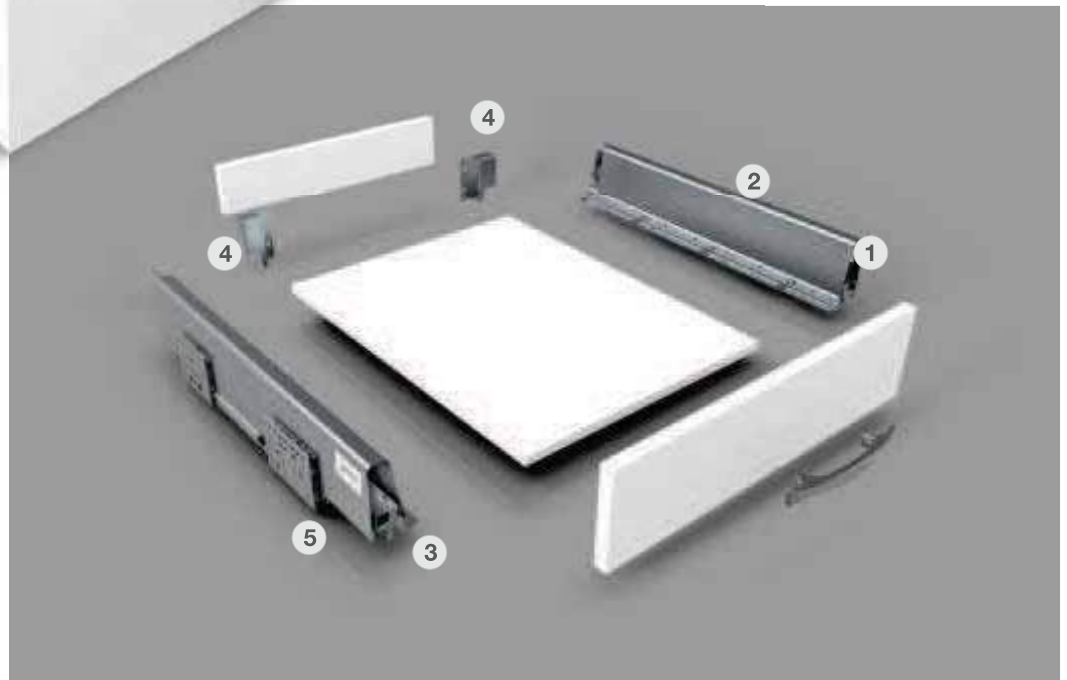


SS



White

ASSEMBLY



1
FRONT
CONNECTOR L/R



2
DECORATIVE
COVER



3
SOFT CLOSE
CHANNEL



4
BACK CONNECTOR
CLIP (L/R)



5
GODREJ LOGO
PLATE CLIP (L/R)



APPLICATION



Mug



Dish



Water Glass

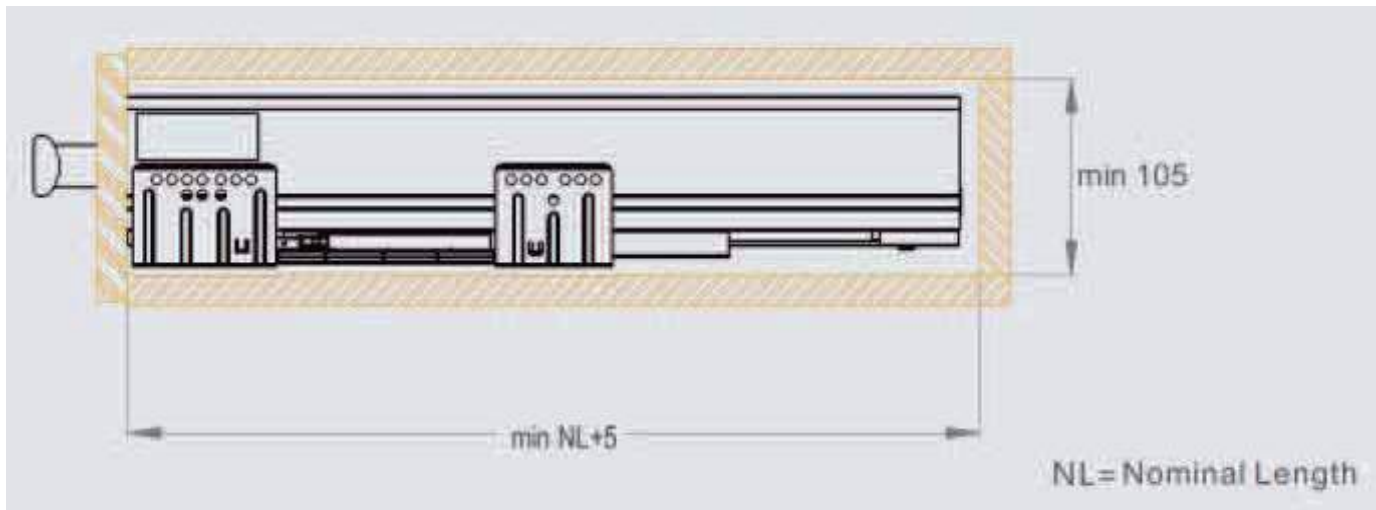


Cup & Saucer



Small Bowl

DIAGRAM



Sr. No.	Product Code	Product Description	Nominal Length (mm) NL	Internally usable drawer depth (mm)	Minimum installation height (mm)
Ergo Box Drawer System (Regular)					
1	6509	Ergo Box Drawer System 350mm (Grey)	350	324	105
2	6510	Ergo Box Drawer System 400mm (Grey)	400	374	105
3	6511	Ergo Box Drawer System 450mm (Grey)	450	424	105
4	6512	Ergo Box Drawer System 500mm (Grey)	500	474	105
5	6550	Ergo Box Drawer System 550mm (Grey)	550	524	105
6	5666	Ergo Box Drawer System 450mm (White)	450	424	105
7	5667	Ergo Box Drawer System 500mm (White)	500	474	105
8	5668	Ergo Box Drawer System 550mm (White)	550	524	105
9	5669	Ergo Box Drawer System 450mm (SS)	450	424	105
10	5670	Ergo Box Drawer System 500mm (SS)	500	474	105
11	5671	Ergo Box Drawer System 550mm (SS)	550	524	105
Ergo Box Drawer System (Heavy)					
12	6516	Ergo Box Drawer System 500mm - Heavy (Grey)	500	474	105
13	6517	Ergo Box Drawer System 550mm - Heavy (Grey)	550	524	105



ERGOBOX

Drawer System With Acrylic

Key Features:

- Load bearing capacity: 30kg
- Smooth click mechanism to remove drawer
- Soft closing action
- BIFMA tested

Application:

Structure of a drawer

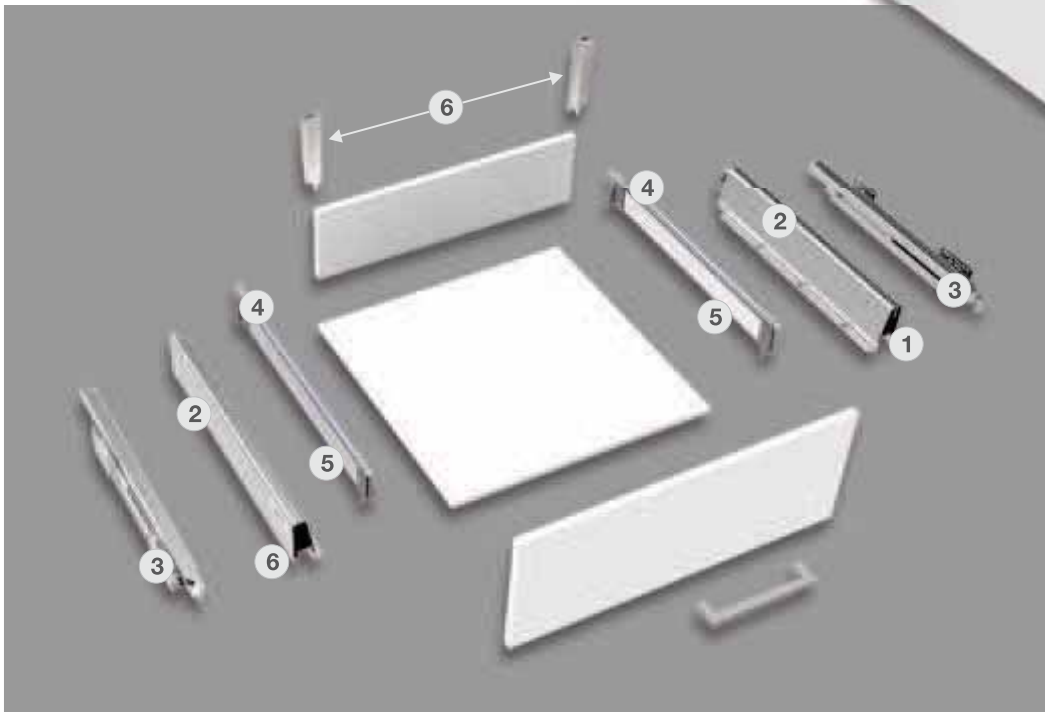
Benefits:

- High load capacity to store all kitchen utensils
- Easy installation and removal of Ergo box for cleaning
- Smooth action for effortless closing
- Long lasting durable mechanism

Finishes



ASSEMBLY



1
FRONT
CONNECTOR
(L/R)



2
DECORATIVE
COVER



3
SOFT CLOSE
CHANNEL



4
SINGLE
RAIL



5
ACRYLIC
SHEET



6
BACK
CONNECTOR
CLIP (L/R)



7
GODREJ
LOGO PLATE
CLIP (L/R)



APPLICATION



Glass Plates

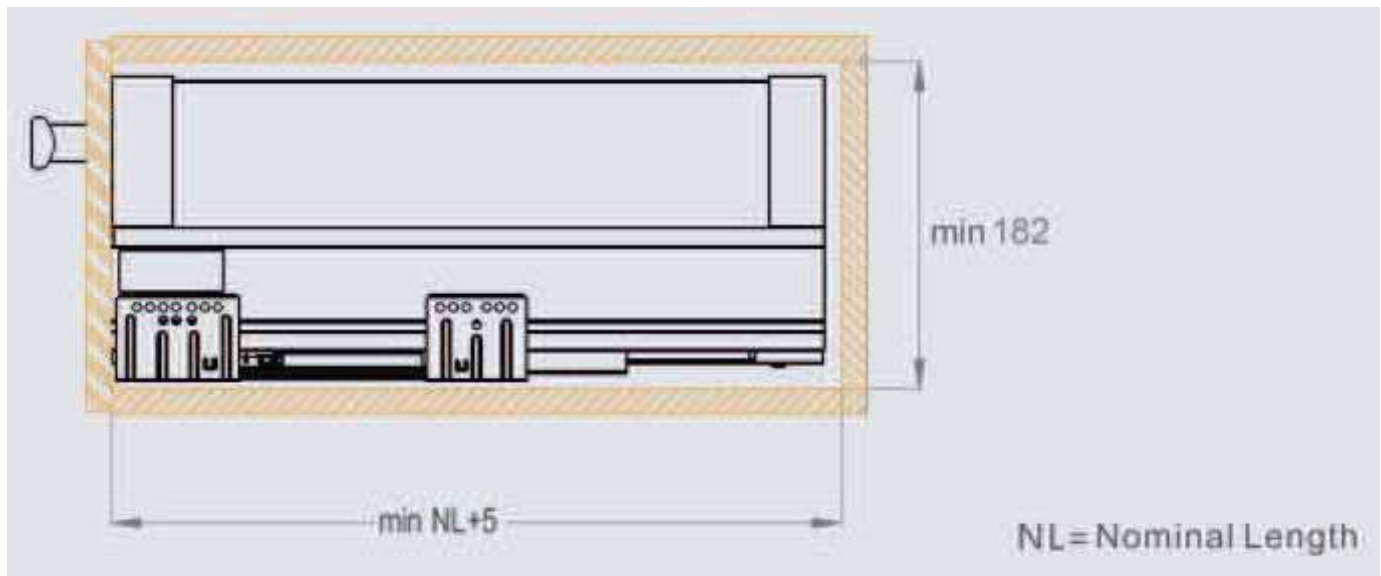


Glass Bowls



Bowls

DIAGRAM



Sr. No.	Product Code	Product Description	Nominal Length (mm) NL	Internally usable drawer depth (mm)	Minimum installation height (mm)
Ergo Box Drawer System with Acrylic					
1	6588	Ergo Box Drawer System 450mm Acrylic (Grey)	450	424	182
2	6589	Ergo Box Drawer System 500mm Acrylic (Grey)	500	474	182
3	5672	Ergo Box Drawer System 500mm Acrylic (White)	500	474	182
4	5673	Ergo Box Drawer System 500mm Acrylic (SS)	500	474	182



ERGOBOX

Drawer System with Rail (Single / Double)

Key Features:

- Load bearing capacity: 30kg / 65kg
- Smooth click mechanism to remove drawer
- Soft closing action
- BIFMA tested

Application:

Structure of a drawer

Benefits:

- High load capacity to store all kitchen utensils
- Easy installation and removal of Ergo box for cleaning
- Smooth action for effortless closing
- Long lasting durable mechanism

Finishes



Grey

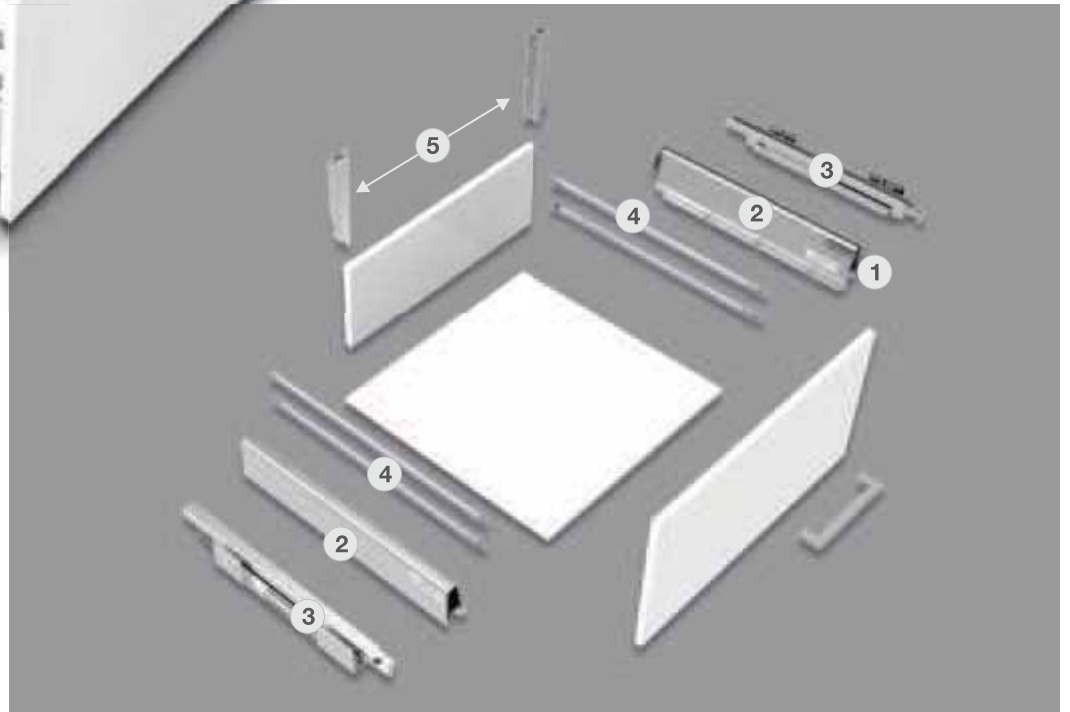


SS



White

ASSEMBLY



1
FRONT
CONNECTOR
(L/R)

2
DECORATIVE
COVER

3
SOFT CLOSE
CHANNEL

4
SINGLE/
DOUBLE
RAIL

5
BACK
CONNECTOR
CLIP (L/R)



6
GODREJ
LOGO PLATE
CLIP (L/R)



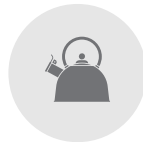
APPLICATION



Steam Pot



Fry Pan



Tea Pot



Big Plates

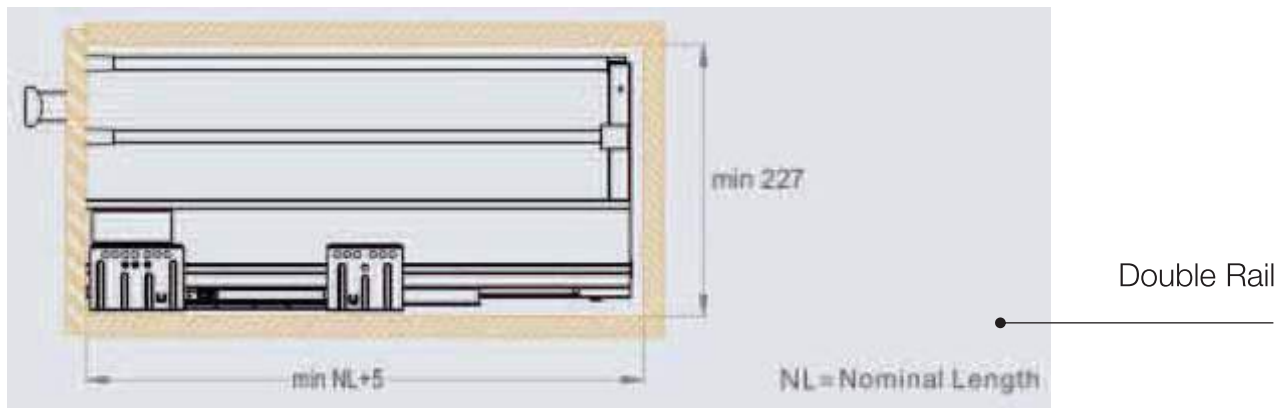
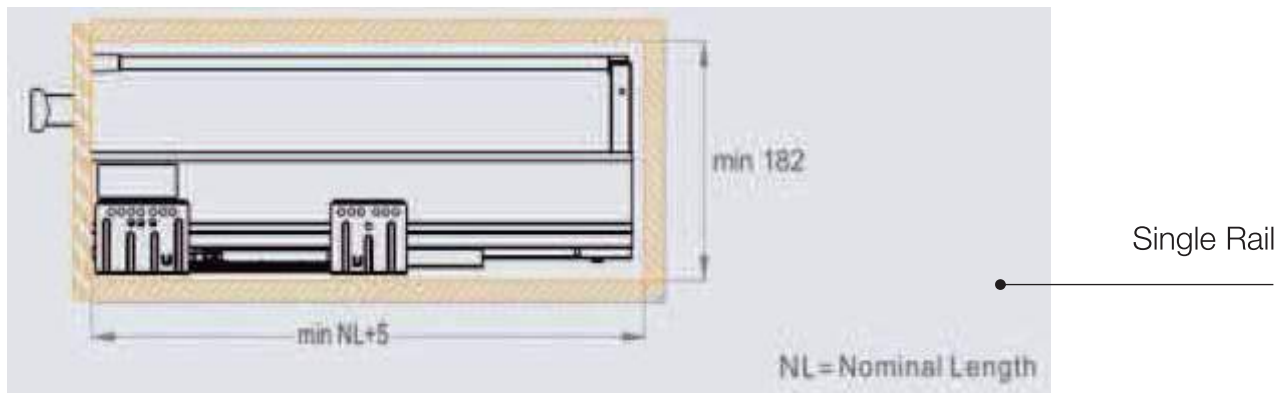
Important Note:

- To make an Ergo Box of Single or Double Rail:
Purchase Regular / Heavy Ergo Box + Single / Double Rail + Back Connector (142 / 185 mm)
- Example one:
To make 500mm Depth Single Rail Ergo Box in Grey Finish:
Take code 6512 Ergo Box + code 5677 Rail + code 5695 Back Connector
- Example Two:
To make 500 mm Depth Double Rail Ergo in Grey Finish:
Take code 6512 Ergo Box + code 5689 Rail + code 5698 Back Connector

SCAN THE QR CODE
TO WATCH DEMO VIDEO



DIAGRAM



Sr. No.	Code	Product Description	Nominal Length (mm) NL	Internally usable drawer depth (mm)	Minimum installation height (mm)
Ergo Box Drawer System (Single Rail)					
1	5674	Ergo Box Single Rail 350mm (Grey)	350	324	182
2	5675	Ergo Box Single Rail 400mm (Grey)	400	374	182
3	5676	Ergo Box Single Rail 450mm (Grey)	450	424	182
4	5677	Ergo Box Single Rail 500mm (Grey)	500	474	182
5	5678	Ergo Box Single Rail 550mm (Grey)	550	524	182
6	5681	Ergo Box Single Rail 450mm (White)	450	424	182
7	5682	Ergo Box Single Rail 500mm (White)	500	474	182
8	5683	Ergo Box Single Rail 550mm (White)	550	524	182
9	5686	Ergo Box Single Rail 450mm (SS)	450	424	182
10	5687	Ergo Box Single Rail 500mm (SS)	500	474	182
11	5688	Ergo Box Single Rail 550mm (SS)	550	524	182
Ergo Box Drawer System (Double Rail)					
12	5689	Ergo Box Single Rail 500mm (Grey)	500	474	227
13	5690	Ergo Box Single Rail 550mm (Grey)	550	524	227
14	5691	Ergo Box Single Rail 500mm (White)	500	474	227
15	5692	Ergo Box Single Rail 550mm (White)	550	524	227
16	5693	Ergo Box Single Rail 500mm (SS)	500	474	227
16	5694	Ergo Box Single Rail 550mm (SS)	550	524	227

Connectors Table

Code	5695	5698	5696	5699	5697	5700
Product Description	Back Connector - 142 mm (Grey)	Back Connector - 185 mm (Grey)	Back Connector - 142 mm (White)	Back Connector - 185 mm (White)	Back Connector - 142 mm (SS)	Back Connector - 185 mm (SS)



**THE
REVOLUTIONARY
NEW SLIM ERGO BOX**





SLIMERGOBOX

Drawer System Regular

Key Features:

- Clean Design
- Sleek Side Panels
- Smooth Operation
- Easy installation
- Platform based design

Application:

Structure of a drawer

Benefits:

- Sharp, clean-cut square edges gives an elegant appearance
- Sleek side panels increase space available for storage
- Effortless motion with smooth action for soft closing.
Fast and simple installation using basic tools, saves time & requires less efforts.
- Customization options available with choice of rails for height expansion

Finishes

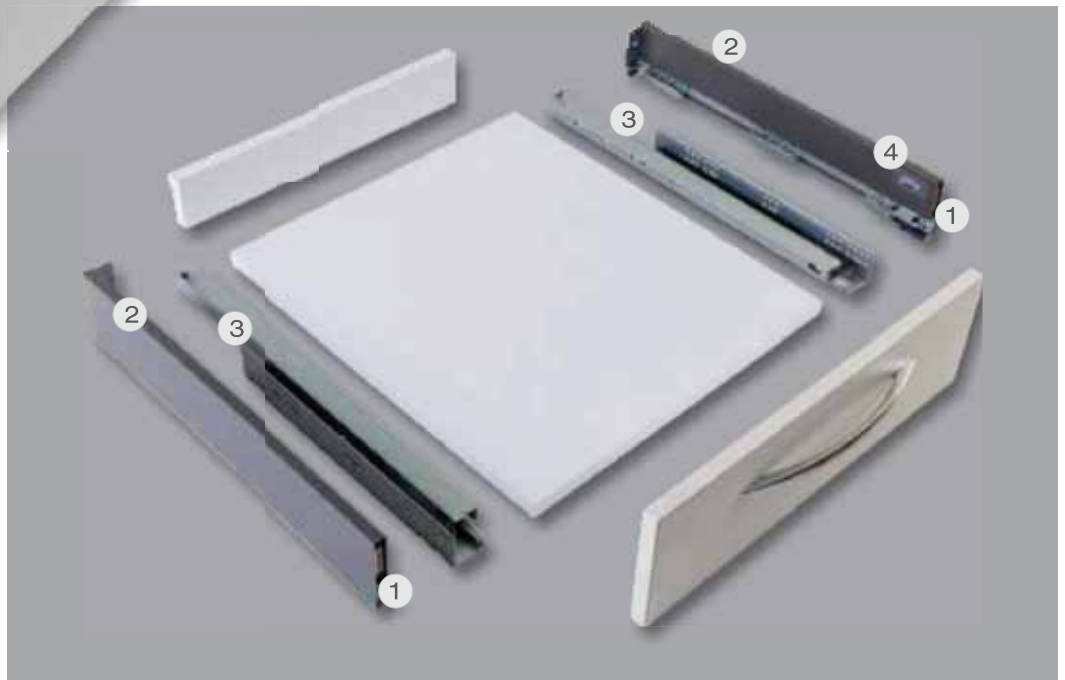


Anthracite



White

ASSEMBLY



1
FRONT
CONNECTOR L/R



2
DECORATIVE
COVER



3
SOFT CLOSE
CHANNEL



4
GODREJ LOGO
PLATE CLIP (L/R)



APPLICATION



Mug



Dish



Water Glass

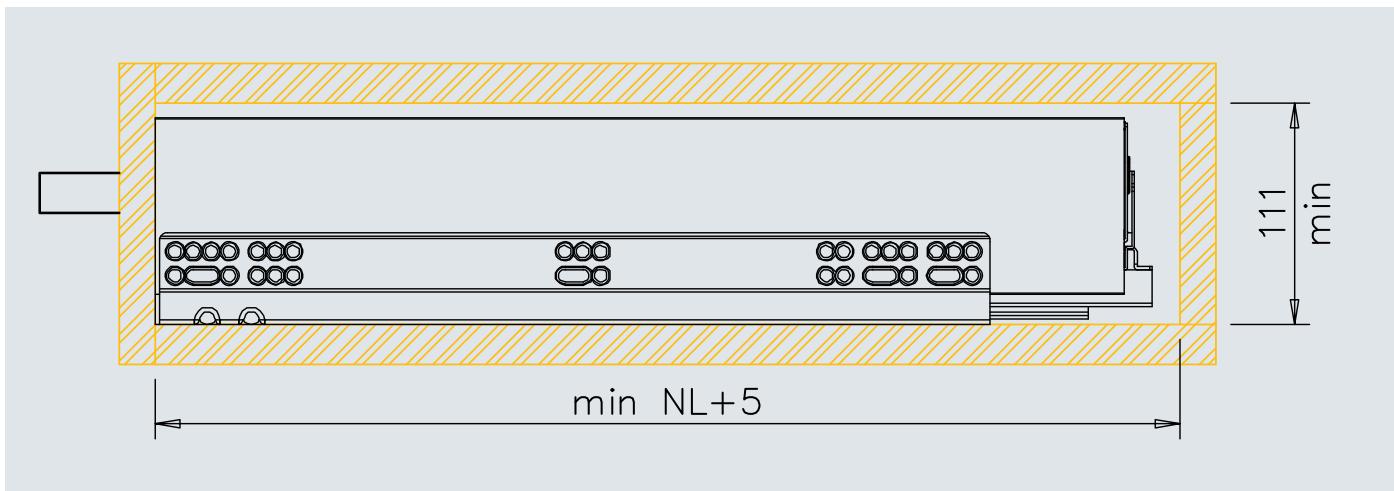


Cup & Saucer



Small Bowl

DIAGRAM



Sr. No.	Product code	Item Description	Nominal Length (mm) NL	Internally usable drawer depth (mm)	Minimum installation height (mm)
1	4338	Slim Ergo Box drawer system 450mm Anthracite	450	424	111
2	4339	Slim Ergo Box drawer system 500mm Anthracite	500	474	111
3	4340	Slim Ergo Box drawer system 550mm Anthracite	550	524	111
4	4341	Slim Ergo Box drawer system 450mm White	450	424	111
5	4342	Slim Ergo Box drawer system 500mm White	500	474	111
6	4343	Slim Ergo Box drawer system 550mm White	550	524	111



SLIMERGOBOX

Drawer System with Rail (Single / Double)

Key Features:

- Clean Design
- Sleek Side Panels
- Smooth Operation
- Easy installation
- Platform based design

Benefits:

- Sharp, clean-cut square edges gives an elegant appearance
- Sleek side panels increase space available for storage
- Effortless motion with smooth action for soft closing.
- Fast and simple installation using basic tools, saves time & requires less efforts.
- Customization options available with choice of rails for height expansion

Application:

Structure of a drawer

Finishes

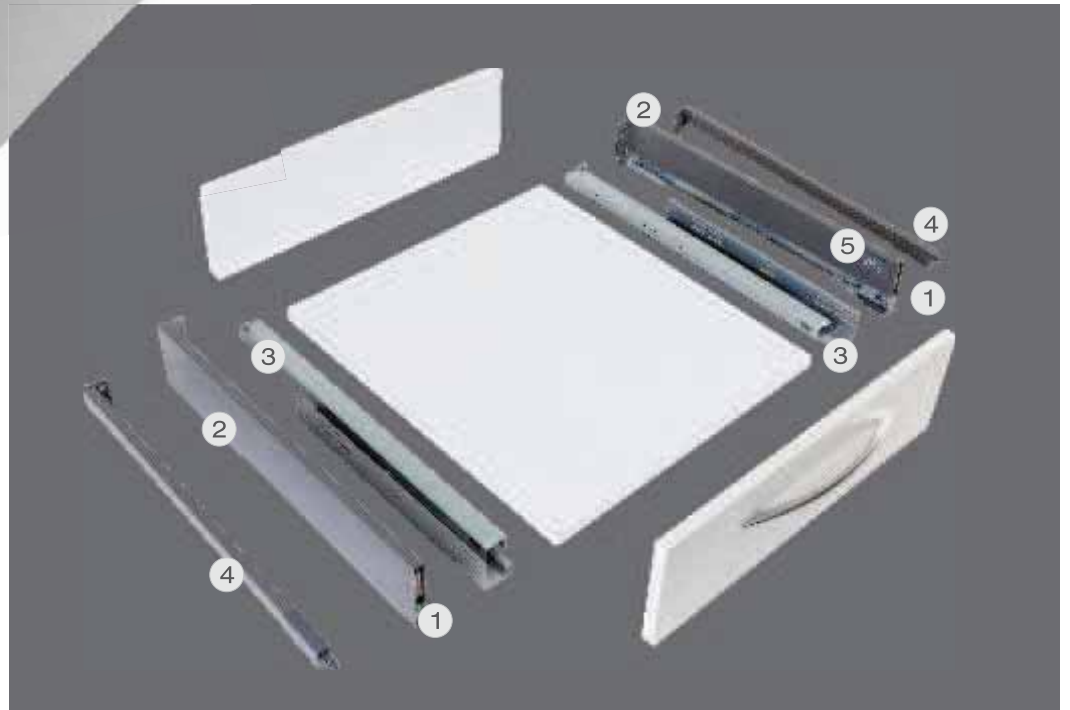


Anthracite



White

ASSEMBLY



1
FRONT
CONNECTOR
(L/R)



2
DECORATIVE
COVER



3
SOFT CLOSE
CHANNEL



4
SINGLE/
DOUBLE
RAIL



5
GODREJ LOGO
PLATE CLIP (L/R)



APPLICATION



Steam Pot



Fry Pan

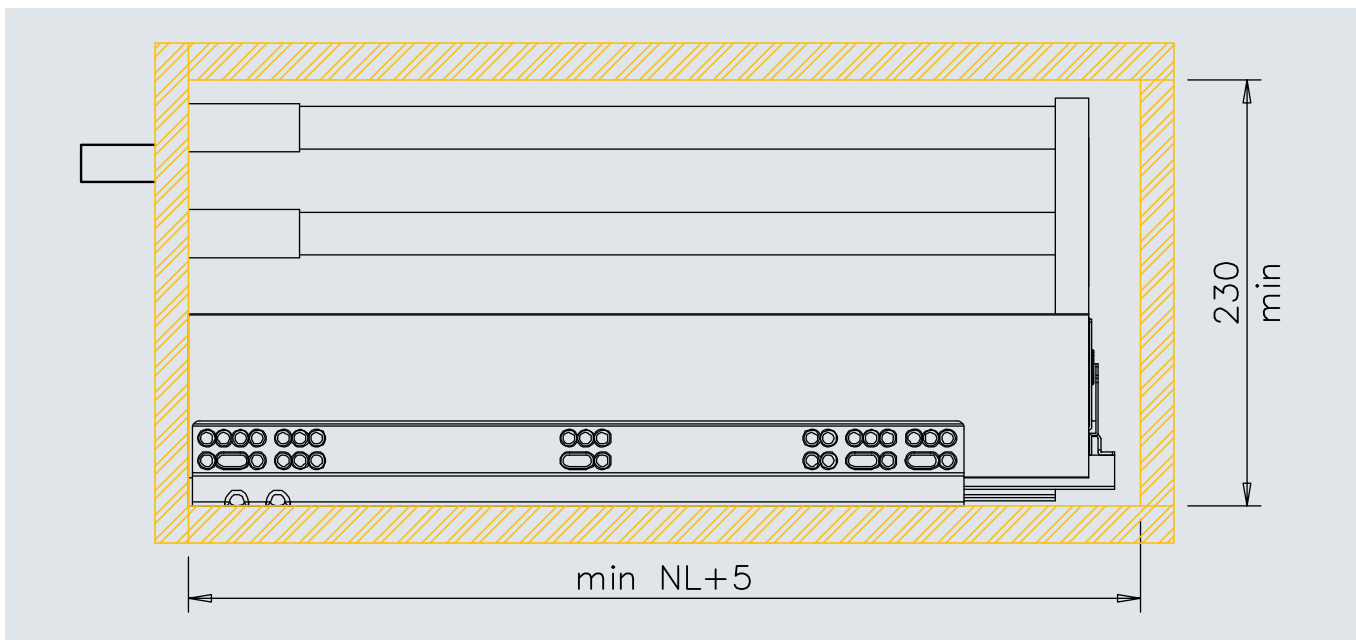
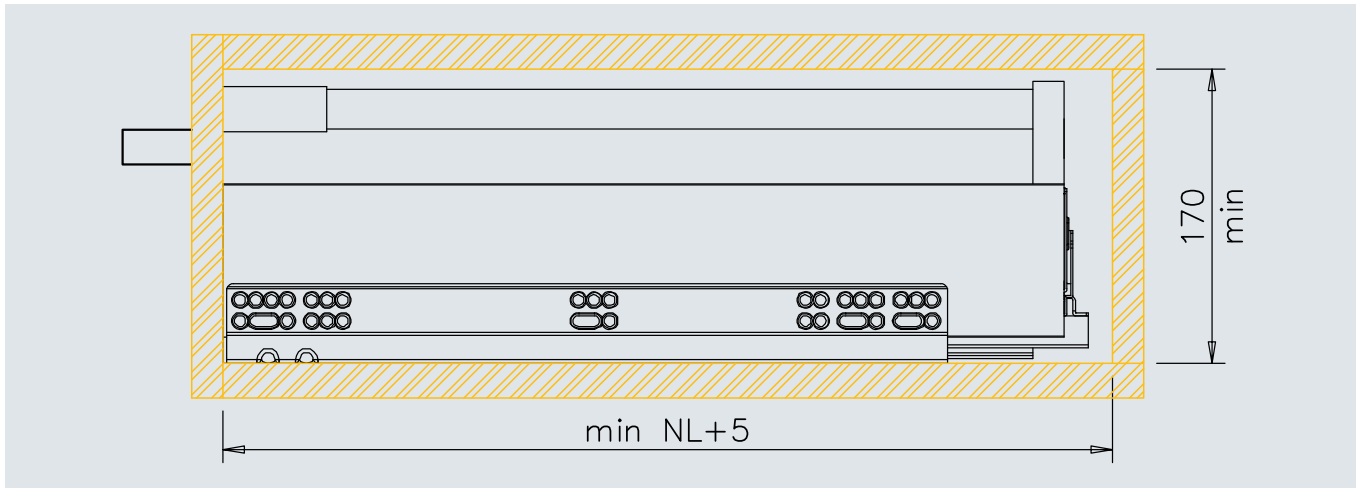


Tea Pot



Big Plates

DIAGRAM



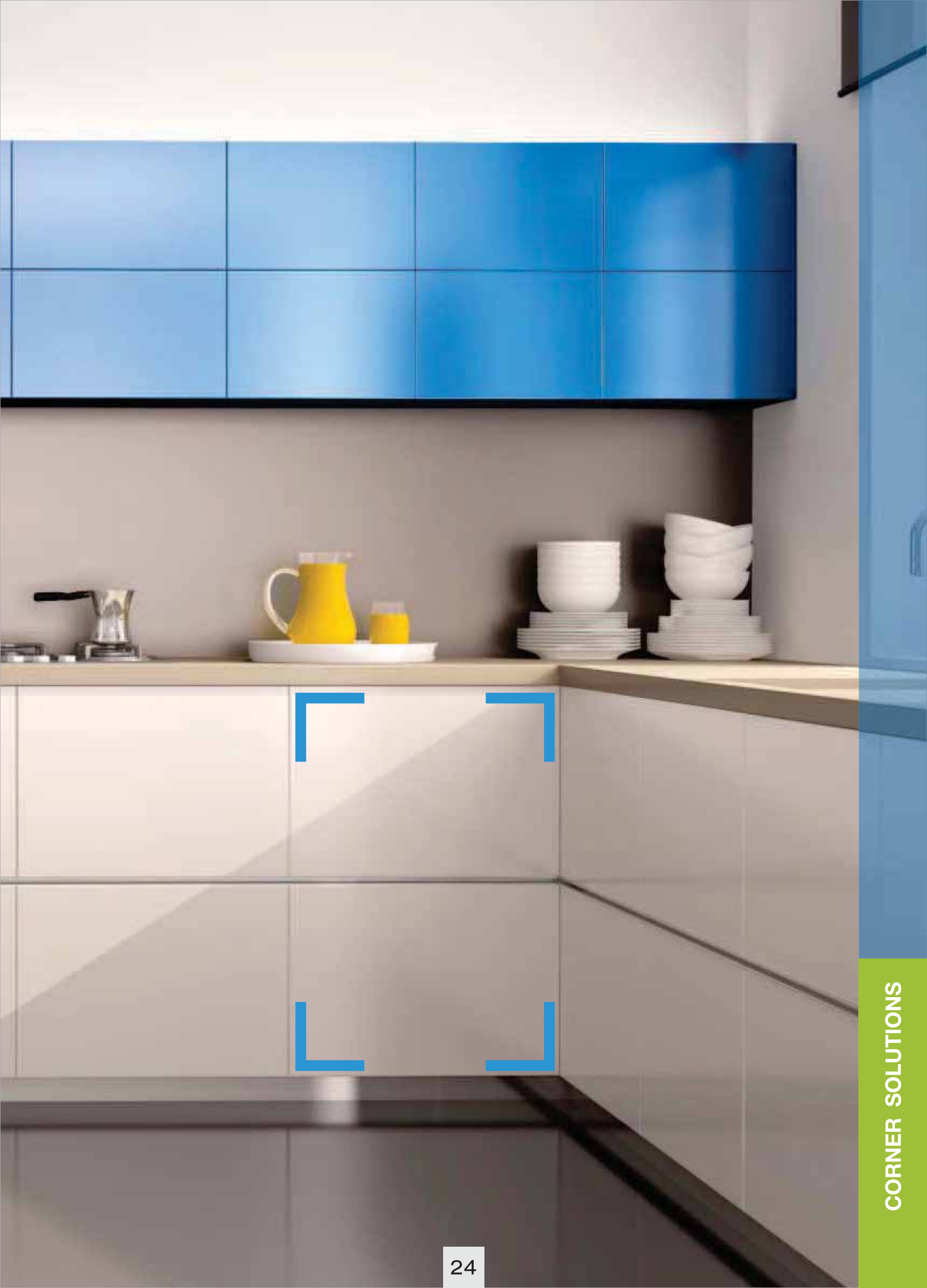
Single Rail					
Sr. No.	Product code	Item Description	Nominal Length (mm) NL	Internally usable drawer depth (mm)	Minimum installation height (mm)
1	4344	Slim Ergo Single SquareRail 450mm Anthracite Finish	450	424	170
2	4345	Slim Ergo Single Square Rail 500mm Anthracite Finish	500	474	170
3	4346	Slim Ergo Single Square Rail 550mm Anthracite Finish	550	524	170
4	4347	Slim Ergo Single Square Rail 450mm White Finish	450	424	170
5	4348	Slim Ergo Single Square Rail 500mm White Finish	500	474	170
6	4349	Slim Ergo Single Square Rail 550mm White Finish	550	524	170

Double Rail **					
Sr. No.	Product code	Item Description	Nominal Length (mm) NL	Internally usable drawer depth (mm)	Minimum installation height (mm)
1	4344	Slim Ergo Single SquareRail 450mm Anthracite Finish	450	424	230
2	4345	Slim Ergo Single Square Rail 500mm Anthracite Finish	500	474	230
3	4346	Slim Ergo Single Square Rail 550mm Anthracite Finish	550	524	230
4	4347	Slim Ergo Single Square Rail 450mm White Finish	450	424	230
5	4348	Slim Ergo Single Square Rail 500mm White Finish	500	474	230
6	4349	Slim Ergo Single Square Rail 550mm White Finish	550	524	230

** Two quantities of each product code under Single Rail for Double Rail Slim Ergo Box.

CORNER SOLUTION









CAROUSEL

CORNER SOLUTION

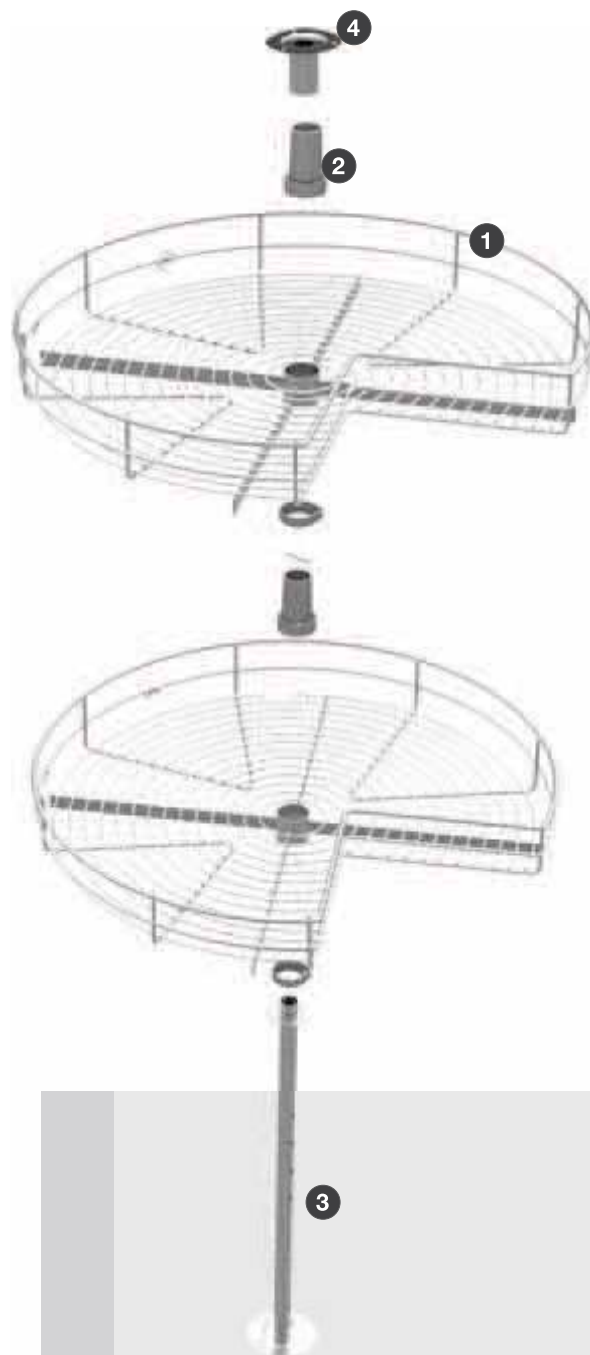
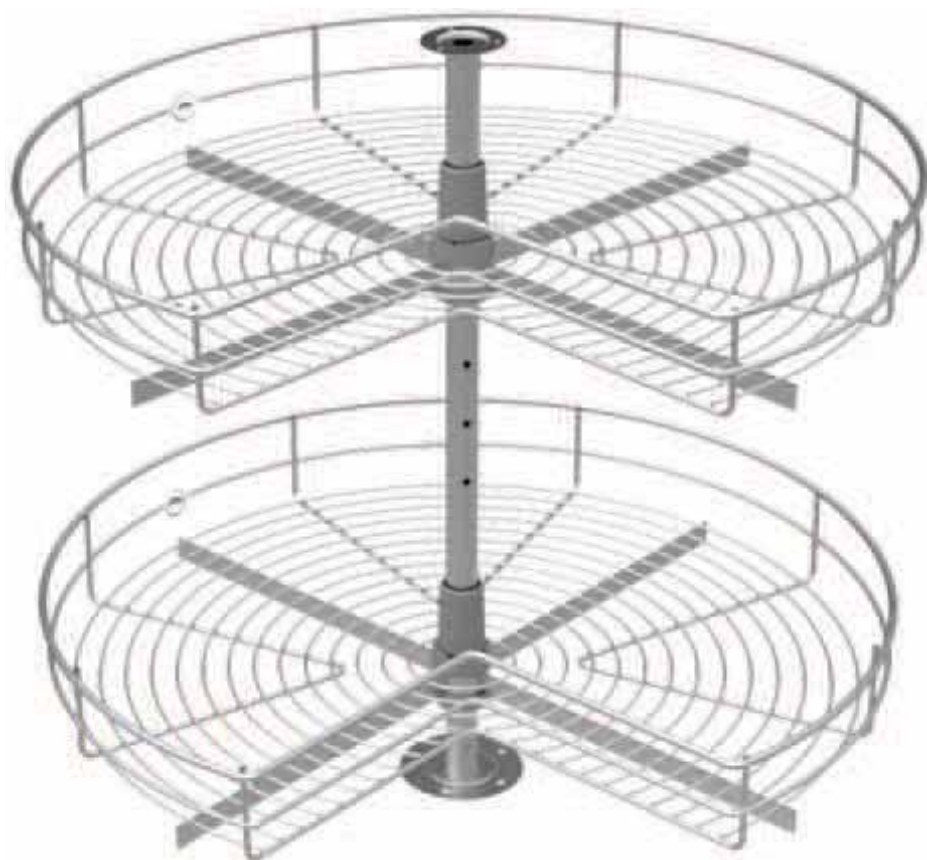
Key Features:

- Two shelves for extra loading
- Smooth, 180-degree revolving mechanism for optimum utilization of space and ease of operation
- Adjustable heights

Application:

- Corners of Kitchen

ASSEMBLY



CAROUSEL SYSTEM

1

TRAY



2

CONNECTOR AND BUSH



3

BIG ROD



4

SMALL ROD



APPLICATION



Tetra Pak



Steel Tin



Glass Jar



Food Packets

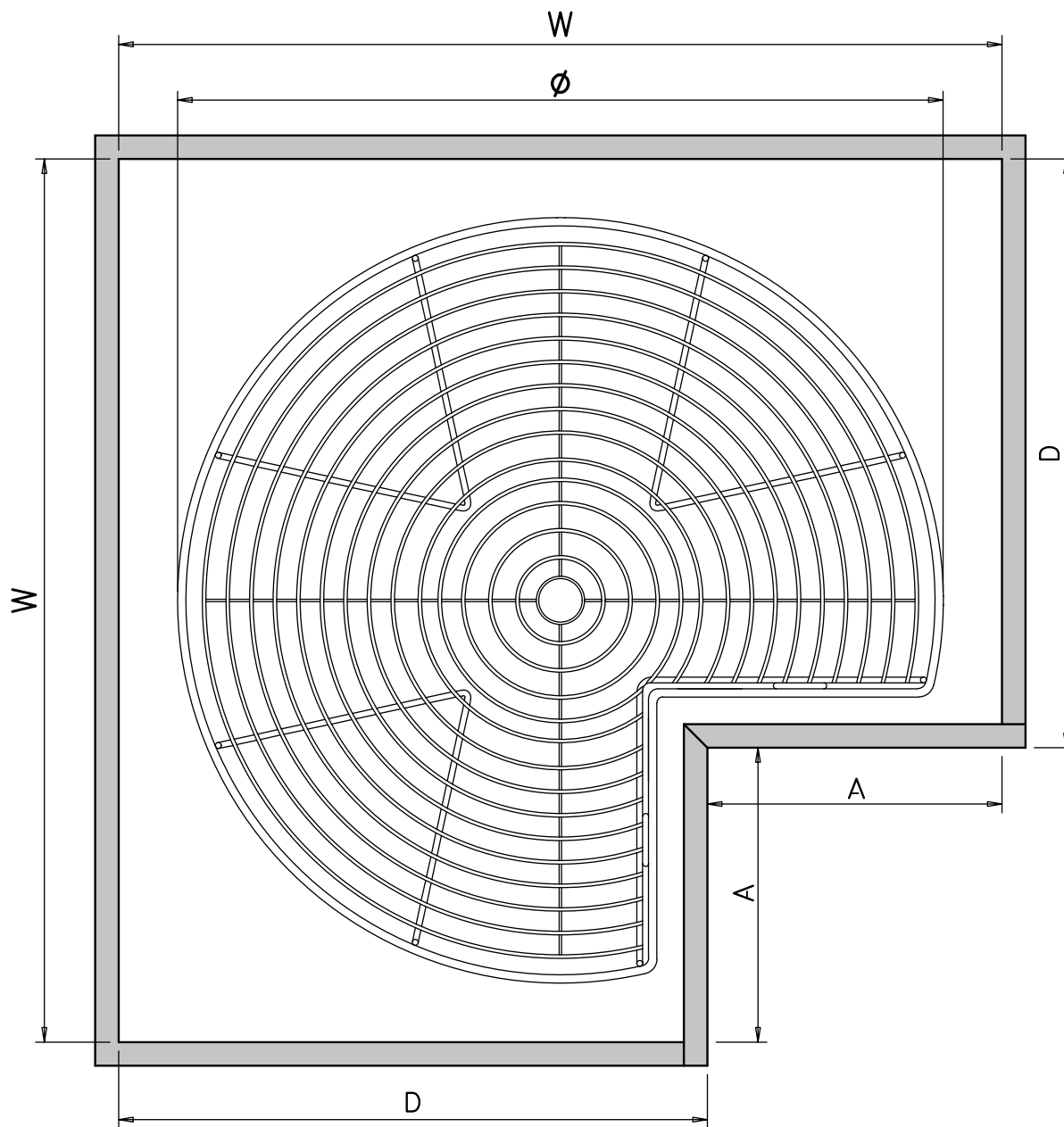


Mason Jar

SCAN THE QR CODE
TO WATCH DEMO VIDEO



DIAGRAM



Sr. No.	Code	Product Description	Carrousel Size Ø (mm)	Internal Minimum Total Width "W" (mm)	Internal Minimum Depth "D" (mm)	Internal Minimum opening Width "A" (mm)	Internal Maximum Height "H" (mm)
---------	------	---------------------	-----------------------	---------------------------------------	---------------------------------	---	----------------------------------

Required Cabinet Dimensions

1	5818	Carousel SS - 600 mm Dia	600	700	475	225	700
2	5819	Carousel SS 304 - 600 mm Dia	600	700	475	225	700
3	6176	Carousel SS - 650 mm Dia	650	750	500	250	700
4	6177	Carousel SS - 750 mm Dia	750	850	550	300	700
5	6178	Carousel SS 304 - 650 mm Dia	650	750	500	250	700
6	6179	Carousel SS 304 - 750 mm Dia	750	850	550	300	700



D-TRAY

CORNER SOLUTION

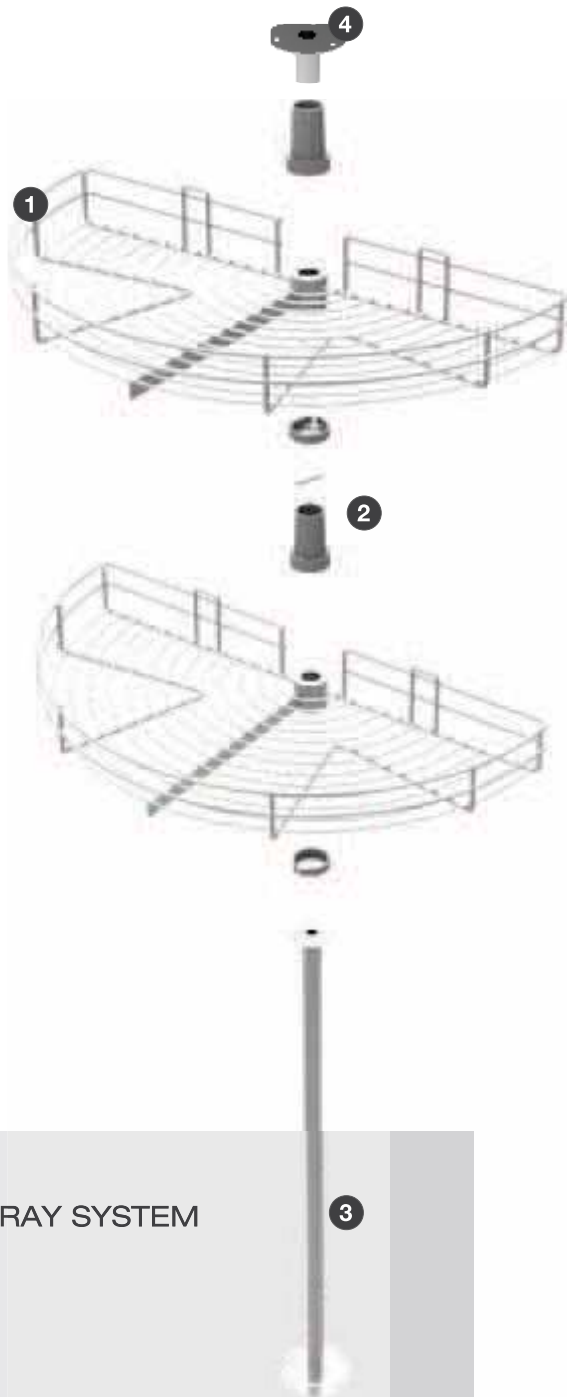
Key Features:

- Two shelves for extra loading
- Smooth, 180-degree revolving mechanism for optimum utilization of space and ease of operation
- Adjustable heights

Application:

- Blind Corner of kitchen

ASSEMBLY



1
TRAY



2
CONNECTOR AND BUSH



3
BIG ROD



4
SMALL ROD



APPLICATION



Tetra Pak



Steel Tin



Glass Jar



Food Packets

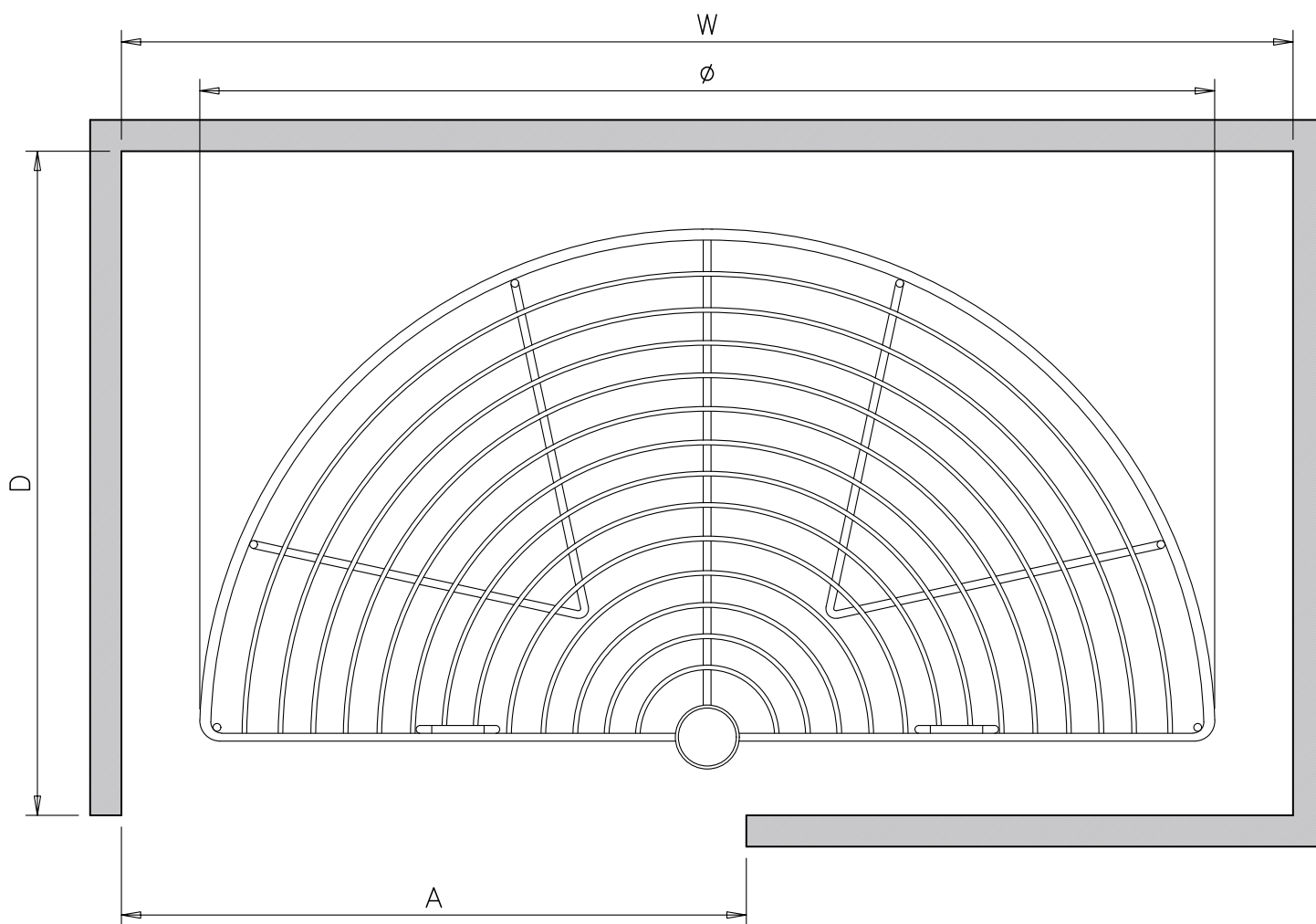


Glass Tin

SCAN THE QR CODE
TO WATCH DEMO VIDEO



DIAGRAM



Sr. No.	Code	Product Description	Tray Size Ø (mm)	Internal Minimum Total Width W (mm)	Internal Minimum Depth D (mm)	Internal Minimum opening Width A (mm)	Internal Maximum Height H (mm)
---------	------	---------------------	------------------	-------------------------------------	-------------------------------	---------------------------------------	--------------------------------

Required Cabinet Dimensions

1	6181	D Tray SS - 650 mm Dia	650	750	425	400	700
2	6182	D Tray SS - 750 mm Dia	750	850	475	450	700



SWING TRAY

CORNER SOLUTION

Key Features:

- Two spacious chambers for all kitchen utilities
- Suitable cabinet size up to 950 mm
- Door width up to 450 mm minimum
- Precise sort closing mechanism for smooth closing of drawers
- Specifications (W x D x H) x 480 x (660-770) mm

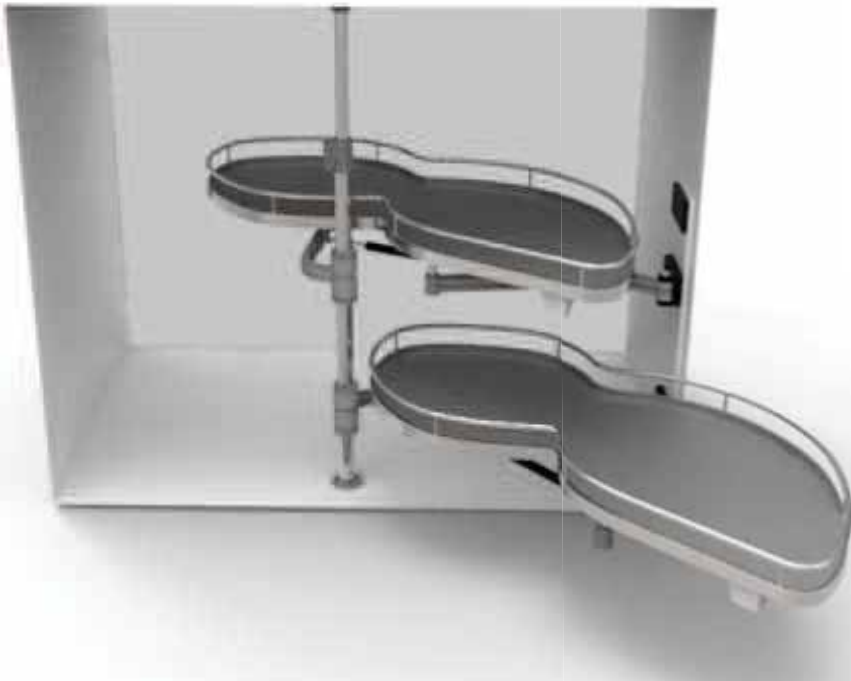
Application:

- Corner Solution

Usage:

- Pots, pans etc.

ASSEMBLY



SWING TRAY SYSTEM



1 SHELF



2 MAIN CENTER POLE



3 GAS STRUT



4 TOP CAP



5 CENTER POLE CAP



6 BOTTOM CAP



7 CENTER POLE CAP



8 QUICK RELEASE CAP



9 LONG ARM



10 SHORT ARM



APPLICATION



Tea Pot



Fry Pan



Glass Tin



Steam Pot

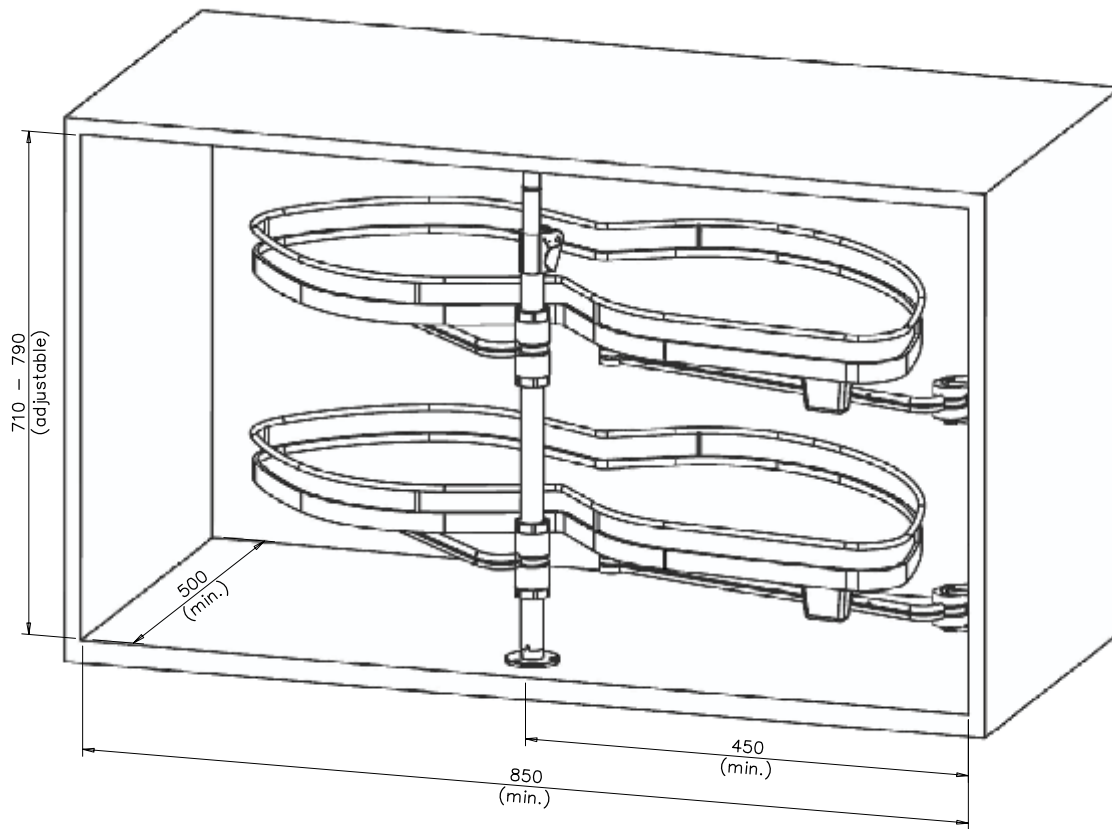


Glass Bowls

SCAN THE QR CODE
TO WATCH DEMO VIDEO



DIAGRAM



PRODUCT DIMENSIONS

Width (mm)	Depth (mm)	Adjustable Height (mm)
840	440	710 - 790

REQUIRED CABINET DIMENSIONS

Internal Minimum Total Width (mm)	Internal Minimum Depth (mm)	Internal Recommended Minimum Height (mm)	Internal Minimum opening width (mm)
850	500	710 - 790	450



MAGIC CORNER

CORNER SOLUTION

Key Features:

- Four spacious chambers for storing kitchen utilities
- Suitable cabinet size upto 1000 mm
- Door width upto 450 mm
- Precise soft closing mechanism for smooth closing of drawers
- Specifications (W x D x H) x 480 x (660-770) mm

Application:

- Corner Solution

Usage:

- Pots
- Pans etc.

ASSEMBLY

MAGIC CORNER SYSTEM



1

TRAY



2

CORNER
FIXING PLATE



3

SLIDING
FRAME



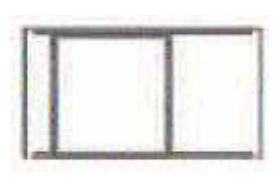
4

GUIDE
PLATE



5

FRAME



6

SHUTTER
CONNECTOR



7

SWING
DRAWER BAR



APPLICATION



Fry Pan



Steel Tin



Steam Pot



Glass Plates



Heavy Glass
Bowls

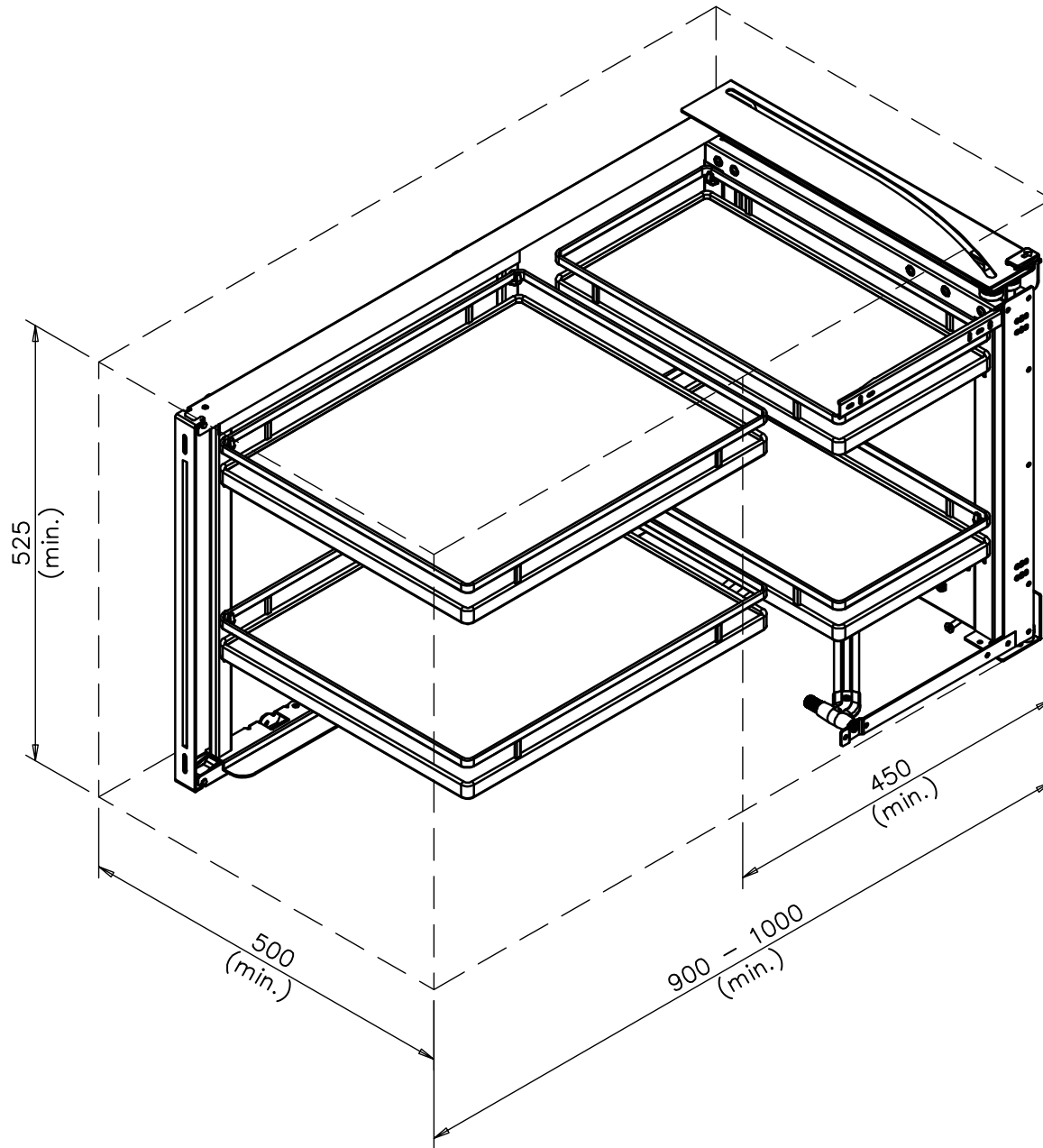


Bowls

SCAN THE QR CODE
TO WATCH DEMO VIDEO



DIAGRAM



Sr. No.	Code	Product Description	Product Specification (W X D X H) mm	Internal Minimum Total Width (mm)	Internal Minimum Depth (mm)	Internal Minimum Height (mm)	Internal Maximum Width (mm)
---------	------	---------------------	--------------------------------------	-----------------------------------	-----------------------------	------------------------------	-----------------------------

Required Cabinet Dimensions

1	6488	Magic Corner Left	(860 - 960) X 480 X 525	900 - 1000	500	525	450
2	6489	Magic Corner Right	(860 - 960) X 480 X 525	900 - 1000	500	525	450

TALL UNIT



TALL UNIT

TALL UNIT





TALL UNIT



TALL UNIT

CORNER SOLUTION

Key Features:

- Easy, full-extension pull out
- Bottom-mounted runner for smooth closing
- Robust structural frame for high stability
- SS material for high durability
- 6 Internal baskets for dedicated storage space
- Load carrying capacity of 10 kg per basket

Application:

- Tall space solution

ASSEMBLY



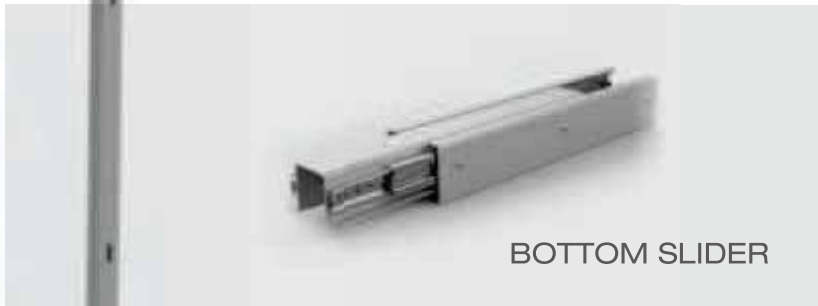
FRAME



TALL UNIT BASKET



TOP SLIDER



BOTTOM SLIDER



FASCIA BRACKET



BASKET HOLDING CLIP

APPLICATION



Tetra Pak



Steel Tin



Food Packets

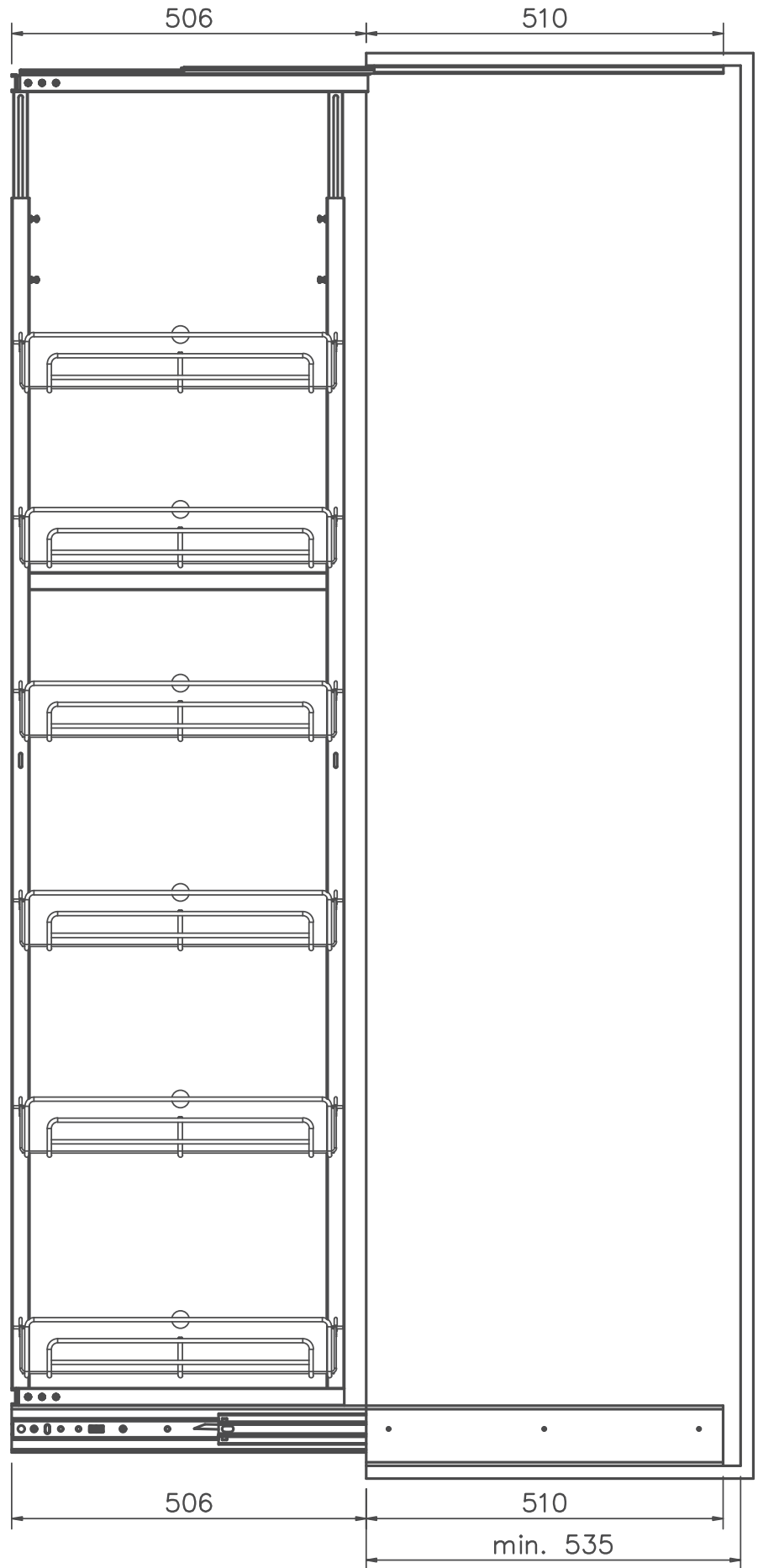
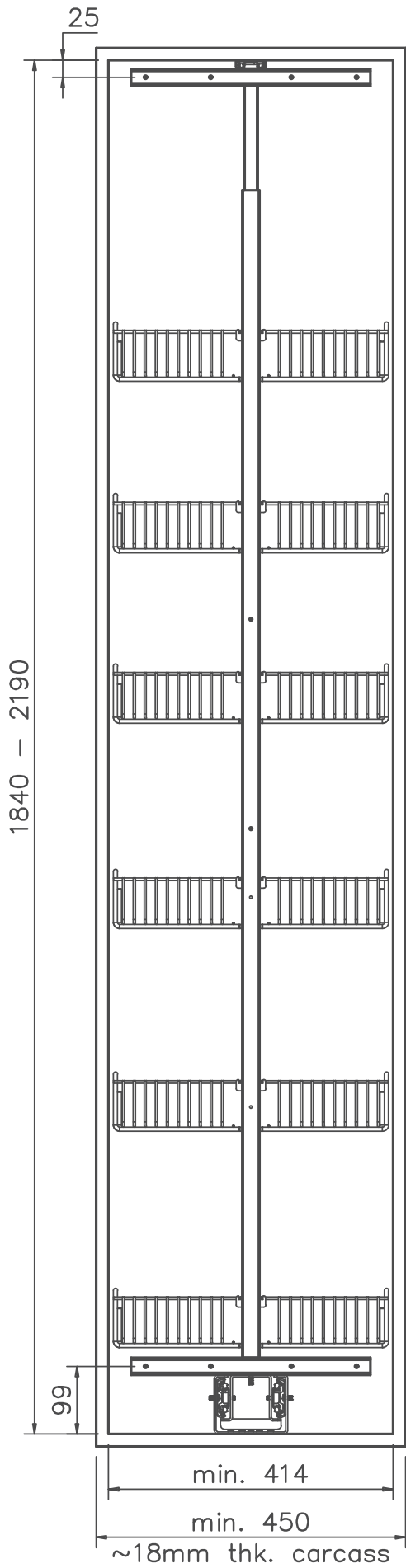


Glass Tin

Product Description: SS Tall Unit

Product Code	Type	Adjustable Height (mm)	Internal Minimum Width (mm)	Internal Minimum Depth (mm)
6439	Full Extension	1840 - 2190	414 mm	535

DIAGRAM



Tall Unit in Full Extended Position

All dimensions in "mm"

SOFT PRO









SOFT PRO TOP SYSTEMS CORNER SOLUTION

Key Features:

- Easy, effortless opening and closing motion
- Progressive operation to stay open at any desired position
- Suitable for shutter widths:
400 - 700 x 400 mm (1 pcs)
900 - 1200 x 400 mm (2 pcs)

Application:

- Overhead cabinets shutters

Usage:

- Storing kitchen utilities in overhead cabinets

APPLICATION



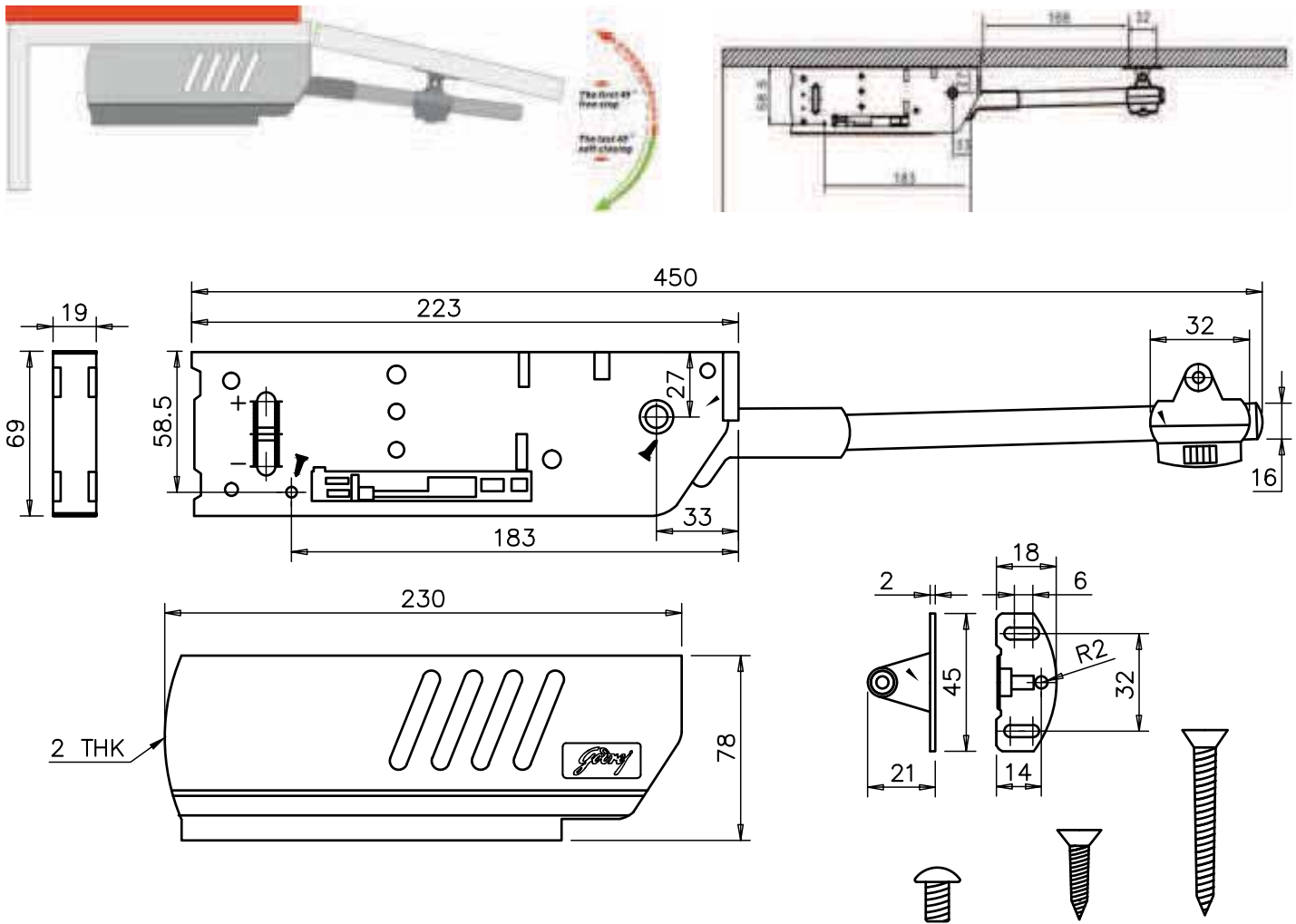
Product Description: Soft Pro Systems

Sr. No.	Code	Product Description
01	6417	Soft Pro Top System Left
02	6418	Soft Pro Top System Right
03	6419	Soft Pro Top System Heavy Left
04	6420	Soft Pro Top System Heavy Right

SCAN THE QR CODE
TO WATCH DEMO VIDEO



DIAGRAM



PRODUCT SELECTION

		Product Selection Chart																				
		Width (mm)																				
Height (mm)	320																					
	340								Lx1	Lx1	Lx1	Lx1	Lx1	Lx1	Lx1	Fx1	Fx1					
	360								Lx1	Lx1	Lx1	Lx1	Lx1	Fx1	Fx1	Fx1	Fx1	Fx1				
	380								Lx1	Lx1	Lx1	Lx1	Lx1	Fx1	Fx1	Fx1	Fx1	Lx2	Lx2	Lx2		
	400								Lx1	Lx1	Lx1	Lx1	Lx1	Fx1	Fx1	Fx1	Fx1	Lx2	Lx2	Lx2	Lx2	
	420								Lx1	Lx1	Lx1	Lx1	Lx1	Fx1	Fx1	Fx1	Fx1	Lx2	Lx2	Lx2	Lx2	
	440								Lx1	Lx1	Lx1	Lx1	Fx1	Fx1	Fx1	Lx2	Lx2	Lx2	Lx2	Fx2	Fx2	
	460								Lx1	Lx1	Lx1	Lx1	Fx1	Fx1	Fx1	Lx2	Lx2	Lx2	Lx2	Fx2	Fx2	Fx2
	480								Lx1	Lx1	Lx1	Lx1	Fx1	Fx1	Fx1	Lx2	Lx2	Lx2	Lx2	Fx2	Fx2	Fx2
	500								Lx1	Lx1	Lx1	Lx1	Fx1	Fx1	Fx1	Lx2	Lx2	Lx2	Lx2	Fx2	Fx2	Fx2
	520								Lx1	Lx1	Lx1	Lx1	Fx1	Fx1	Fx1	Lx2	Lx2	Lx2	Lx2	Fx2	Fx2	Fx2
	540								Lx1	Lx1	Lx1	Lx1	Fx1	Fx1	Fx1	Lx2	Lx2	Lx2	Lx2	Fx2	Fx2	Fx2
	560								Lx1	Lx1	Lx1	Lx1	Fx1	Fx1	Fx1	Lx2	Lx2	Lx2	Lx2	Fx2	Fx2	Fx2
	580								Lx1	Lx1	Lx1	Lx1	Fx1	Fx1	Fx1	Lx2	Lx2	Lx2	Lx2	Fx2	Fx2	Fx2
	600								Lx1	Lx1	Lx1	Lx1	Fx1	Fx1	Fx1	Lx2	Lx2	Lx2	Lx2	Fx2	Fx2	Fx2
	620								Lx1	Lx1	Lx1	Lx1	Fx1	Fx1	Fx1	Lx2	Lx2	Lx2	Lx2	Fx2	Fx2	Fx2
	640								Lx1	Lx1	Lx1	Lx1	Fx1	Fx1	Fx1	Lx2	Lx2	Lx2	Lx2	Fx2	Fx2	Fx2
660								Lx1	Lx1	Lx1	Lx1	Fx1	Fx1	Fx1	Lx2	Lx2	Lx2	Lx2	Fx2	Fx2	Fx2	
680								Lx1	Lx1	Lx1	Lx1	Fx1	Fx1	Fx1	Lx2	Lx2	Lx2	Lx2	Fx2	Fx2	Fx2	
700								Lx1	Lx1	Lx1	Lx1	Fx1	Fx1	Fx1	Lx2	Lx2	Lx2	Lx2	Fx2	Fx2	Fx2	

- Lx1 → 1 Light type Top System
 - Fx1 → 1 Heavy type Top System
 - Lx2 → 2 Light type Top System
 - Fx2 → 2 Heavy type Top System
1. Above chart applicable only for standard MDF board shutter with 18 mm thickness.
 2. Chart provides an overview of possible shutter sizes for carcass.
 3. Always test assembly before use.

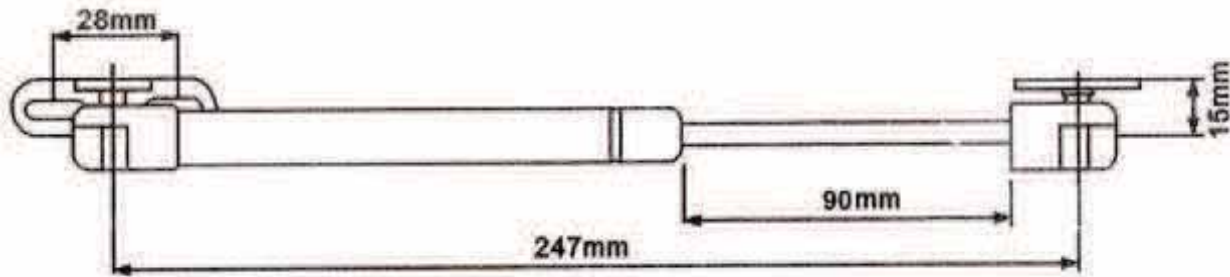
APPLICATION



Product Description: Regular Gas Spring

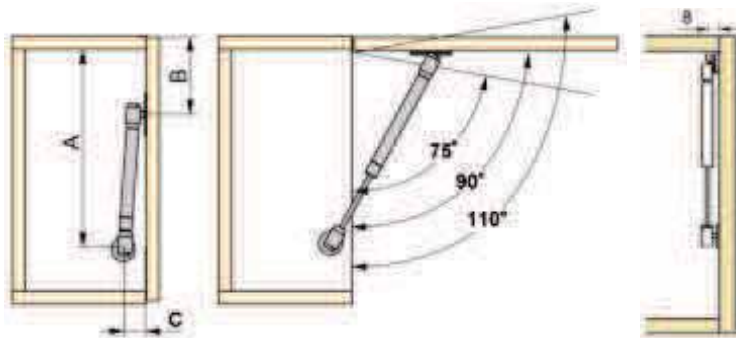
Sr. No.	Code	Product Description
01	4960	Gas spring Regular 60N
02	4961	Gas spring Regular 80N
03	4963	Gas spring Regular 100N
04	49653	Gas spring Regular 120N

DIAGRAM

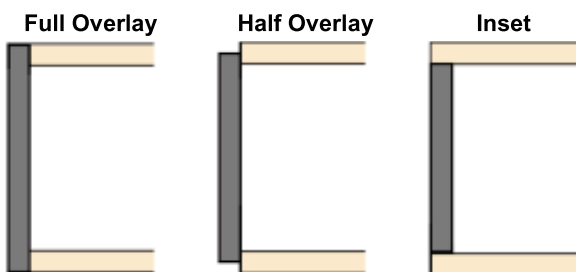


PRODUCT SELECTION

Door Height (max.) mm	Door Weight (max.)			
	60 N	80 N	100 N	120 N
Angle of opening = 75°				
300	2.0 kg	2.7 kg	3.4 kg	4.1 kg
400	1.5 kg	2.0 kg	2.6 kg	3.1 kg
500	1.2 kg	1.6 kg	2.0 kg	2.5 kg
600	1.0 kg	1.4 kg	1.8 kg	2.0 kg
Angle of opening = 90°				
300	1.8 kg	2.4 kg	3.0 kg	3.6 kg
400	1.3 kg	1.8 kg	2.2 kg	2.7 kg
500	1.1 kg	1.4 kg	1.8 kg	2.1 kg
600	0.9 kg	1.2 kg	1.5 kg	1.8 kg
Angle of opening = 110°				
300	1.6 kg	2.1 kg	2.6 kg	3.1 kg
400	1.2 kg	1.6 kg	1.9 kg	2.3 kg
500	0.9 kg	1.2 kg	1.6 kg	1.9 kg
600	0.8 kg	1.0 kg	1.3 kg	1.6 kg



		A	B	C
Full Overlay	75°	260	80	25
	90°	238		
	110°	215		
Half Overlay	75°	266	80	
	90°	245		
	110°	227		
Inset	75°	278	80	45
	90°	255		
	110°	239		



Position X for Shutter Bracket

For Full Overlay Shutters

$$X = T + 8 \text{ mm}$$

For Half Overlay Shutters

$$X = T/2 + 8 \text{ mm}$$

For Inset Shutters

$$X = 8 \text{ mm}$$

(T = Thickness of Carcass)

Recommended Godrej Soft Close Cabinet Hinges 2 nos. for each cabinet shutters

For Full Overlay : Clip on Soft Hinge - Full Overlay (7216)

For Half Overlay : Clip on Soft Hinge - Half Overlay (7217)

For Inset : Clip on Soft Hinge - Inset (7218)

BASKETS





BASKETS





BASKET

Key Features:

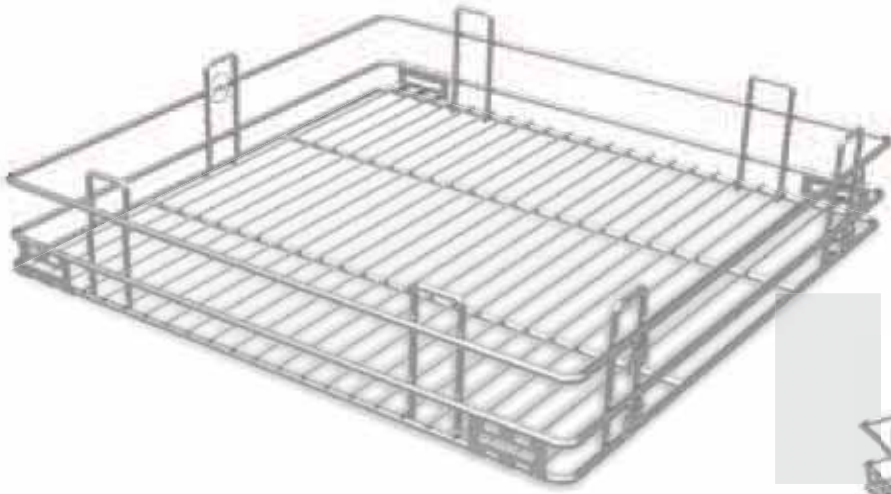
- SS Chrome-plated / SS 304 Chrome - Plated for corrosion resistance
- SS wire for longevity
- Varied sized for optimum utilisation of space

Usage

- Cup & Saucers
- Cutlery
- Plates & thalis
- Bottles & Kitchen utilities
- Heavy grain bags

PLAIN BASKET SS

10
YEARS
WARRANTY



APPLICATION



Fry Pan



Steel Tin



Steam Pot



Glass Plates



Glass Bowls



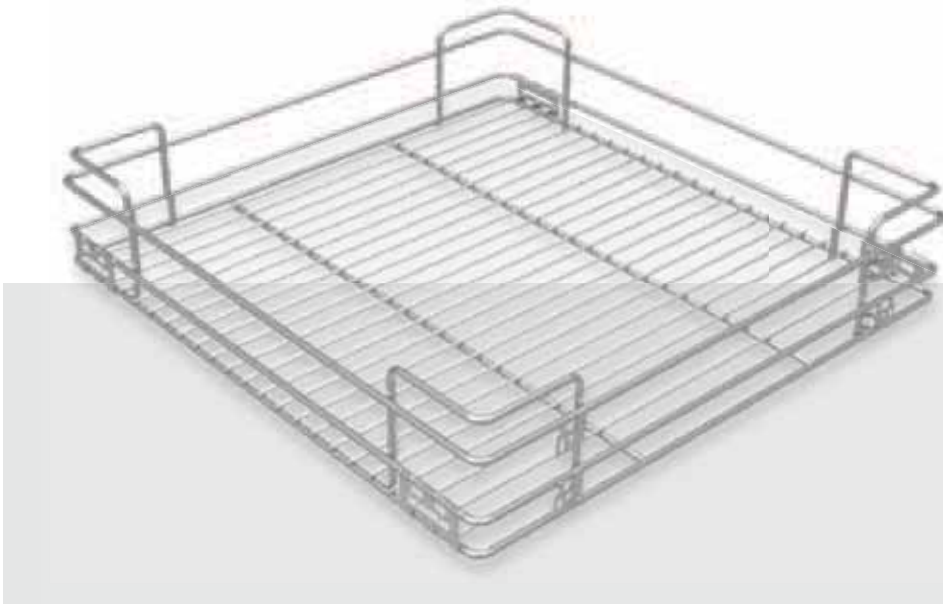
Bowls



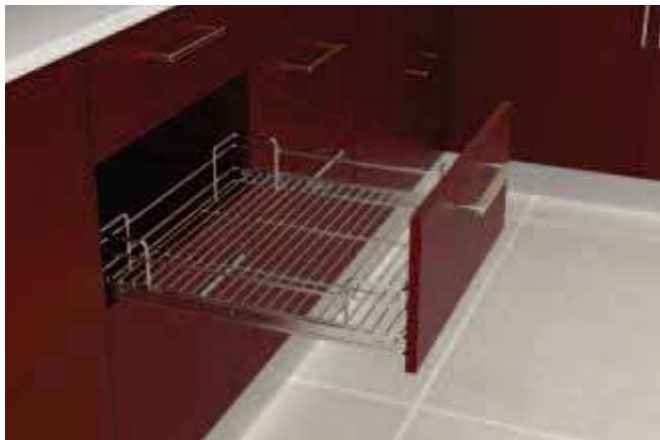
Glasses

PLAIN BASKET SS 304

15
YEARS
WARRANTY



APPLICATION



Fry Pan



Steel Tin



Steam Pot



Glass Plates



Glass Bowls



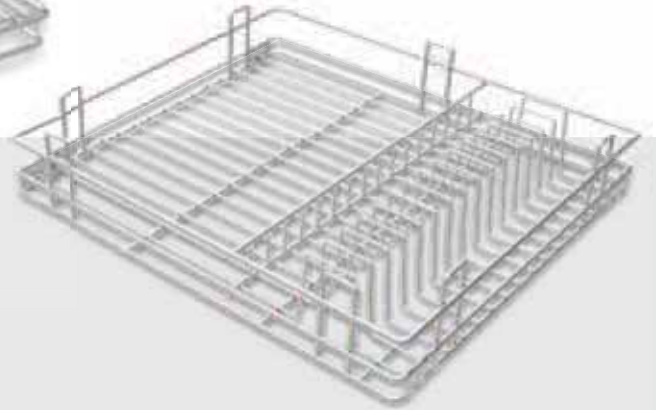
Bowls



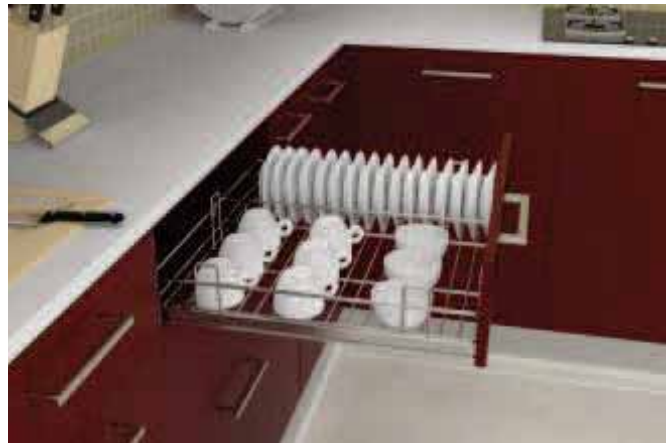
Glasses

CUP & SAUCER SS BASKET

10
YEARS
WARRANTY



APPLICATION



Cup And
Saucer



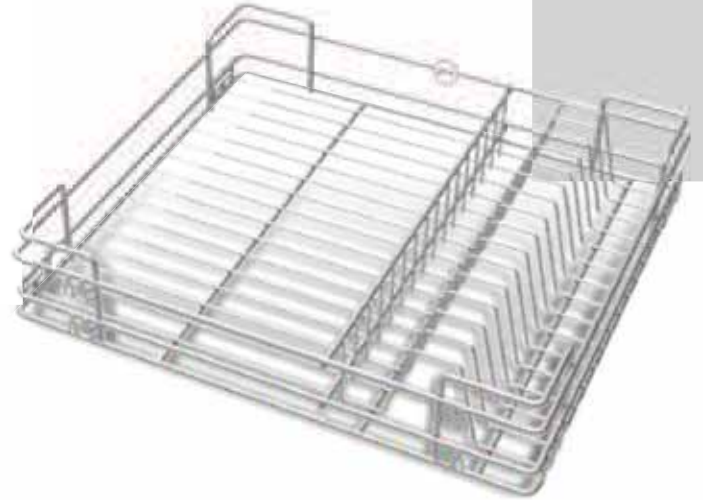
Small
Glass Bowls



Mug

CUP & SAUCER SS 304 BASKET

15
YEARS
WARRANTY



APPLICATION



Cup And Saucer



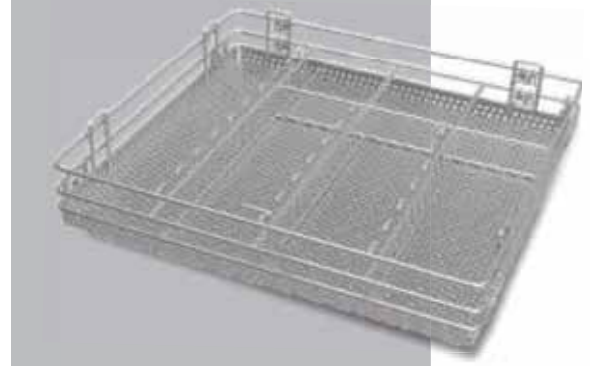
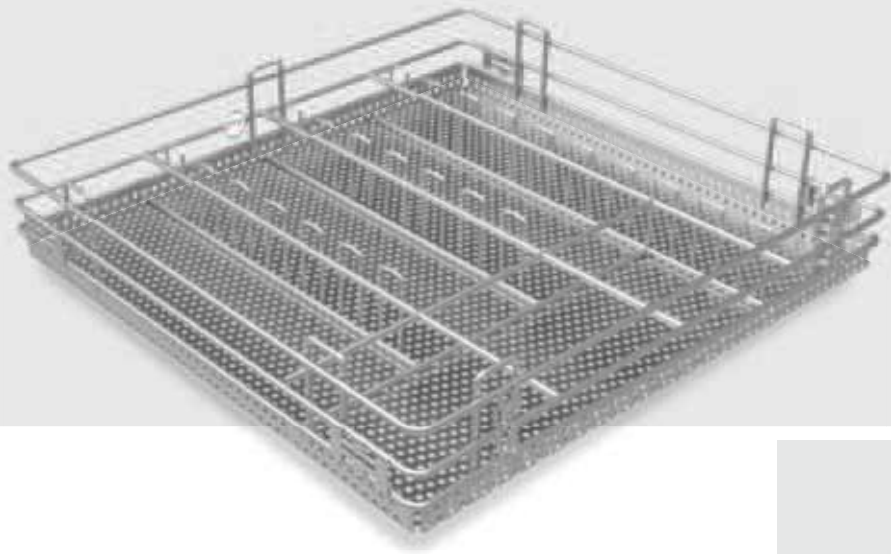
Small Glass Bowls



Mug

PERFORATED CUTLERY SS BASKET

10
YEARS
WARRANTY



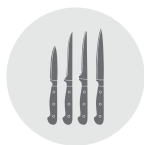
APPLICATION



Spoons
Spatulas



Small
Glass Bowls



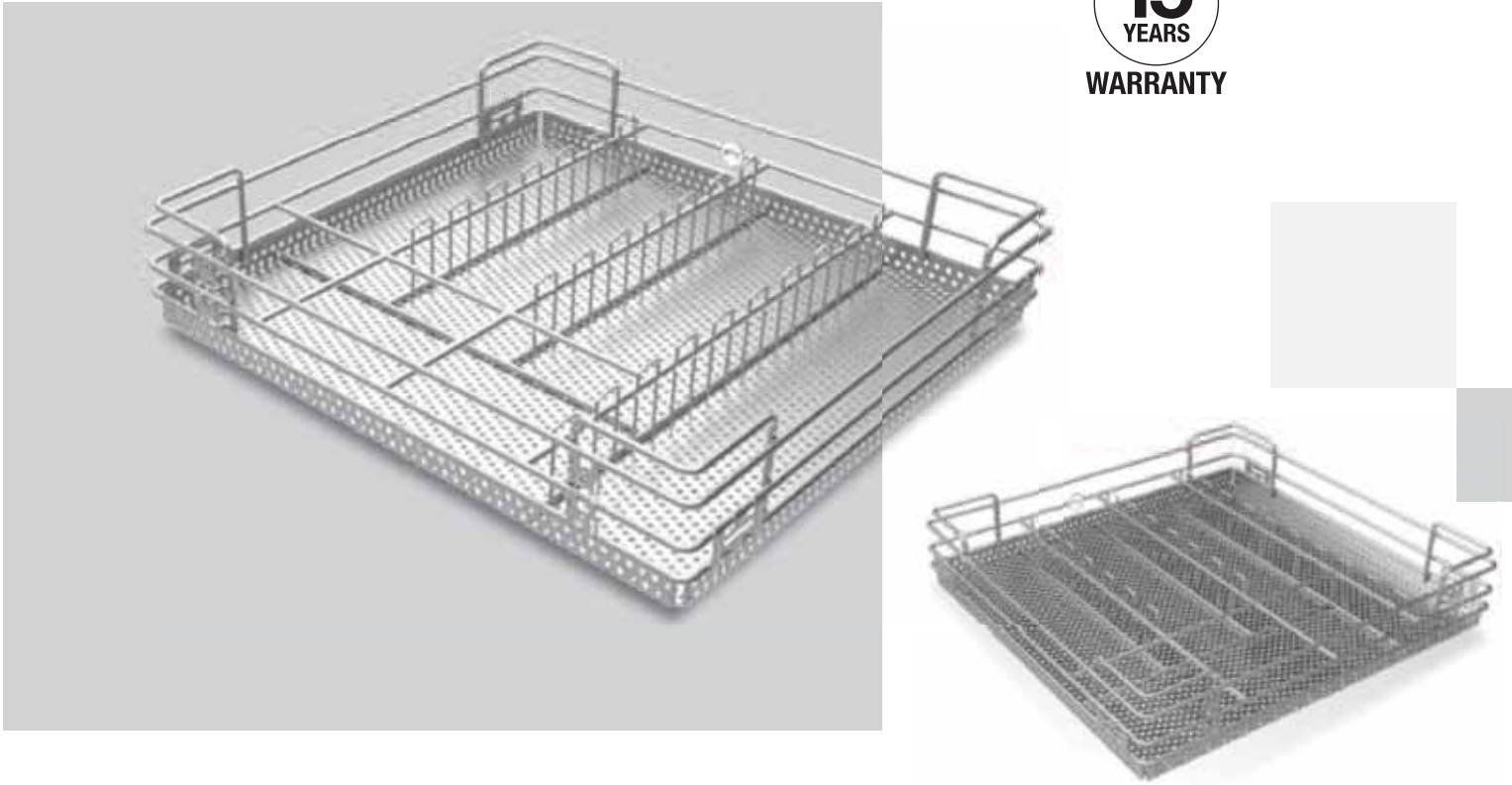
Knives



Scissors

PERFORATED CUTLERY SS 304 BASKET

15
YEARS
WARRANTY



APPLICATION



Spoons
Spatulas



Small
Glass Bowls



Knives



Scissors

TWO SHELF PULL OUT SS

10
YEARS
WARRANTY



APPLICATION



Tin



Glass Jar



Bottles



Spice Jar

TWO SHELF PULL OUT SS 304

15
YEARS
WARRANTY



APPLICATION



Tetra Pak



Bottles



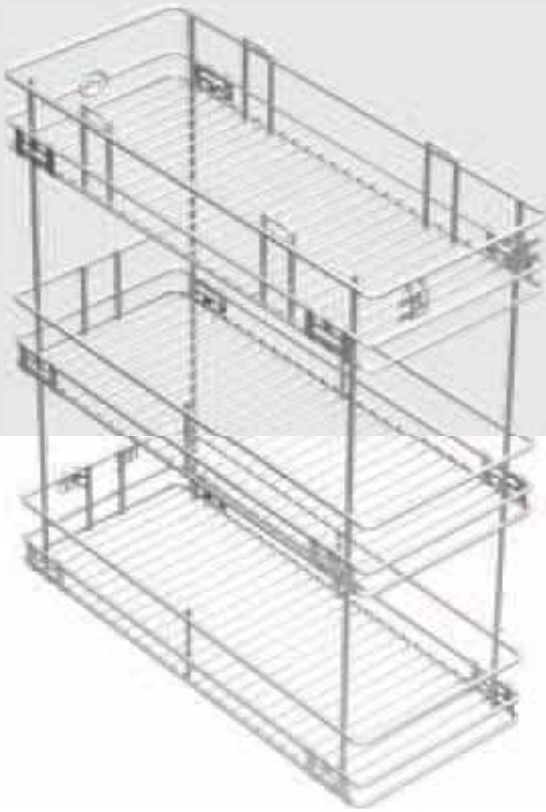
Glass Jar



Spice Jar

THREE SHELF PULL OUT SS

10
YEARS
WARRANTY



APPLICATION



Tin



Glass Jar



Bottles



Spice Jar

THREE SHELF PULL OUT SS 304

15
YEARS
WARRANTY



APPLICATION



Tetra Pak



Bottles



Glass Jar



Spice Jar

SCAN THE QR CODE
TO WATCH DEMO VIDEO



GRAIN TROLLEY SS

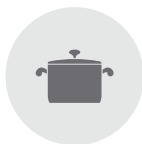
10
YEARS
WARRANTY



APPLICATION



Big
Container



Small
Container



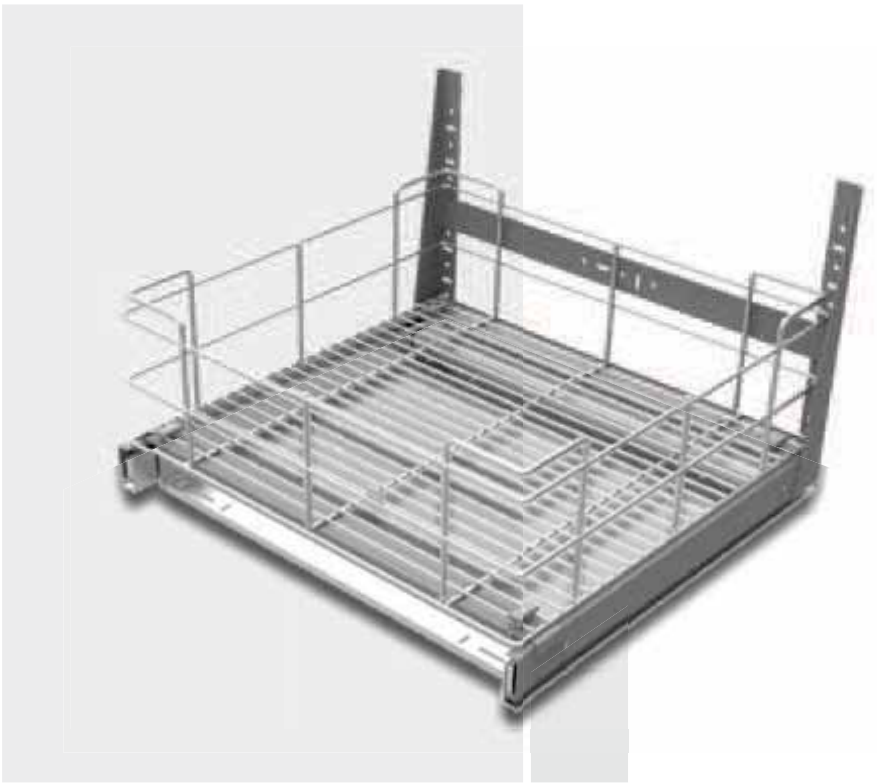
Grain Storage
Container



Packaged
Atta Packages

GRAIN TROLLEY SS 304

15
YEARS
WARRANTY



APPLICATION



Big Container



Small Container



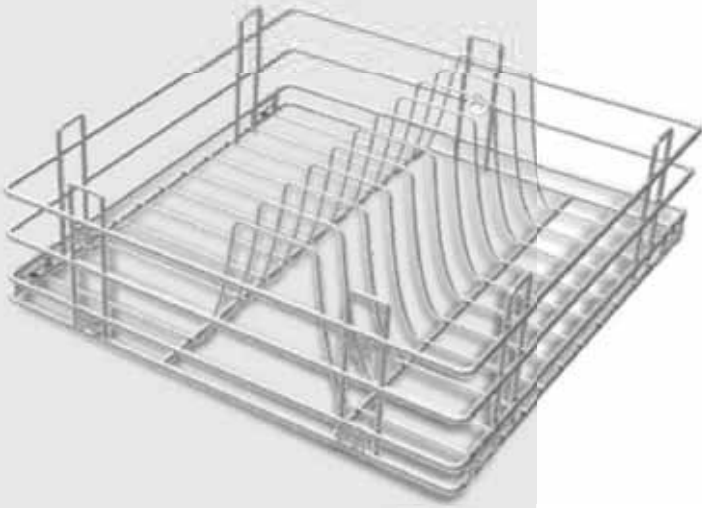
Grain Storage Container



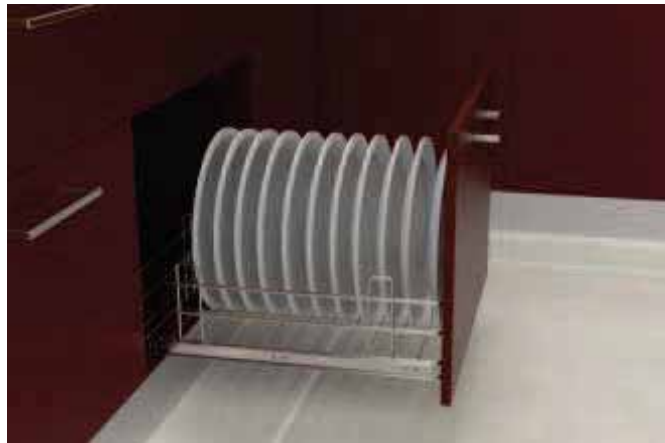
Packaged Atta Packages

THALI PLATE BASKET SS

10
YEARS
WARRANTY



APPLICATION



Big Thali



Plates

THALI PLATE BASKET SS 304

15
YEARS
WARRANTY



APPLICATION



Big Thali



Plates

PLAIN BASKET - SS

Sr.No.	Code	Product Description	Size
1	6120	Plain Basket SS	370 x 485 x 100 mm
2	6121	Plain Basket SS	370 x 485 x 150 mm
3	6122	Plain Basket SS	370 x 485 x 200 mm
4	6123	Plain Basket SS	420 x 485 x 100 mm
5	6124	Plain Basket SS	420 x 485 x 150 mm
6	6125	Plain Basket SS	420 x 485 x 200 mm
7	5902	Plain Basket SS	470 x 485 x 100 mm
8	5903	Plain Basket SS	470 x 485 x 150 mm
9	5904	Plain Basket SS	470 x 485 x 200 mm
10	6126	Plain Basket SS	520 x 485 x 100 mm
11	6127	Plain Basket SS	520 x 485 x 150 mm
12	6128	Plain Basket SS	520 x 485 x 200 mm
13	5850	Plain Basket SS	370 x 535 x 100 mm
14	5851	Plain Basket SS	370 x 535 x 150 mm
15	5852	Plain Basket SS	370 x 535 x 200 mm
16	5853	Plain Basket SS	420 x 535 x 100 mm
17	5854	Plain Basket SS	420 x 535 x 150 mm
18	5855	Plain Basket SS	420 x 535 x 200 mm
19	5856	Plain Basket SS	470 x 535 x 100 mm
20	5857	Plain Basket SS	470 x 535 x 150 mm
21	5858	Plain Basket SS	470 x 535 x 200 mm
22	5859	Plain Basket SS	520 x 535 x 100 mm
23	5860	Plain Basket SS	520 x 535 x 150 mm
24	5861	Plain Basket SS	520 x 535 x 200 mm
25	5708	Plain Basket SS	370 x 585 x 100 mm
26	5709	Plain Basket SS	370 x 585 x 150 mm
27	5710	Plain Basket SS	370 x 585 x 200 mm
28	5711	Plain Basket SS	420 x 585 x 100 mm
29	5712	Plain Basket SS	420 x 585 x 150 mm
30	5713	Plain Basket SS	420 x 585 x 200 mm
31	5714	Plain Basket SS	470 x 585 x 100 mm
32	5715	Plain Basket SS	470 x 585 x 150 mm
33	5716	Plain Basket SS	470 x 585 x 200 mm
34	5717	Plain Basket SS	520 x 585 x 100 mm
35	5718	Plain Basket SS	520 x 585 x 150 mm
36	5719	Plain Basket SS	520 x 585 x 200 mm

PLAIN BASKET - SS 304

Sr.No.	Code	Product Description	Size
1	6148	Plain Basket SS 304	370 x 485 x 100 mm
2	6149	Plain Basket SS 304	370 x 485 x 150 mm
3	6150	Plain Basket SS 304	370 x 485 x 200 mm
4	6151	Plain Basket SS 304	420 x 485 x 100 mm
5	6152	Plain Basket SS 304	420 x 485 x 150 mm
6	6153	Plain Basket SS 304	420 x 485 x 200 mm
7	5910	Plain Basket SS 304	470 x 485 x 100 mm
8	5911	Plain Basket SS 304	470 x 485 x 150 mm
9	5912	Plain Basket SS 304	470 x 485 x 200 mm
10	6154	Plain Basket SS 304	520 x 485 x 100 mm
11	6155	Plain Basket SS 304	520 x 485 x 150 mm
12	6156	Plain Basket SS 304	520 x 485 x 200 mm

CUP & SAUCER BASKET - SS

Sr.No.	Code	Product Description	Size
1	6129	Cup & Saucer Basket SS	370 x 485 x 100 mm
2	6130	Cup & Saucer Basket SS	420 x 485 x 100 mm
3	5905	Cup & Saucer Basket SS	470 x 185 x 100 mm
4	6131	Cup & Saucer Basket SS	520 x 485 x 100 mm
5	5864	Cup & Saucer Basket SS	370 x 535 x 100 mm
6	5865	Cup & Saucer Basket SS	420 x 535 x 100 mm
7	5866	Cup & Saucer Basket SS	470 x 535 x 100 mm
8	5867	Cup & Saucer Basket SS	520 x 535 x 100 mm
9	5720	Cup & Saucer Basket SS	370 x 585 x 100 mm
10	5721	Cup & Saucer Basket SS	420 x 585 x 100 mm
11	5722	Cup & Saucer Basket SS	470 x 585 x 100 mm
12	5723	Cup & Saucer Basket SS	520 x 585 x 100 mm

CUP & SAUCER BASKET - SS 304

Sr.No.	Code	Product Description	Size
1	6157	Cup & Saucer Basket SS 304	370 x 485 x 100 mm
2	6158	Cup & Saucer Basket SS 304	420 x 485 x 100 mm
3	5913	Cup & Saucer Basket SS 304	470 x 485 x 100 mm
4	6159	Cup & Saucer Basket SS 304	520 x 485 x 100 mm

PERFORATED CUTLERY BASKET - SS

Sr.No.	Code	Product Description	Size
1	6132	Perforated Cutlery Basket SS	370 x 485 x 100 mm
2	6133	Perforated Cutlery Basket SS	420 x 485 x 100 mm
3	5906	Perforated Cutlery Basket SS	470 x 485 x 100 mm
4	6134	Perforated Cutlery Basket SS	520 x 485 x 100 mm
5	5868	Perforated Cutlery Basket SS	370 x 535 x 100 mm
6	5869	Perforated Cutlery Basket SS	420 x 535 x 100 mm
7	5870	Perforated Cutlery Basket SS	470 x 535 x 100 mm
8	5871	Perforated Cutlery Basket SS	520 x 535 x 100 mm
9	5724	Perforated Cutlery Basket SS	370 x 585 x 100 mm
10	5725	Perforated Cutlery Basket SS	420 x 585 x 100 mm
11	5726	Perforated Cutlery Basket SS	470 x 585 x 100 mm
12	5727	Perforated Cutlery Basket SS	520 x 585 x 100 mm

PERFORATED CUTLERY BASKET - SS 304

Sr.No.	Code	Product Description	Size
1	6160	Perforated Cutlery Basket SS 304	370 x 485 x 100 mm
2	6161	Perforated Cutlery Basket SS 304	420 x 485 x 100 mm
3	5914	Perforated Cutlery Basket SS 304	470 x 485 x 100 mm
4	6162	Perforated Cutlery Basket SS 304	520 x 485 x 100 mm

THALI - PLATE BASKET - SS

Sr.No.	Code	Product Description	Size
1	6135	Thali - Plate Basket SS	370 x 485 x 150 mm
2	6136	Thali - Plate Basket SS	370 x 485 x 200 mm
3	6137	Thali - Plate Basket SS	420 x 485 x 150 mm
4	6138	Thali - Plate Basket SS	420 x 485 x 200 mm
5	5907	Thali - Plate Basket SS	470 x 485 x 150 mm
6	5908	Thali - Plate Basket SS	470 x 485 x 200 mm
7	6139	Thali - Plate Basket SS	520 x 485 x 150 mm
8	6140	Thali - Plate Basket SS	520 x 485 x 200 mm
9	5872	Thali - Plate Basket SS	370 x 535 x 150 mm
10	5873	Thali - Plate Basket SS	370 x 535 x 200 mm
11	5874	Thali - Plate Basket SS	420 x 535 x 150 mm
12	5875	Thali - Plate Basket SS	420 x 535 x 200 mm
13	5876	Thali - Plate Basket SS	470 x 535 x 150 mm
14	5877	Thali - Plate Basket SS	470 x 535 x 200 mm
15	5878	Thali - Plate Basket SS	520 x 535 x 150 mm
16	5879	Thali - Plate Basket SS	520 x 535 x 200 mm
17	5728	Thali - Plate Basket SS	370 x 585 x 150 mm
18	5729	Thali - Plate Basket SS	370 x 585 x 200 mm
19	5730	Thali - Plate Basket SS	420 x 585 x 150 mm
20	5731	Thali - Plate Basket SS	420 x 585 x 200 mm
21	5732	Thali - Plate Basket SS	470 x 585 x 150 mm
22	5733	Thali - Plate Basket SS	470 x 585 x 200 mm
23	5734	Thali - Plate Basket SS	520 x 585 x 150 mm
24	5735	Thali - Plate Basket SS	520 x 585 x 200 mm

THALI - PLATE BASKET - SS 304

Sr.No.	Code	Product Description	Size
1	6163	Thali - Plate Basket SS 304	370 x 485 x 150 mm
2	6164	Thali - Plate Basket SS 304	370 x 485 x 200 mm
3	6165	Thali - Plate Basket SS 304	420 x 485 x 150 mm
4	6166	Thali - Plate Basket SS 304	420 x 485 x 200 mm
5	5915	Thali - Plate Basket SS 304	470 x 485 x 150 mm
6	5916	Thali - Plate Basket SS 304	470 x 485 x 200 mm
7	6167	Thali - Plate Basket SS 304	520 x 485 x 150 mm
8	6168	Thali - Plate Basket SS 304	520 x 485 x 200 mm

TWO SHELF PULL OUT - SS

Sr.No.	Code	Product Description	Size
1	6141	Two Shelf Pull Out SS	150 x 485 x 430 mm
2	6142	Two Shelf Pull Out SS	200 x 485 x 430 mm

TWO SHELF PULL OUT - SS 304

Sr.No.	Code	Product Description	Size
1	6169	Two Shelf Pull Out SS 304	150 x 485 x 430 mm
2	6170	Two Shelf Pull Out SS 304	200 x 485 x 430 mm

THREE SHELF PULL OUT - SS

Sr.No.	Code	Product Description	Size
1	6143	Three Shelf Pull Out SS	150 x 485 x 530 mm
2	6144	Three Shelf Pull Out SS	200 x 485 x 530 mm

THREE SHELF PULL OUT - SS 304

Sr.No.	Code	Product Description	Size
1	6171	Three Shelf Pull Out SS 304	150 x 485 x 530 mm
2	6172	Three Shelf Pull Out SS 304	200 x 485 x 30 mm

GRAIN TROLLEY - SS

Sr.No.	Code	Product Description	Size
1	6145	Grain Trolley - SS	375 x 485 x 350 mm
2	6146	Grain Trolley - SS	425 x 485 x 350 mm
3	5909	Grain Trolley - SS	470 x 485 x 350 mm
4	6147	Grain Trolley - SS	525 x 485 x 350 mm

GRAIN TROLLEY- SS 304

Sr.No.	Code	Product Description	Size
1	6173	Grain Trolley - SS 304	375 x 485 x 350 mm
2	6174	Grain Trolley - SS 304	425 x 485 x 350 mm
3	5917	Grain Trolley - SS 304	470 x 485 x 350 mm
4	6175	Grain Trolley - SS 304	525 x 485 x 350 mm

MIDWAY

Sr.No.	Code	Product Description
1	4970	Hanging Spice Rack
2	4971	Hanging paper & foil holder with cutter
3	4974	Hanging Multipurpose Double Rack
4	4981	Hanging Corner Rack
5	4982	Tube Holder Kit
6	4983	Tube - 2Ft
7	4984	Tube - 3Ft
8	4985	Tube - 4Ft
9	4803	Hanging Multipurpose Single Rack

MIDWAY SERIES





Glass Jar



Spice Jar



Glass Tin

HANGING SPICE RACK

Key Features:

- SS with chrome
- Three shelf spaces
- Hanging type mechanism
- PVC bush at the end

Product Code

4970

Benefits:

- Appealing bright finish and rust resistance
- Sufficient storage space
- Easy to install and remove
- To avoid sharp edges and acts as cushion on the wall

Application:

- Spice jars
- Small bottles.



Glass Jar



Spice Jar



Glass Tin



Paper Napkin

HANGING PAPER & FOIL CUTTER

Key Features:

- SS with chrome
- Three shelf spaces
- Hanging type mechanism
- Sharp and concealed cutting device
- PVC bush at the end

Product Code

4971

Benefits:

- Appealing bright finish and rust resistance
- Sufficient storage space
- Easy to install and remove
- To give exact size of sheet from roll and to cutting device avoid hurting of hand
- To avoid sharp edges and acts as cushion on the wall

Application:

- Aluminum folio holder and cutter
- Shrink rack holder and cutter
- Tissue paper holder
- Napkin holder

HANGING MULTIPURPOSE DOUBLE RACK

Key Features:

- SS with chrome
- Two shelf spaces
- Hanging type mechanism
- Border base

Product Code

4974

Benefits:

- Appealing bright finish and rust resistance
- Sufficient storage space
- Easy to install and remove
- Can accommodate bigger bottles in kitchen

Application:

- Sauce bottles
- Sugar bottles
- Salt bottles



Glass Jar



Spice Jar



Glass Tin



Paper Napkin

HANGING MULTIPURPOSE SINGLE RACK

Key Features:

- SS with chrome
- Two shelf spaces
- Hanging type mechanism
- Border base

Product Code

4803

Benefits:

- Appealing bright finish and rust resistance
- Sufficient storage space
- Easy to install and remove
- Can accommodate bigger bottles in kitchen

Application:

- Sauce bottles
- Sugar bottles
- Salt bottles



Glass Jar



Spice Jar

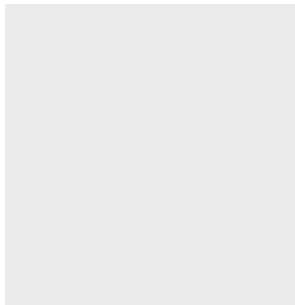


Glass Tin



Paper Napkin

HANGING CORNER RACK



Small
Glass Jar



Small
Glass Bottles

Key Features:

- SS with chrome
- Three shelf spaces
- Hanging type mechanism
- Triangular shape

Product Code

4981

Benefits:

- Appealing bright finish and rust resistance
- Sufficient storage space
- Easy to install and remove
- Can accommodate in kitchen corners

Application:

- Ideal for storing necessary items in kitchen corners
- kitchen food bottles

TUBE HOLDER KIT



Key Features:

- Tube holder in brass
- SS with chrome

Product Code

4982

Benefits:

- Solid grip and long life
- Appealing bright finish and rust resistance

Application:

- Suitable for hanging
Godrej Kitchen fittings Mid Way Range

TUBE - 2FT / 3FT / 4FT

Key Features:

- SS with chrome tube

Product Code

4983 / 4984 / 4985

Benefits:

- Appealing bright finish and rust resistance

Application:

- Suitable for hanging
Godrej Kitchen fittings Mid Way Range

ACCESSORIES



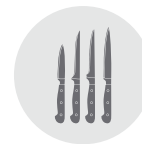
ACCESSORIES



Spoons
Spatulas



Spoon &
Fork



Knives



Scissors

CUTLERY ORGANIZER

Key Features:

- Arrange cutlery properly in the Ergo box
- Maintain neatness in the drawer
- Ergonomically accessible and optimum utilization of space

Application:

- Organising drawer

Usage:

- Compartmentalising cutlery

Cutlery Organizer for
width 450 mm

Product Code : 6586

Cutlery Organizer for
width 600 mm

Product Code : 6587

Cutlery Organizer for
width 900 mm

Product Code : 6416

Sr. No.	Product Code	Description	Specification WxDxH mm	Suitable Cabinet Size (mm)
1	6586	Cutlery Organizer for width 450mm	390x490x45	450
2	6587	Cutlery Organizer for width 600mm	540x490x45	600
3	6416	Cutlery Organizer for width 900mm	840x490x40	900

ACCESSORIES



Spoons
Spatulas



Spoon & Fork

CUTLERY INSERTS

Key Features:

- Arrange cutlery properly in the Ergo box
- Maintain neatness in the drawer
- Ergonomically accessible and optimum utilization of space
- Single line and triple line for customising as per requirements

Application:

- Organising drawer

Usage:

- Compartmentalising cutlery

Single Cutlery Inserts

500 mm

Product Code : 6406

Single Cutlery Inserts

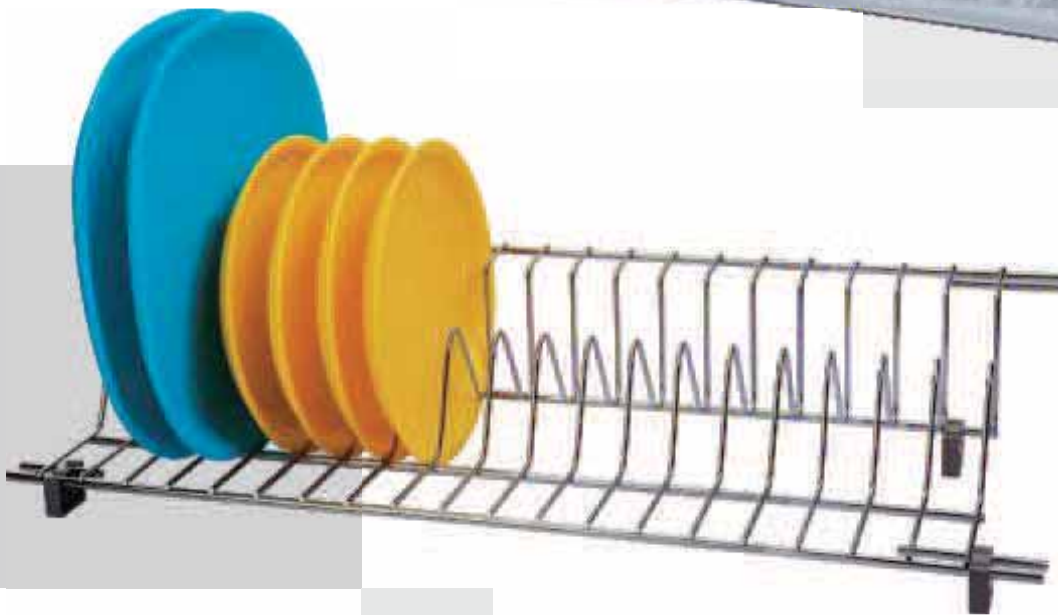
550 mm

Product Code : 6407

Triple Cutlery Inserts

500 mm

Product Code : 6408



Plates



Glass

GLASS TRAY PLATE TRAY

Key Features:

- Designed to accommodate wet glasses, plates & guides water drainage
- Drip tray ensures easy water accumulation & removal

Application:

- Organizing Glass & Plates in top cabinets

Usage:

- Plates & Glass

Glass Tray Plate Tray SS

535mm

Product Code : 5795

Glass Tray Plate Tray SS

610mm

Product Code : 5796

ACCESSORIES



WASTE BIN

Key Features:

Collect waste hygienically

Plastic inner bucket with SS on the outer side

Capacity: 14 Litres

Application:

Under the sink

Usage:

Collect kitchen waste

Waste Bin 14 Litres Black SS

Product Code : 6495

WASTE BIN HOLDER



Waste-Bin Holder SS

Product Code : 5798

Waste-Bin Shuttled SS

Product Code : 5799

Cylinder Trolley

Product Code : 5800



ACCESSORIES



SKID-FREE MAT

Key Features:

Skid-free mat to avoid collision between dishes, cutleries, utensils, etc.
Avoid water-related damage to drawer bottoms

Usage:

Protecting bottom of drawers

Skid-Free Mat 470 x 5000 mm Grey

Product Code : 6484

Baan Code : LKYSFM470

Skid-Free Mat 520 x 5000 mm Grey

Product Code : 6585

Baan Code : LKYSFM520

Skid-Free Mat

470 x 5000 mm Grey

Product Code : 6484

Skid-Free Mat

520 x 5000 mm Grey

Product Code : 6585

*Dimensions are : W x H

CHANNELS



DRAWER CHANNELS

MOVINO CHANNEL FOR WOODEN DRAWER



Key Features:

- Easy to install
- Precise soft closing mechanism for smooth closing of baskets
- Low maintenance slides
- Load-bearing capacity: 30 kg

Application:

Under the drawers

Usage:

For smooth motion of wooden drawers

Movino Drawer
Channel 300 mm
Product Code : 6579

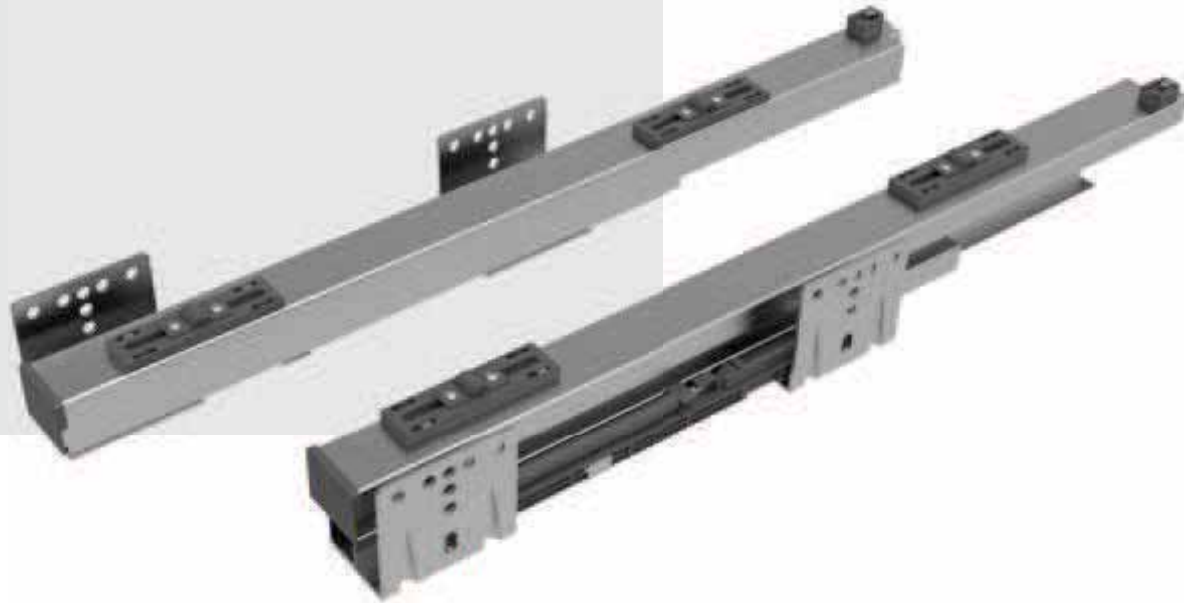
Movino Drawer
Channel 350 mm
Product Code : 6580

Movino Drawer
Channel 400 mm
Product Code : 6581

Movino Drawer
Channel 450 mm
Product Code : 6582

Movino Drawer
Channel 500 mm
Product Code : 6583

MOVINO CHANNEL FOR BASKET



Key Features:

- Easy to install
- Precise soft closing mechanism for smooth closing of baskets
- Low maintenance slides
- Load-bearing capacity: 30 kg

Application:

Under the drawers

Usage:

For smooth motion of wooden drawers

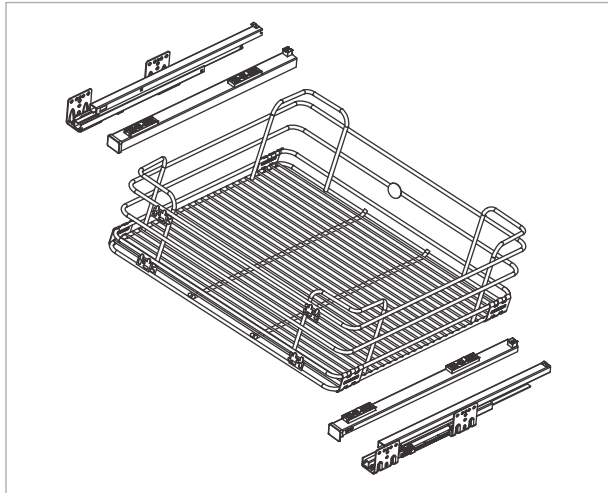
Movino Drawer Channel 500 mm for Basket

Product Code : 5919

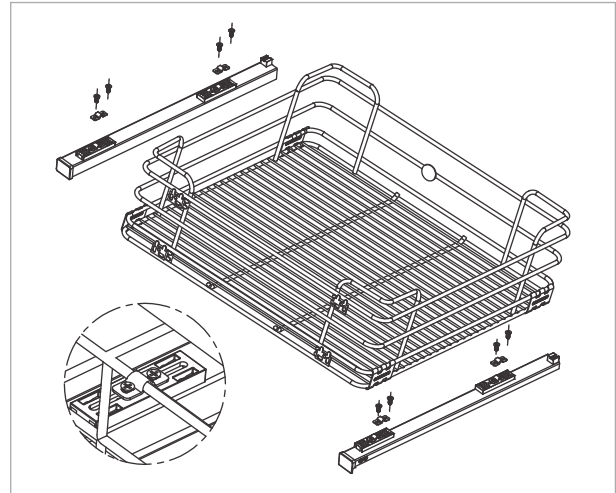
MOVINO CHANNEL FOR BASKET DRAWERS

Installation Instructions

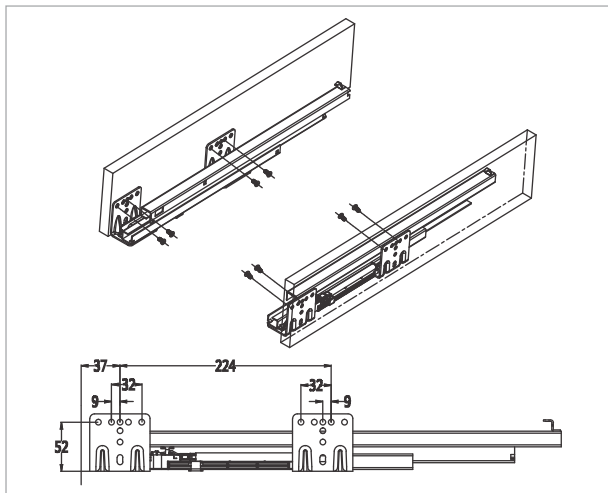
Movino Basket Channel and Cover



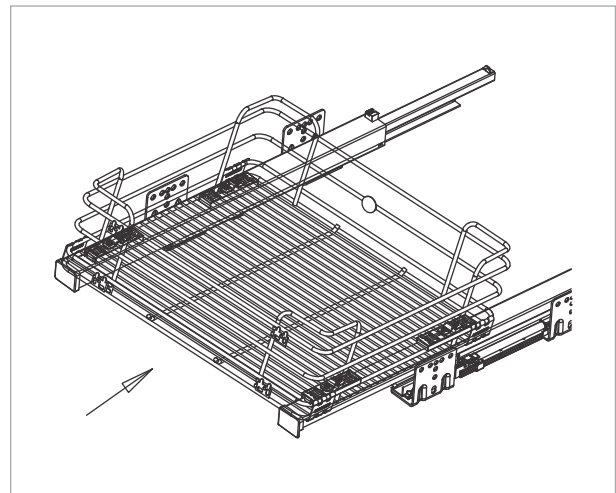
1. Dismantle the metal clip and fix it on wire of basket with cover on bottom of basket.



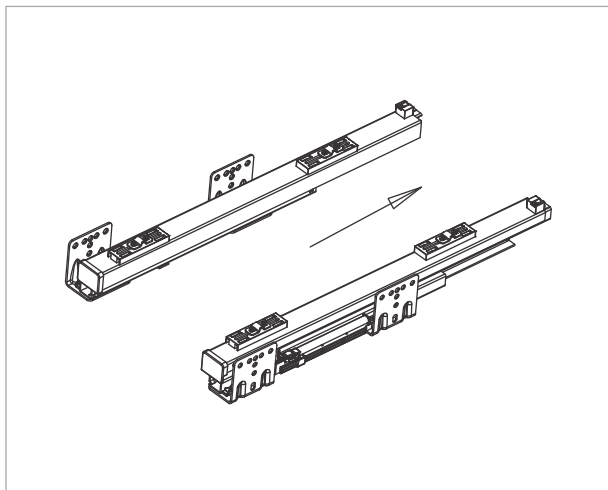
2. Install the slide to the cabinet.



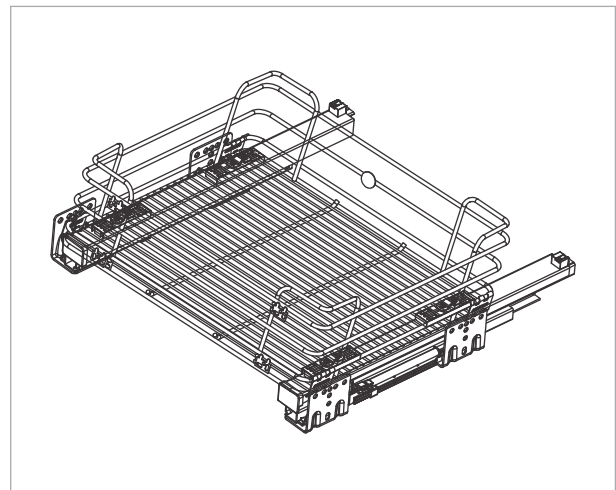
3. Put the wire basket onto the slide and push inside.



4. Check the slide and cover is be matched in good position.



5. Check status of finished assembled basket, slide and cover before use.



BALL BEARING DRAWER CHANNEL



Key Features:

- Manufactured from high-grade steel for longevity
- Special anti-rebound function
- Load-bearing capacity: 45 kg
- Latch for easy removal of drawer
- Zinc-plated for corrosion resistance

Ball Bearing Drawer Channel
250 mm (10")

Product Code : 8173

Ball Bearing Drawer Channel
400 mm (16")

Product Code : 8176

Ball Bearing Drawer Channel
550 mm (22")

Product Code : 8179

Ball Bearing Drawer Channel
300 mm (12")

Product Code : 8174

Ball Bearing Drawer Channel
450 mm (18")

Product Code : 8177

Ball Bearing Drawer Channel
600 mm (24")

Product Code : 8180

Ball Bearing Drawer Channel
350 mm (14")

Product Code : 8175

Ball Bearing Drawer Channel
500 mm (20")

Product Code : 8178

BALL BEARING DRAWER CHANNEL - BLACK POWDER COATED



Key Features:

- Manufactured from high-grade steel for longevity
- Special anti-rebound function
- Load-bearing capacity: 45 kg
- Latch for easy removal of drawer
- Powder coated for High Corrosion Resistance

Ball Bearing Drawer Channel

250 mm (10")

Product Code : 7831

Ball Bearing Drawer Channel

400 mm (16")

Product Code : 7834

Ball Bearing Drawer Channel

550 mm (22")

Product Code : 7837

Ball Bearing Drawer Channel

300 mm (12")

Product Code : 7832

Ball Bearing Drawer Channel

450 mm (18")

Product Code : 7835

Ball Bearing Drawer Channel

600 mm (24")

Product Code : 7838

Ball Bearing Drawer Channel

350 mm (14")

Product Code : 7833

Ball Bearing Drawer Channel

500 mm (20")

Product Code : 7836

SOFT CLOSING DRAWER CHANNEL



Key Features:

- Precision mechanism for smooth operation
- Special anti-rebound function
- Load-bearing capacity: 35 kg
- Latch for easy removal of drawer
- Zinc-plated for corrosion resistance

Soft Closing Drawer Channel
300 mm (12")
Product Code : 7083

Soft Closing Drawer Channel
450 mm (18")
Product Code : 7086

Soft Closing Drawer Channel
600 mm (24")
Product Code : 7089

Soft Closing Drawer Channel
350 mm (14")
Product Code : 7084

Soft Closing Drawer Channel
500 mm (20")
Product Code : 7087

Soft Closing Drawer Channel
400 mm (16")
Product Code : 7085

Soft Closing Drawer Channel
500 mm (22")
Product Code : 7088

HEAVY DUTY DRAWER CHANNEL



Key Features:

- Heavy duty application
- Load-bearing capacity: 125 kg
- Full extension of drawer for ease in storage
- Latch for easy removal of drawer
- Zinc-plated for corrosion resistance

Heavy Duty Drawer Channel
450 mm (18")
Product Code : 6901

Heavy Duty Drawer Channel
600 mm (24")
Product Code : 6904

Heavy duty Drawer Channel
750 mm (30")
Product Code : 6907

Heavy Duty Drawer Channel
500 mm (20")
Product Code : 6902

Heavy Duty Drawer Channel
650 mm (26")
Product Code : 6905

Heavy Duty Drawer Channel
800 mm (32")
Product Code : 6908

Heavy Duty Drawer Channel
550 mm (22")
Product Code : 6903

Heavy Duty Drawer Channel
700 mm (28")
Product Code : 6906

Heavy Duty Drawer Channel
800 mm (36")
Product Code : 6998

CABINET HINGES



SLIP ON CABINET HINGE - REGULAR



Key Features:

- Concealed hinges for easy installation
- Wide opening angle for easy storage in cabinet
- Nickel-plated for corrosion resistance
- Tested to BIFMA Standards
- Maximum shutter size: 34"x 22" for 2 hinges
- Suitable for cabinet doors from 15 mm to 22 mm thickness
- Shutter cavity: ϕ 35 mm, 11.5 mm deep

Slip on Cabinet Hinge

Full Overlay - 2 Holes

Product Code : 7213

Slip on Cabinet Hinge

Half Overlay - 2 Holes

Product Code : 7214

Slip on Cabinet Hinge

Inset - 2 Holes

Product Code : 7215

Slip on Cabinet Hinge

Full Overlay - 4 Holes

Product Code : 6933

Slip on Cabinet Hinge

Half Overlay - 4 Holes

Product Code : 6934

Slip on Cabinet Hinge

Inset - 4 Holes

Product Code : 6935

CLIP ON CABINET HINGE - SOFT CLOSE



Key Features:

- Specially designed cylinder for smooth closing of shutters
- Provides ease in maintenance of cabinet
- Clip on mechanism for easy installation and removal of shutters
- Wide opening angle for easy storage in cabinet
- Covers provided to avoid dust
- Nickel-plated for corrosion resistance
- Tested to BIFMA standards
- Maximum shutter size: 34" x 22" for 2 hinges
- Suitable for cabinet doors from 15 mm to 22 mm thickness
- Shutter cavity : ϕ 35 mm, 11.5 mm deep

Clip on Cabinet Hinge

Full Overlay

Product Code : 7216

Clip on Cabinet Hinge

Half Overlay

Product Code : 7217

Clip on Cabinet Hinge

Inset

Product Code : 7218

CLIP ON CABINET HINGE - REGULAR



Key Features:

- Clip on mechanism for easy installation and removal of shutters
- Provides ease in maintenance of cabinet
- Wide opening angle for easy storage in cabinet
- Nickel-plated for corrosion resistance
- Tested to BIFMA standards
- Maximum shutter size: 34" x 22" for 2 hinges
- Suitable for cabinet doors from 15 mm to 22 mm thickness
- Shutter cavity: ϕ 35 mm, 11.5 mm deep

Clip on Cabinet Hinge
Regular - Full Overlay
Product Code : 7098

Clip on Cabinet Hinge
Regular - Half Overlay
Product Code : 7099

Clip on Cabinet Hinge
Regular - Inset
Product Code : 7100

THICK DOOR CABINET HINGE - SOFT CLOSE

SOFT
CLOSE



Key Features:

- Suitable for thick panels
- Clip on Mechanism
- Wide opening angle for easy storage in cabinet
- Nickel-plated for corrosion resistance
- Maximum shutter size: 34" x 22" for 2 hinges
- Suitable for cabinet doors from 18 mm to 32 mm thickness
- Shutter cavity: ϕ 40 mm, 13.5 mm deep

Thick Door Cabinet Hinge

Regular - Full Overlay

Product Code : 7095

Thick Door Cabinet Hinge

Regular - Half Overlay

Product Code : 7096

Thick Door Cabinet Hinge

Regular - Half Overlay

Product Code : 7097

BLIND CORNER CABINET HINGE



Key Features (Regular) :

- Suitable for panels with blind corners
- Wide opening angle for easy storage in cabinet.
- Nickel-plated for corrosion resistance.
- Maximum shutter size : 34" x 22" for 2 hinges.
- Suitable for cabinet doors from 15 mm to 22 mm thickness
- Shutter cavity: ϕ 35 mm, 11.5 mm deep

Blind Corner Cabinet Hinge - Soft

Product Code : 7091

Key Features (Soft) :

- Suitable for panels with blind corners
- Specially designed cylinder for smooth closing of shutters
- Wide opening angle for easy storage in cabinet
- Nickel-plated for corrosion resistance.
- Maximum shutter size: 34" x 22" for 2 hinges
- Suitable for cabinet doors from 15 mm to 22 mm thickness
- Shutter cavity: ϕ 35 mm, 11.5 mm deep

Blind Corner Cabinet Hinge - Regular

Product Code : 7092

PI CORNER CABINET HINGE



Key Features:

- Suitable for Pie Corners in kitchen or other application.
- Precision simultaneous operation for ease of access
- Nickel-plated for corrosion resistance
- Maximum shutter size: 34" x 22" for 2 hinges
- Suitable for cabinet doors from 15 mm to 22 mm thickness
- Shutter cavity: ϕ 35 mm, 11.5 mm deep


Cabinet Hinge BI Fold
(PI Corner) 2 Regular
Product Code : 6840

Cabinet Hinge 165 degree
(PI Corner) 1 Regular
Product Code : 6841

Installation videos available on YouTube



Godrej & Boyce Mfg. Co. Ltd.
Locking Solutions and Systems Division, Plant 18 A,
Pirojshnagar, Vikhroli, Mumbai - 400 079. India.
Tel : +91-22-6796 4890
Fax : +91-22-6796 1510-11
Email : locksmkt@godrej.com
Website : www.godrejkitchenfittings.com

 Toll Free No. 1800 209 4543

Disclaimer : The Visuals/ Specifications of the products shown and other information in this catalogue are subject to change and Godrej reserves the right to make such amendments without notice.